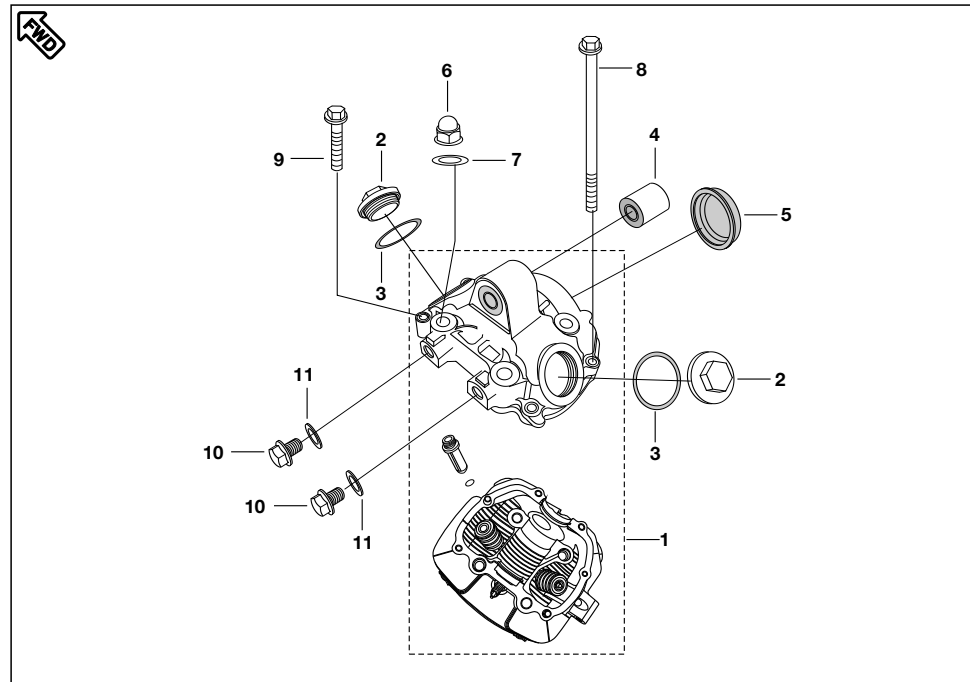
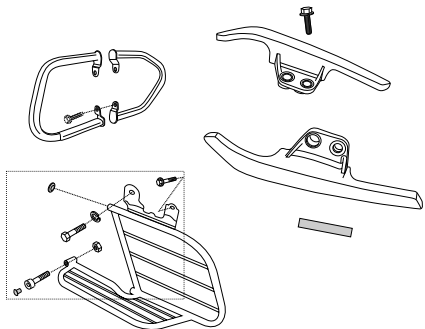


PLATE NO. : 55

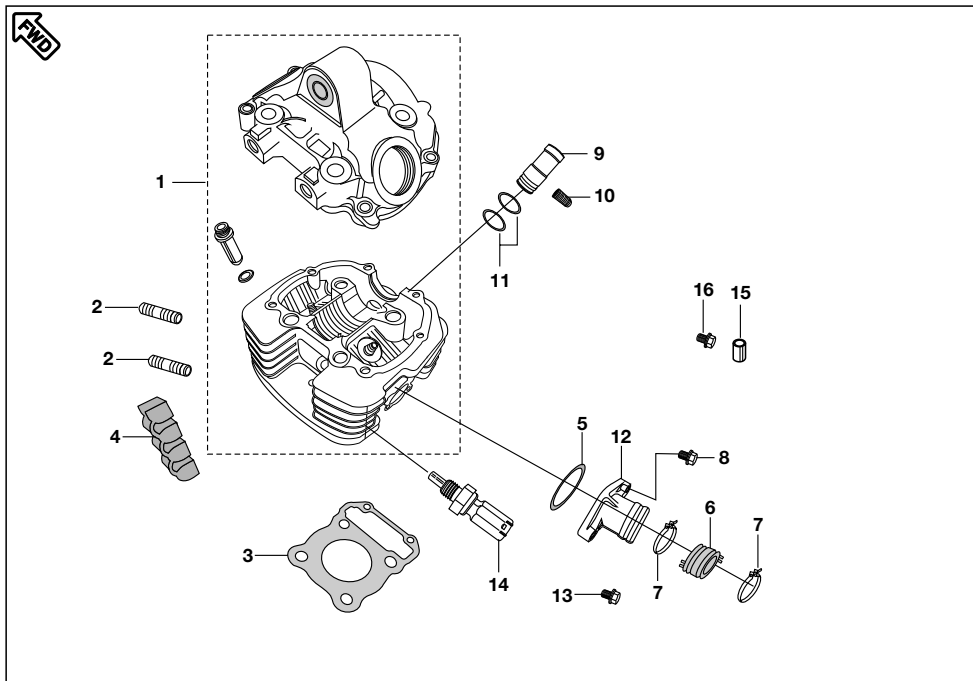
PAGE NO.:

ACCESSORIES / GRAB HANDLE

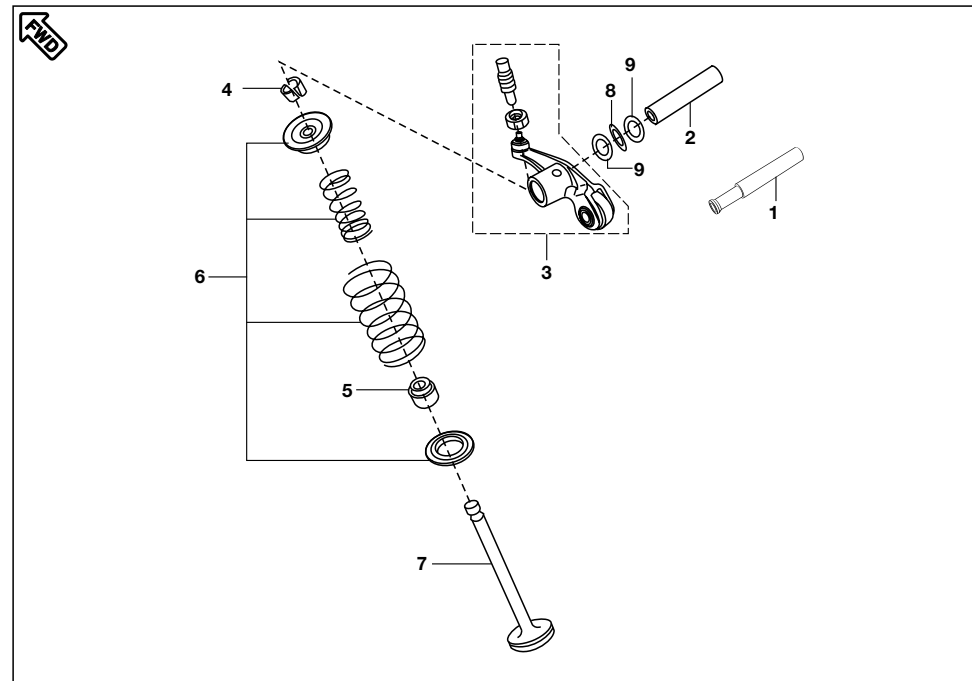
67



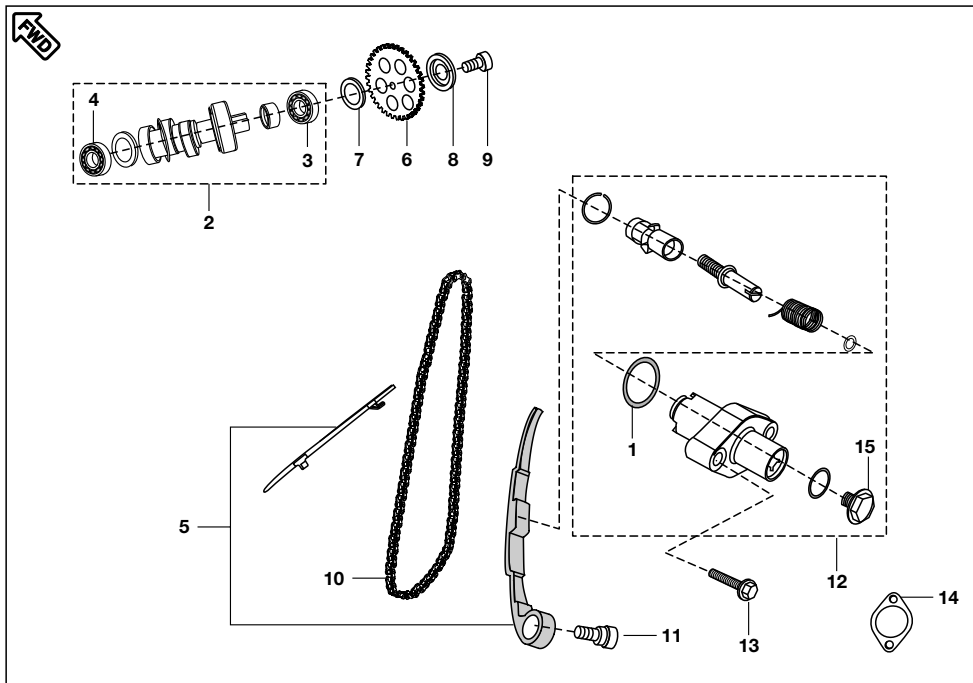
No.	Part No.	Description	Qty/ Veh.	Remarks
1	DK 1016 07	Head Cylinder with Cover	1	
2	52 JN01 36	Cover Tappet	2	
3	36 DS10 01	Cyl. Head 'O' Ring Kit	1	Ref. page no. 68
4	DS 1011 66	Silent Bush (V)	1	
5	DS 1010 96	Camshaft Cap	1	
6	39 2647 15	Domed Cap Nut	4	
7	DS 1010 84	Copper gasket	4	
8	59 0400 23	Hex. Bolt with Flange	2	
9	39 1075 04	Hex. Bolt with Flange	4	
10	DH 1012 72	Plug	2	
11	DG 1014 98	Gasket	2	



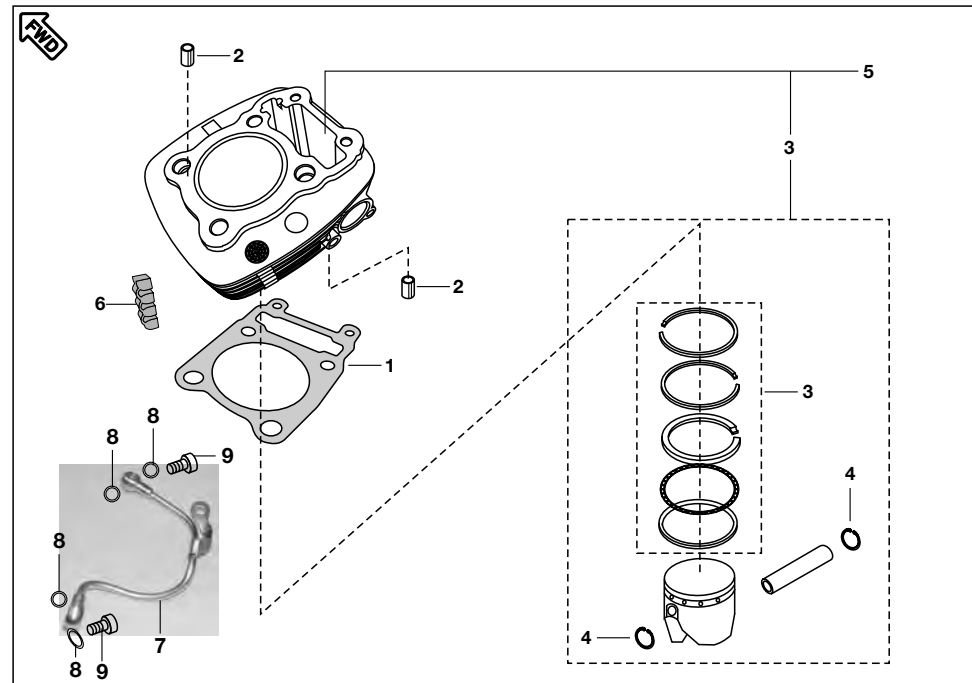
No.	Part No.	Description	Qty/ Veh.	Remarks
1	DK 1016 07	Head Cylinder with Cover	1	
	36 DK00 90	Head Cylinder with Cover	1	(W/o NRB) from Eng. BUF67894
2	59 0500 02	Stud (Exhaust)	2	
3	DK 1010 03	Gasket Cylinder Head	1	
4	DH 1015 08	Damper Cylinder Head	5	
5	39 1283 21	'O' Ring (Intake Pipe)	1	
6	JC 1200 18	Insulator	1	
7	DH 1210 38	Clamp for Insulator	2	
8	39 1674 04	Hex. Bolt / Flange	2	(F)
9	DH 1110 12	Sleeve - Spark Plug	1	
10	39 2608 01	Grub Screw	1	For Sleeve Spark Plug
11	36 DS10 01	Cyl. Head 'O' Ring Kit	1	Ref. page no. 68
12	JC 1200 17	Manifold	1	
13	39 1075 04	Hex bolt	1	
14	DK 1015 03	Engine temperature sensor	1	
15	39 2181 06	Dowel	2	
16	39 1759 04	Bolt	1	



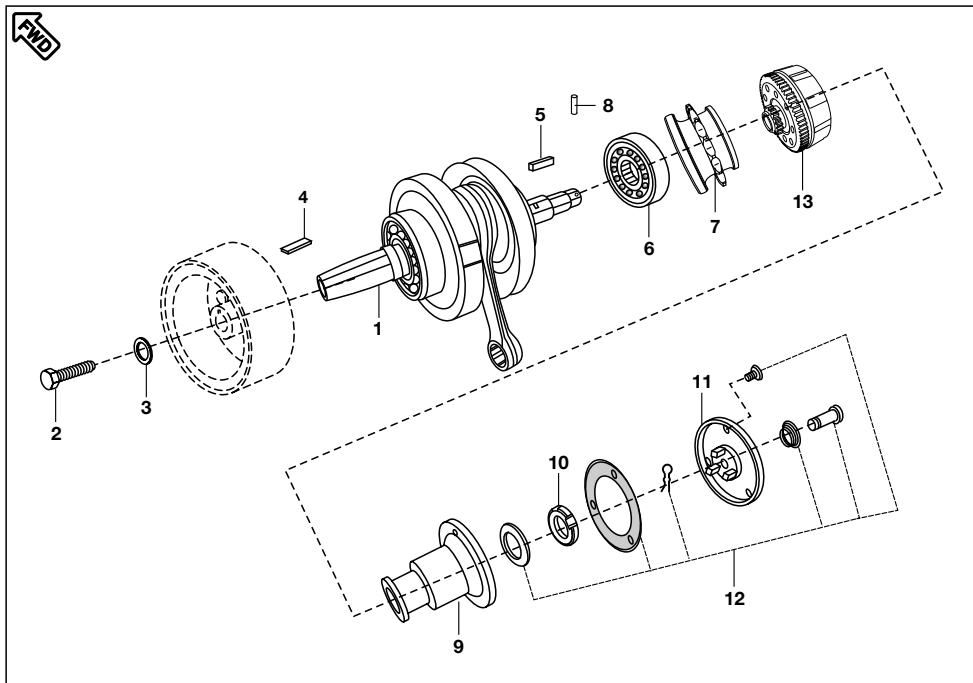
No.	Part No.	Description	Qty/ Veh.	Remarks
1	DS 1013 35	Rocker Arm Shaft - Intake	1	
	DK 1017 48	Rocker Arm Shaft - Intake	1	(W/o NRB) from Eng. BUF67894
2	DS 1013 36	Rocker Arm Shaft - Exhaust	1	
	DK 1017 51	Rocker Arm Shaft - Exhaust	1	(W/o NRB) from Eng. BUF67894
3	DS 1013 33	Rocker Arm with roller	2	
	DK 1017 55	Rocker Arm	2	(W/o NRB) from Eng. BUF67894
4	DG 1010 29	Collet	4	
5	39 2017 19	Seal valve stem	2	
6	DK 1013 26	Valve Repair Kit	1	Ref. page no. 68
7	DK 1013 27	Valve Kit (inlet + exhaust)	1	Ref. page no. 68
8	DS 1013 66	Wave washer	2	
	DH 1012 95	Wave washer	2	from Eng. BUF67894
9	59 1100 02	Plain washer	4	
	39 2440 11	Plain washer	4	from Eng. BUF67894



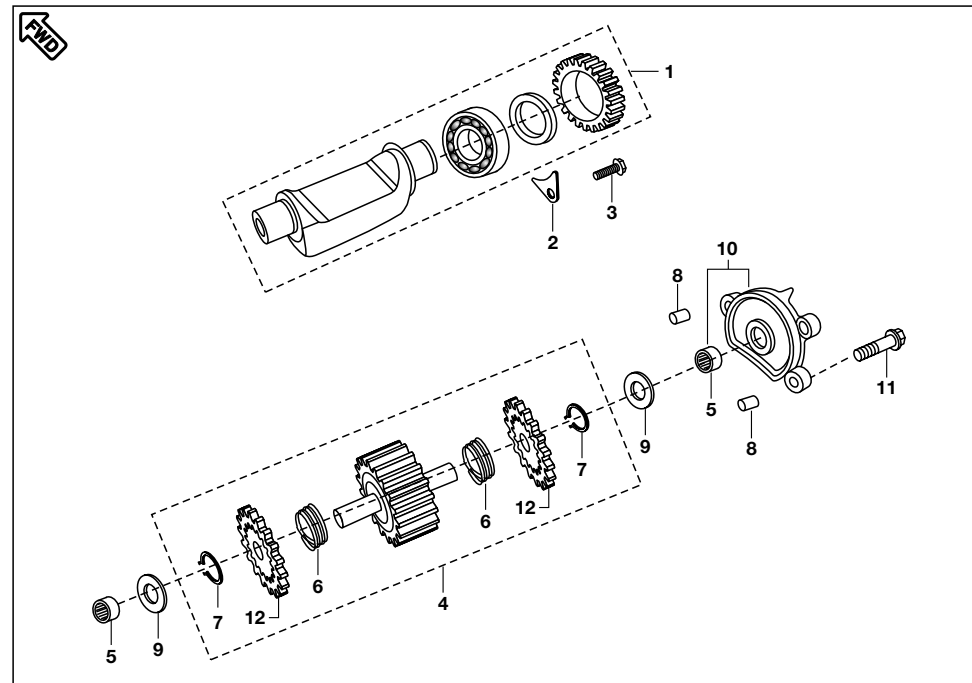
No.	Part No.	Description	Qty/ Veh.	Remarks
1	39 2669 21	Ring 'O'	1	
2	DK 1016 14	Camshaft Assembly	1	
3	JC 1010 86	Bearing cam RH side	1	
4	JC 1010 85	Bearing cam LH side	1	
5	DK 1013 30	Guide chain Kit	1	Ref. page no. 68
6	DS 1012 76	Sprocket cam Driven (32 T)	1	
7	DH 1014 12	Collar cam Sprocket	1	
8	DH 1010 48	Special camshaft washer	1	
9	DK 1013 86	Hex. Soc. Head cap Bolt	1	
10	DK 1010 64	Cam Chain (100 link)	1	
11	DH 1013 92	Cam chain Tensioner pivot Bolt	1	
12	JC 1010 34	Tensioner Assly	1	
13	39 1673 04	Hex Bolt / Flange	2	
14	CS 1011 28	Tensioner assly. gasket	1	
15	DD 1010 62	Bolt Flange	1	



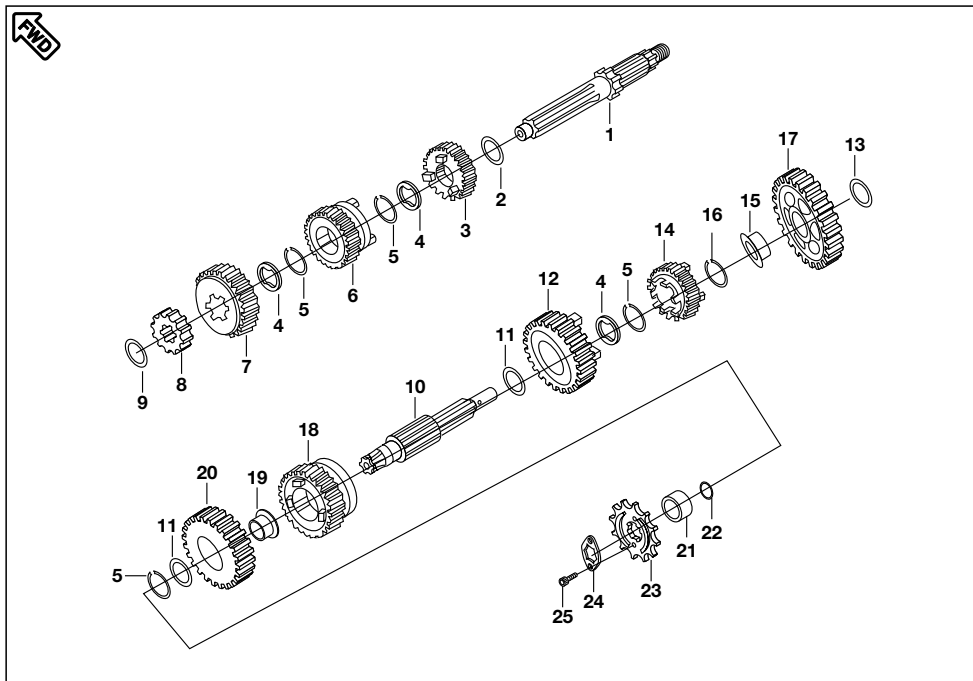
No.	Part No.	Description	Qty/ Veh.	Remarks
1	DK 1010 63	Gasket Cylinder	1	
2	39 2181 06	Pin dowel	4	
3	DK 1013 28	Ring Set Piston	1	Ref. page no. 68
4	39 2132 17	Ring Snap	2	
5	DK 1016 25	Cylinder Block / Piston Assly	1	
6	DH 1014 14	Damper	4	
7	DK 1015 92	Assembly Oil Pipe	1	
8	31 1210 06	Gasket	4	
9	DD 1210 07	Bolt	2	



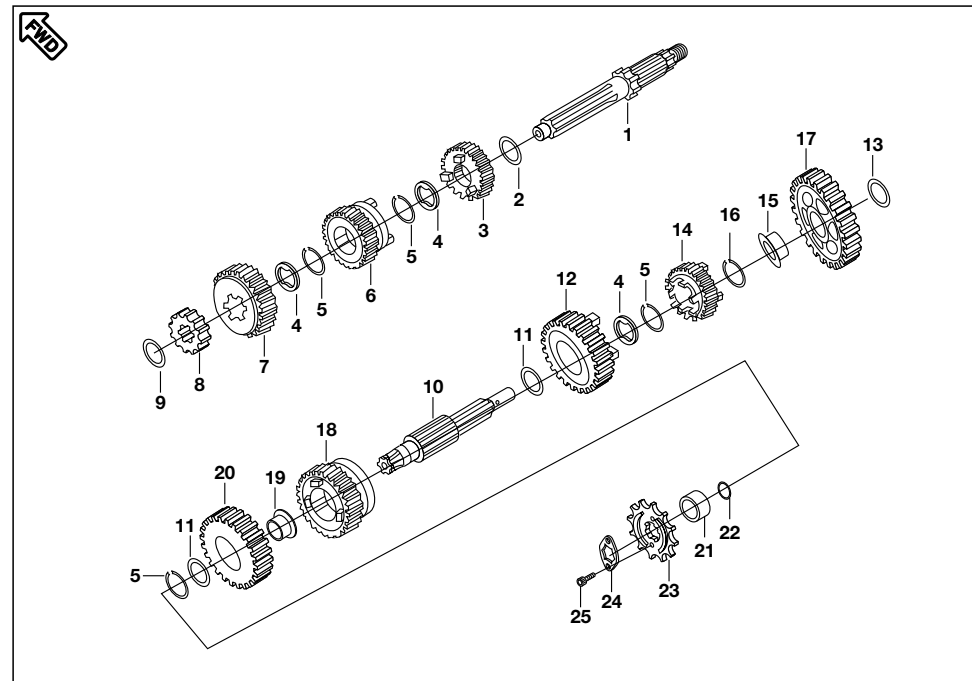
No.	Part No.	Description	Qty/ Veh.	Remarks
1	DK 1010 65	Crankshaft assly. comp.	1	
2	39 2183 04	Bolt primary drive lock	1	
3	39 2165 11	Plain washer	1	
4	31 1011 73	Key woodruff	1	
5	DS 1011 54	Square Key	1	
6	39 1931 20	Bearing Ball	1	
7	DK 101248	Sprocket cam drive (16 T)	1	
8	39 2203 07	Parallel pin	1	
9	DH 1010 64	Body centrifugal oil filter	1	
10	DH 1011 95	Nut	1	
11	DH 1010 65	Cover centrifugal oil filter	1	
12	36 DK00 07	Kit centrifugal oil filter	1	Ref. page no. 68
13	DK 1012 41	Housing comp. clutch	1	



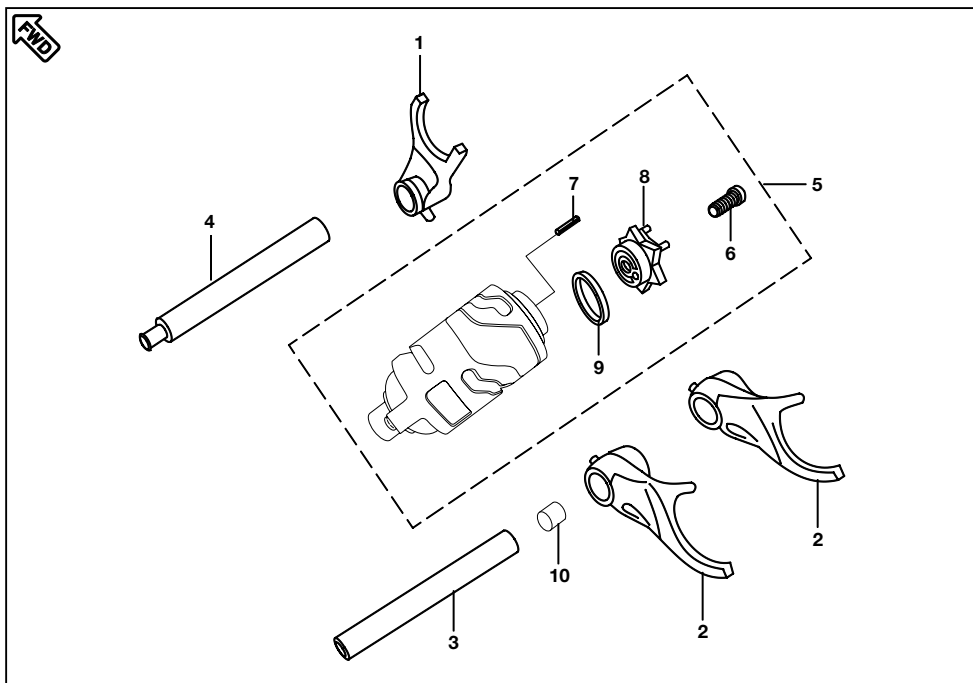
No.	Part No.	Description	Qty/ Veh.	Remarks
1	DK 1014 16	Body Balancer Assly.	1	
2	DH 1010 72	Bearing stopper	1	
3	39 1672 04	Bolt	1	
4	DH 1014 32	Assly. Balancer Idler Gear comp.	1	
5	39 2152 20	Needle roller bearing	2	
6	DH 1014 24	Spring torsion Balancer Idler	2	
7	39 2557 17	Circlip ext.	2	
8	39 1686 06	Dowel Pin	2	
9	39 1620 11	Spring steel washer	2	
10	52 DH01 77	Balancer Idler Holder	1	
11	39 1674 04	Hex bolt with flange	3	
12	DH 1013 73	Scissor balancer idler	2	



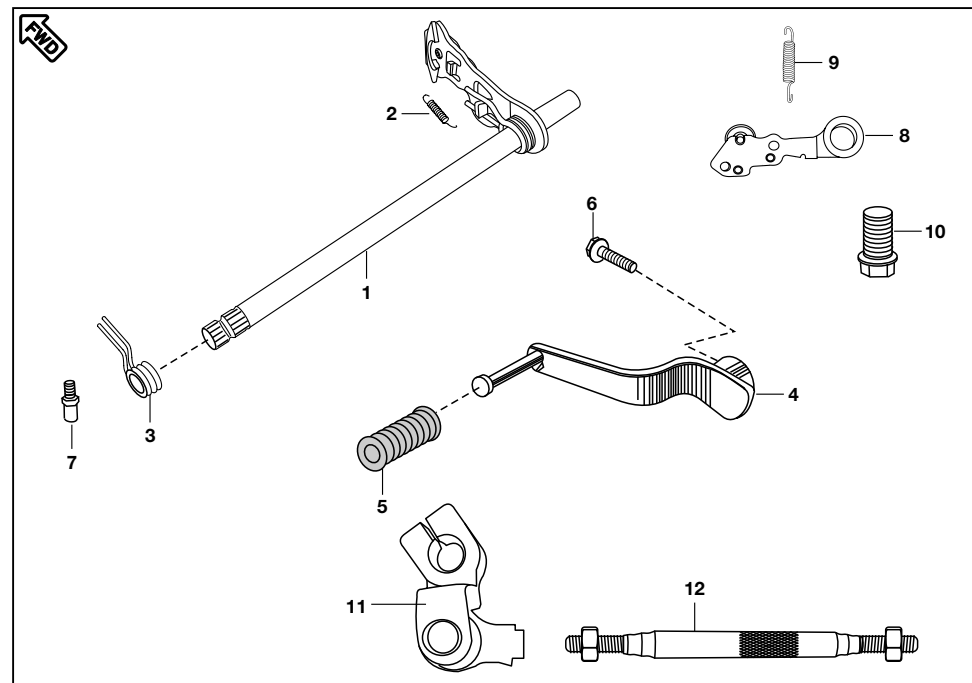
No.	Part No.	Description	Qty/ Veh.	Remarks
1	DK 1014 71	Shaft input transmission	1	
2	39 2158 11	Washer plain	2	
3	DK 1011 03	Gear 4th Drive	1	
4	DH 1010 79	Washer Spline	3	
5	DH 1012 35	External Circlip	4	
6	DK 1011 02	Gear 3rd Drive	1	
7	DK 1016 32	Gear 5th drive	1	
8	DH 1010 84	Gear 2nd drive	1	
9	39 2160 11	Plain washer	1	
10	DK 1011 44	Shaft output transmission	1	
11	39 2166 11	Washer Thrust	2	
12	DK 1011 05	Gear 3rd Driven	1	
13	DH 1010 79	Washer spline	2	
14	DK 1011 06	Gear 4th Driven	1	
	DK 1017 18	Gear 4th Driven	1	From Eng. No. BUC38650 Ref. Cir. D-41
15	DH 1011 11	Bush 1st driven	1	



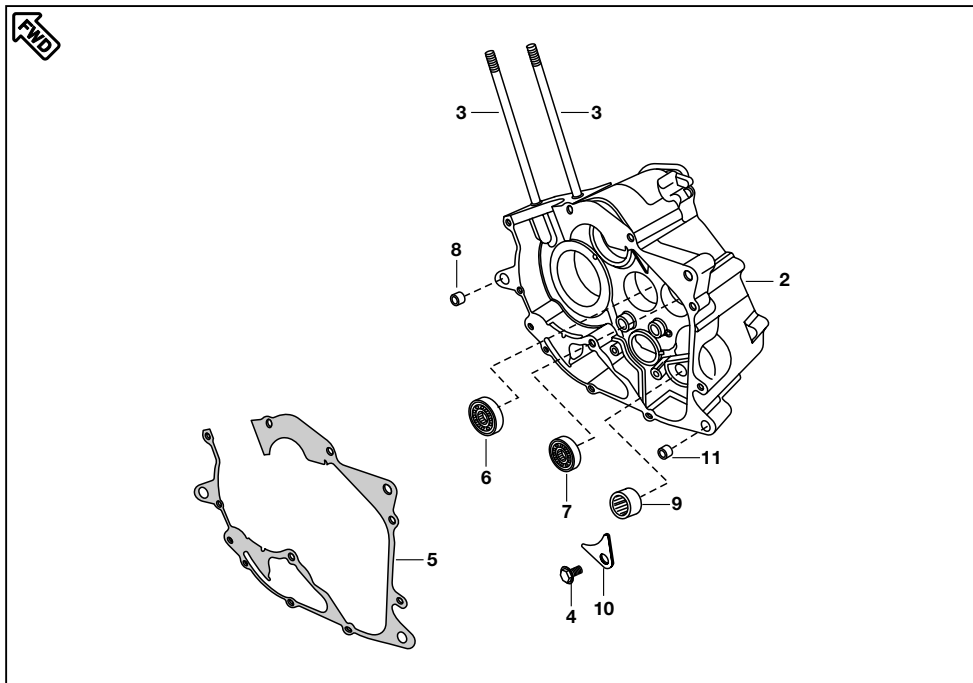
No.	Part No.	Description	Qty/ Veh.	Remarks
16	DH 1012 35	Circlip	1	
17	DK 1011 18	Gear 1st driven	1	
	DK 1017 17	Gear 1st driven	1	From Eng. No. BUC38650 Ref. Cir. D-41
18	DK 1016 33	Gear 5th Driven	1	
	DK 1017 20	Gear 5th Driven	1	From Eng. No. BUC38650 Ref. Cir. D-41
19	DH 1013 19	Bush 2nd driven	1	
20	DH 1013 33	Gear 2nd Driven	1	
	DK 1017 19	Gear 2nd Driven	1	From Eng. No. BUC38650 Ref. Cir. D-41
21	DK 1012 45	Collar Sprocket	1	
22	DK 1013 52	'O' Ring Sprocket Collar	1	
23	DV 1010 48	Sprocket Drive	1	
24	DJ 1010 63	Plate Drive Sprocket	1	
25	DJ 1013 00	Bolt flange	2	For Crankcase with circlip



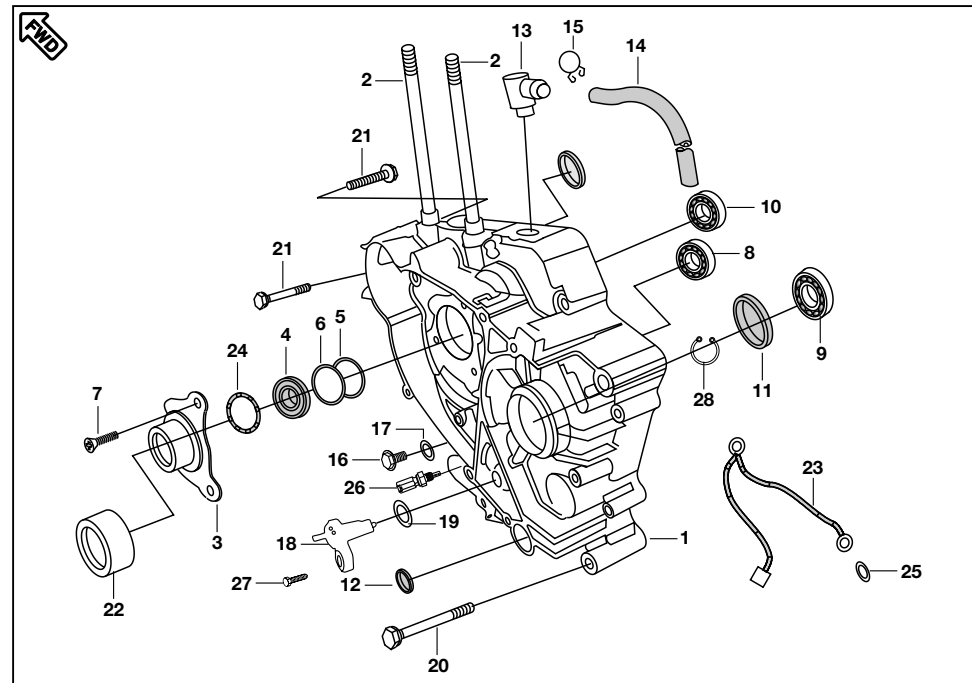
No.	Part No.	Description	Qty/ Veh.	Remarks
1	DK 1011 59	Fork Gear Shift Input	1	
2	DK 1011 60	Fork Gear Shift output	2	
3	DH 1011 46	Shaft Gear Shift Fork	1	
4	DH 1014 93	Shaft Gear Shift Fork	1	
5	DK 1013 82	Drum comp. Gear Shift	1	
	DK 1017 32	Drum comp. Gear Shift	1	From Eng. No. BUC38650 Ref. Cir. D-41
6	39 1197 04	Bolt Socket	1	
7	39 2606 07	Parallel pin	1	
8	DK 1013 61	Guide Gear Shifter	1	
9	DH 1014 96	Spacer	1	
10	DK 1011 35	Bush Fork Gear Shift	1	



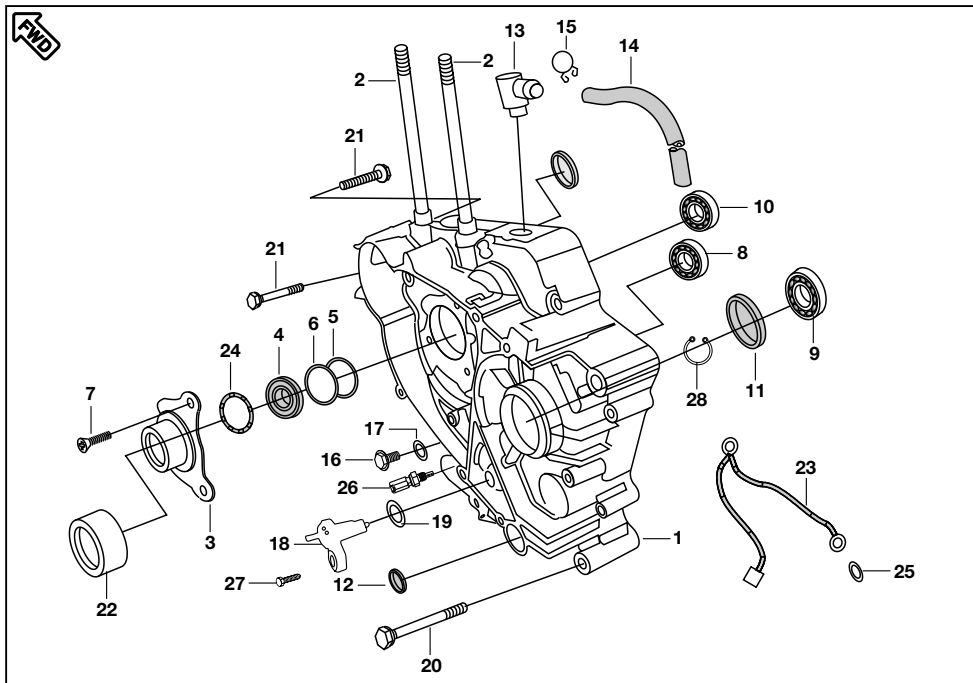
No.	Part No.	Description	Qty/ Veh.	Remarks
1	DK 1017 33	Lever comp. Gear Shifter	1	
2	DH 1011 43	Spring Slider Arm Reset	1	
3	DH 1011 44	Spring Gear Shifter Return	1	
4	DK 1011 82	Lever gear shift	1	
5	31 1011 08	Damper	1	
6	39 1902 04	Flanged Bolt	1	
7	DH 1013 93	Bolt Gear Shift drum Stopper	1	
8	DK 1017 25	Stopper Gear Shifter Drum	1	
9	DK 1012 53	Spring Gear Shifter Drum Stopper	1	
10	DH 1013 94	Bolt Shift Change	1	
11	DK 1011 77	Lever change arm	1	
12	DK 1011 80	Tie rod	1	



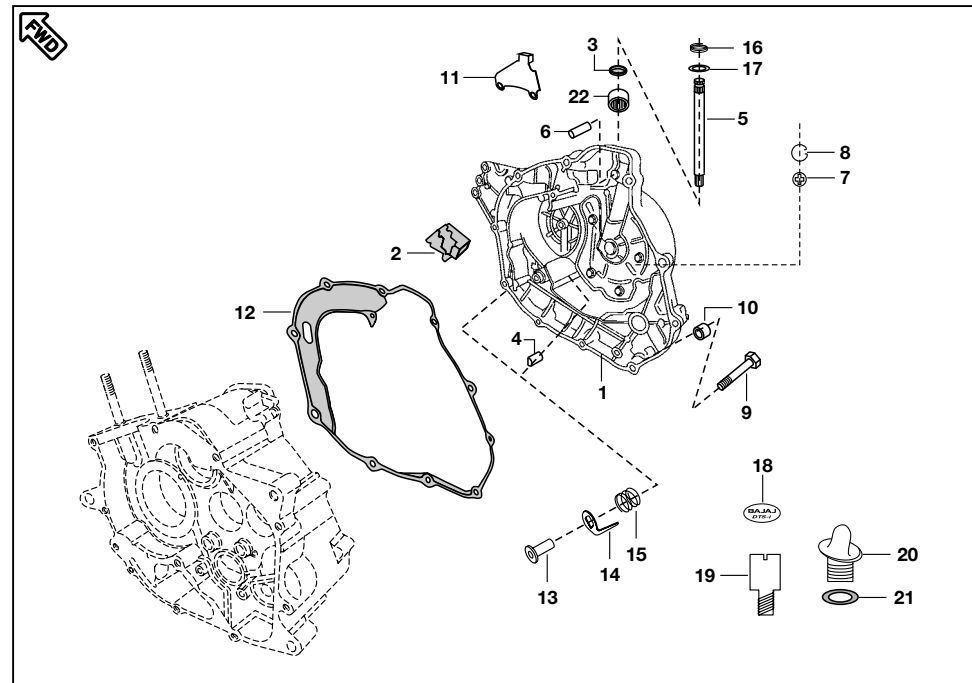
No.	Part No.	Description	Qty/ Veh.	Remarks
1	DK 1016 13	Engine Assly. with starter motor	1	N I
2	JC 1010 29	Crankcase RH	1	
3	59 0500 02	Stud	2	
4	DJ 1013 02	Bolt Flanged	1	
5	DH 1018 96	Gasket Crankcase	1	
6	39 2583 20	Bearing Ball (For Input shaft)	1	
7	59 2000 27	Bearing Ball (For Output shaft)	1	
8	39 2180 06	Dowel Pin	2	
9	39 2601 20	Needle Roller Bearing	1	(For Dr. Comp. Gear Shift)
10	DH 1014 87	Plate Stopper	1	
11	39 2181 06	Dowel Pin	2	



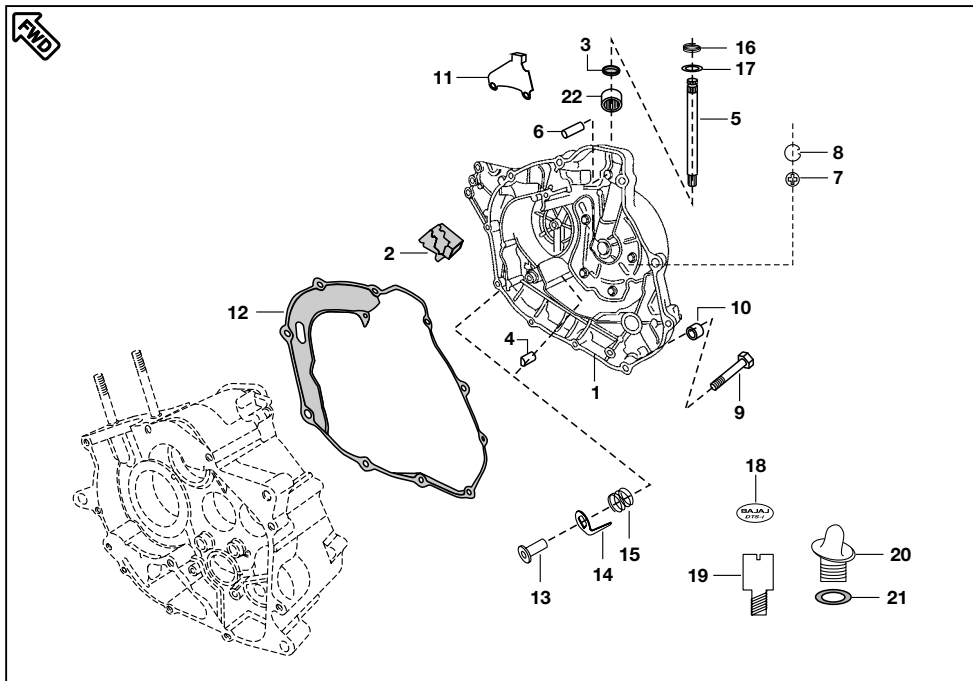
No.	Part No.	Description	Qty/ Veh.	Remarks
1	DK 1015 81	Crankcase LH	1	with banjo
2	59 0500 02	Stud	2	
3	DK 1010 94	Guide starter assly	1	
4	39 2188 19	Oil Seal	1	
5	59 2100 06	'O' Ring	1	
6	DK 1010 97	Damper	1	
7	39 0752 01	'C' Sunk Head Screw	3	
8	39 2603 20	Bearing Ball (For Input shaft)	1	
9	59 2000 06	Bearing Ball (For Output shaft)	1	
10	39 2185 20	Bearing Balancer LH	1	
11	39 2189 19	Oil Seal (For Output shaft)	1	
12	39 2190 19	Oil Seal (For Shift lever)	1	
13	DH 1012 03	Breather	1	
14	DH 1012 46	Rubber tube	1	
15	28 1011 74	Spring Clip	1	



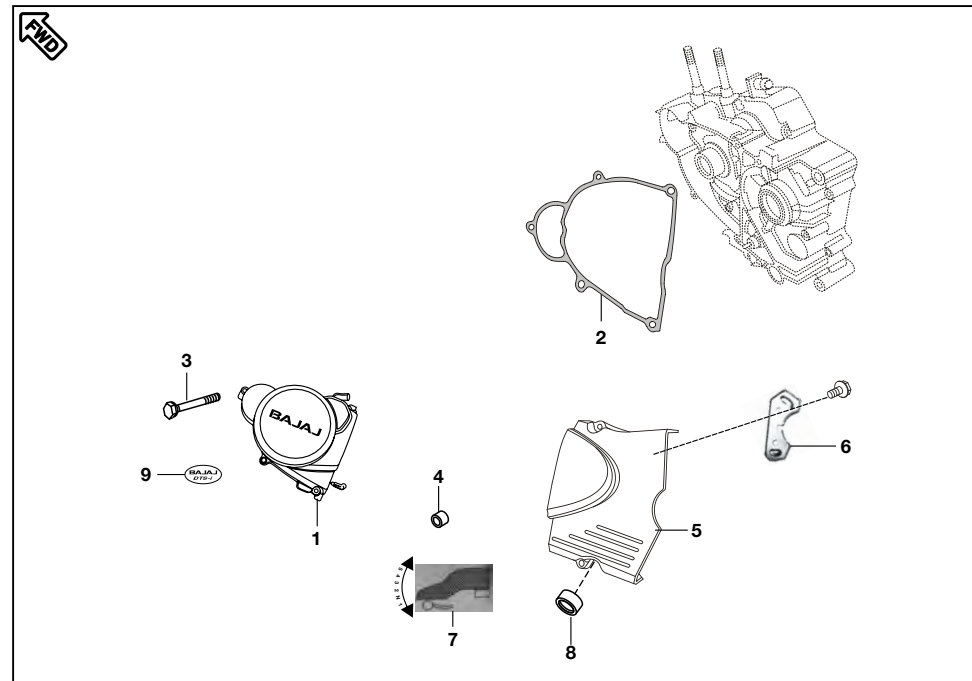
No.	Part No.	Description	Qty/ Veh.	Remarks
16	DH 1016 61	Plug (Drain Bolt)	1	
17	DG 1014 98	Gasket (For Drain Bolt)	1	
18	DK 1013 80	Switch comp. (Neutral)	1	
19	39 1013 21	'O' ring	1	
20	39 1677 04	Bolt	8	
21	DH 1013 90	Bolt	1	
22	DH 1011 69	Needle Roller Bearing	1	
23	DJ 2011 40	Cable assly. (Battery to Earth)	1	
24	39 2448 11	Plain Washer	1	
25	39 0849 14	Toothed Washer	1	
26	DK 1015 77	Thermal Sensor with AL gasket	1	
27	39 1672 04	Flange Bolt	1	For Plastic neutral switch
28	KE BA37 15	Circlip (May 10)	1	For DKGBTB 50638



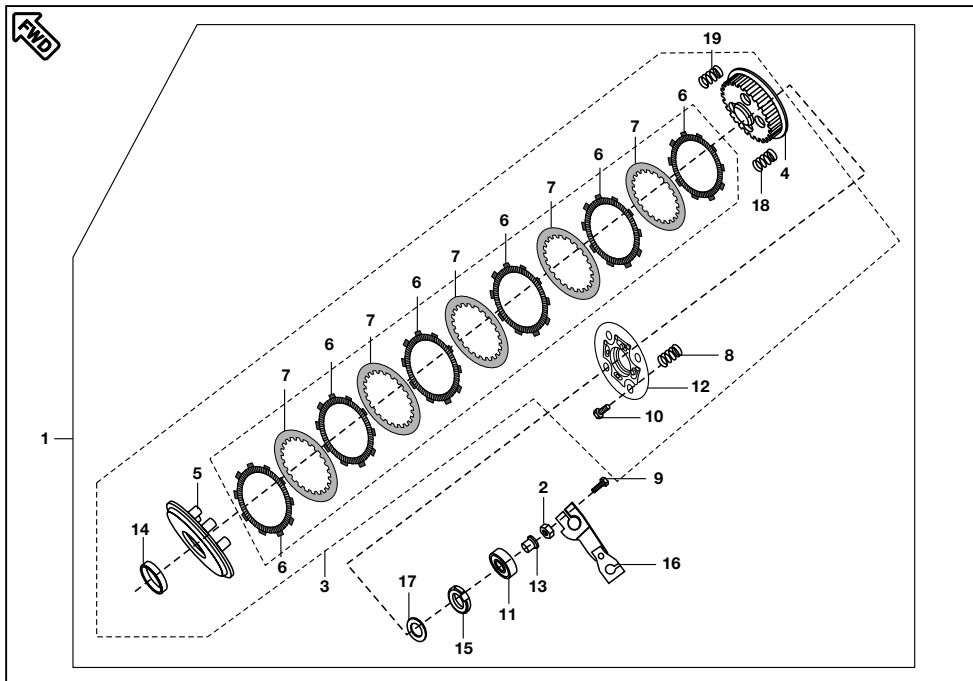
No.	Part No.	Description	Qty/ Veh.	Remarks
1	36 DK00 64	Cover comp RH Flower type	1	Black Color
	52 DK02 04	Cover comp RH Flower type	1	Moon Light Silver
2	DH 1011 97	Grommet Breather	1	
3	39 1041 19	Seal clutch lever	1	
4	DH 1011 41	Rack	1	
5	DH 1011 42	Shaft clutch release	1	
6	DK 1012 51	Parallel pin	1	
7	DG 1014 18	Gauge	1	
8	DS 1012 15	Wire circlip	1	
9	DS 1013 53	Bolt	10	
10	39 0999 06	Pin Dowel	2	
11	DK 1012 52	Bracket Clutch Cable	1	
12	DH 1011 54	Gasket cover RH	1	
13	DK 1014 80	Plunger Oil	1	
14	DH 1210 11	Plate Plunger Oil	1	
15	DH 1210 12	Spring Joint 'A'	1	



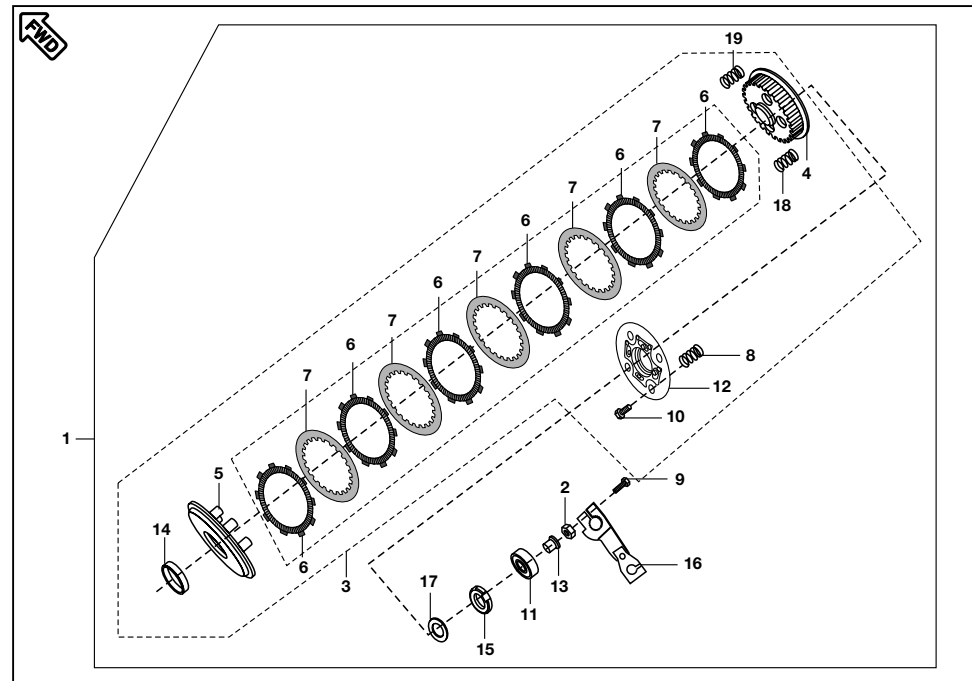
No.	Part No.	Description	Qty/ Veh.	Remarks
16	DH 1015 44	Spring Torsion clutch lever	1	
17	39 2443 11	Washer	1	
18	DK 1017 38	Decal clutch cover	1	
19	DK 1014 69	Assembly Relief Valve Complete	1	
20	DS 1010 71	Cap Oil Filler	1	
21	DH 1011 52	'O' ring	1	
22	39 1990 20	Needle Roller Bearing	2	



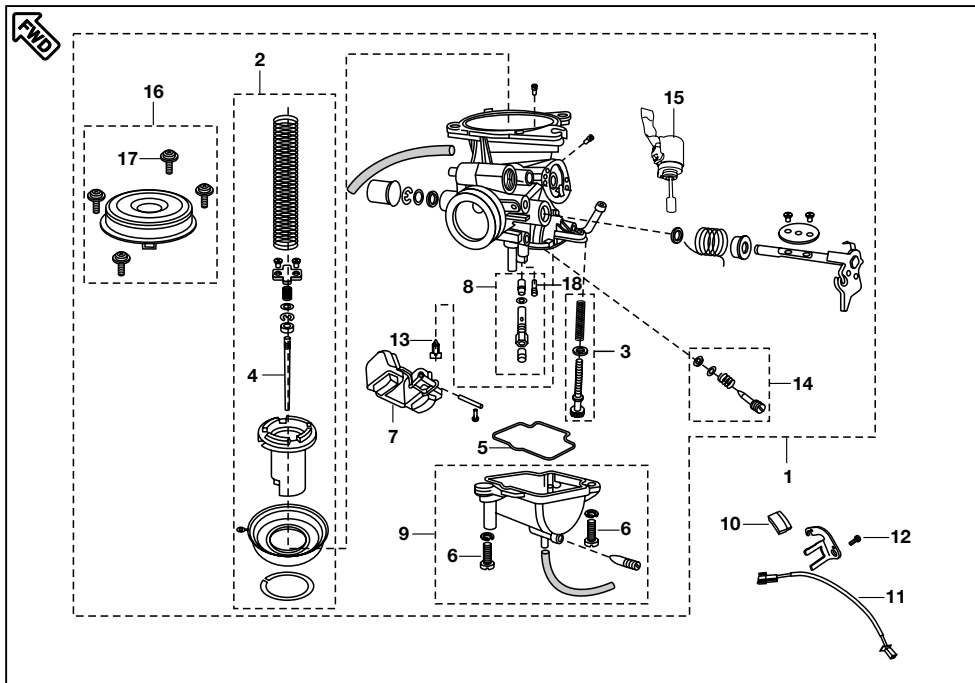
No.	Part No.	Description	Qty/ Veh.	Remarks
1	52 DH06 24	Cover Magneto Flower Type	1	Black Color (220 SF)
	52 DK01 72	Cover Magneto Flower Type	1	Black Color (220 F)
	52 DH06 86	Cover Magneto Flower Type	1	Moon Light Silver (220 SF)
	52 DK02 03	Cover Magneto Flower Type	1	Moon Light Silver (220 F)
2	DV 1010 42	Gasket Magneto cover	1	
3	DS 1013 53	Bolt	5	
4	39 0999 06	Pin Dowel	2	
5	JC 1010 33	Cover LH Rear	1	
	DK 1017 62	Cover LH Rear	1	Moon Light Silver 220 F/SF
6	DH 1012 93	Plate Damper Cover LH Rear	1	
7	DJ 1612 28	Gear Shift Label	1	
8	39 2240 20	Needle Roller Bearing	1	
9	JE 5412 12	Decal DTS-i Magneto	1	



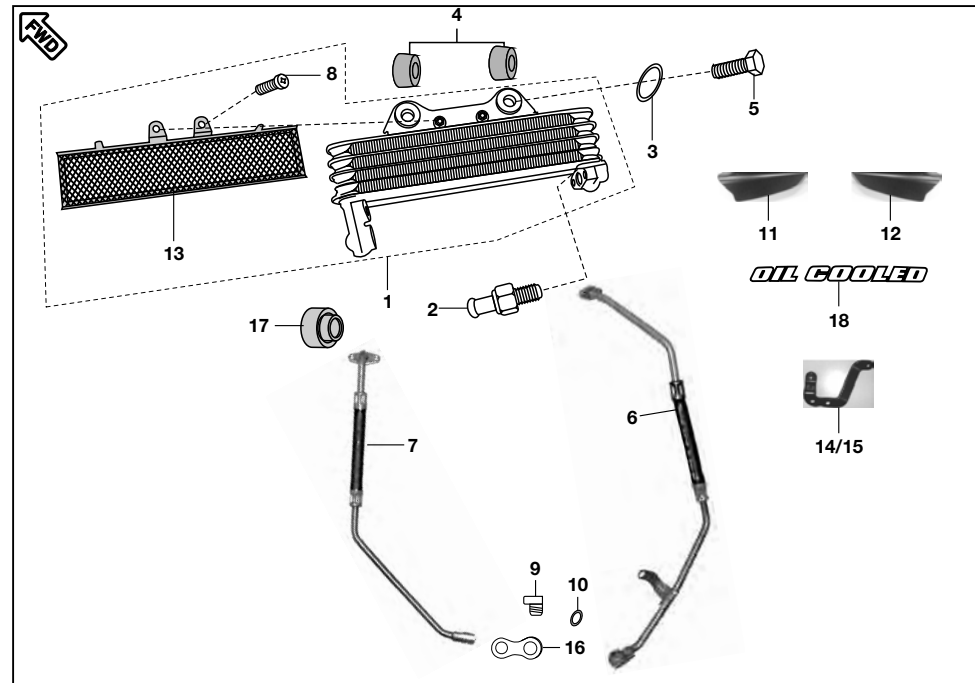
No.	Part No.	Description	Qty/ Veh.	Remarks
1	DK 1015 60	Clutch assembly comp.	1	
2	DH 1012 75	Nut	1	
3	DK 1015 63	Clutch Plate Assly	1	
4	DK 1015 64	Clutch Center	1	
5	DK 1015 69	Plate Clutch pressure	1	
6	DK 1015 66	Disc Clutch friction	4	} DJ 1013 69 (Disc Clutch Friction Kit)
	DK 1015 68	Disc Clutch friction (B type)	1	
	DK 1015 67	Disc Clutch friction (C type)	1	
7	DK 1015 65	Plate Clutch	5	
8	DK 1015 72	Spring Clutch Capacity	5	
9	39 1674 04	Bolt	1	
10	DK 1015 74	Bolt	5	
11	39 1880 20	Bearing Clutch lifter thrust	1	
12	DK 1015 73	Holder Clutch	1	



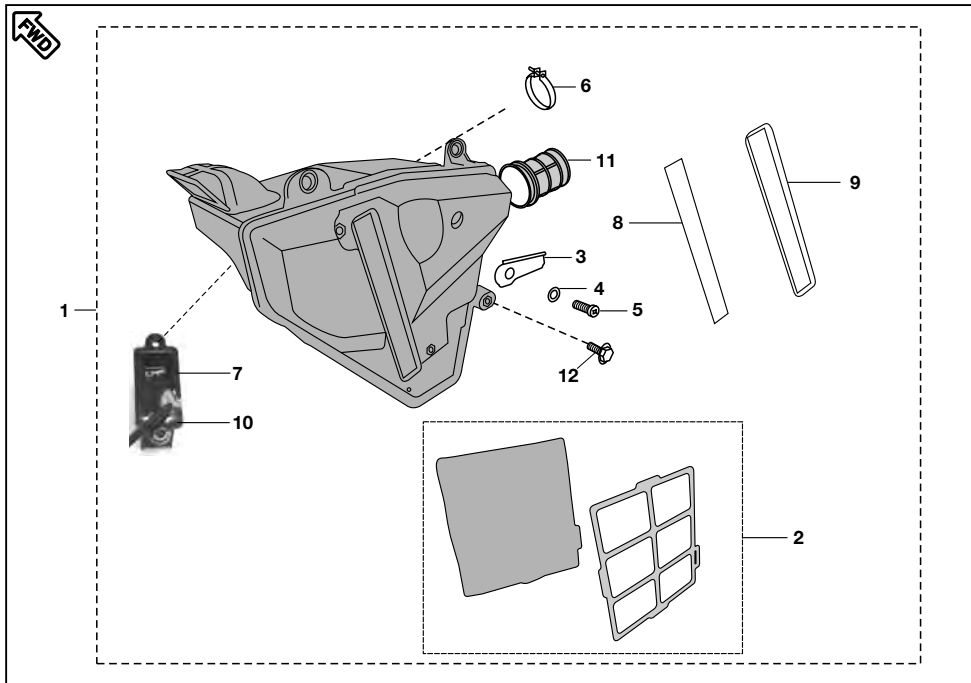
No.	Part No.	Description	Qty/ Veh.	Remarks
13	DK 1010 72	Rod Clutch lifter	1	
14	DK 1011 26	Spacer Clutch	1	
15	DH 1016 48	Nut Primary drive lock	1	LH Thread
16	DK 1016 36	Lever Assly. Clutch	1	
17	39 2200 11	Washer Primary Drive Gear	1	
18	DK 1015 70	Seat judder spring	1	
19	DK 1015 71	Spring judder	1	



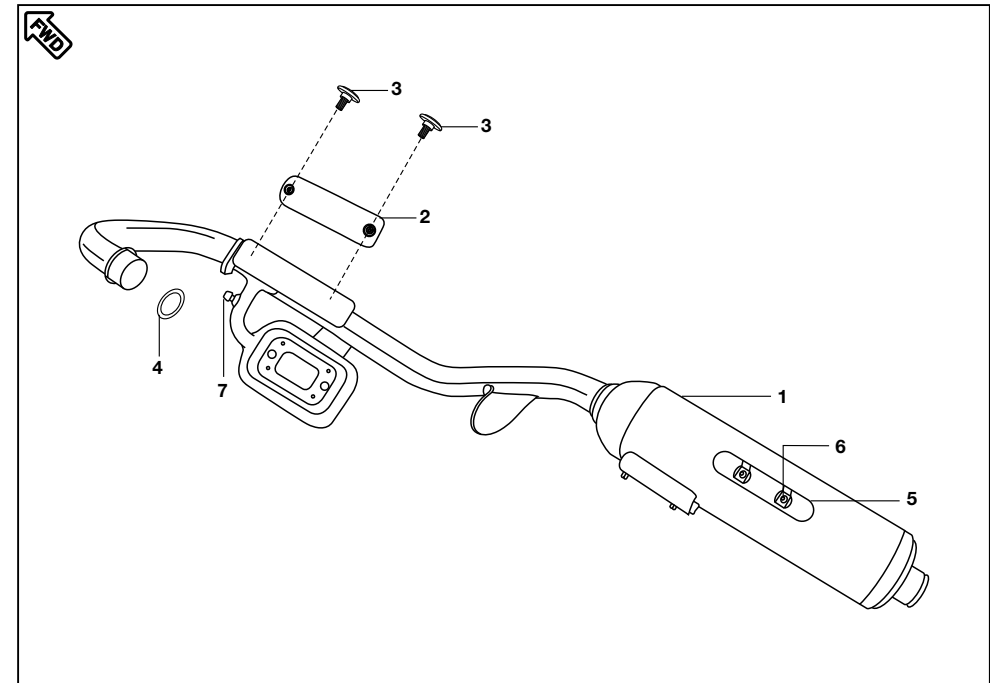
No.	Part No.	Description	Qty/ Veh.	Remarks
1	JC 1200 24	Carburettor Assly.	1	
2	36 DK00 58	Piston valve assly. Kit	1	For BS III Carb. Refer Page 69
3	DK 1210 41	Vacuum adjuster kit	1	Refer Page 69
4	DK 1210 42	Jet needle (JN)	1	
5	DK 1210 43	"O" ring	1	
6	DK 1210 44	Screw	2	
7	DK 1210 45	Float Assly.	1	
8	36 DK00 59	Main jet Kit	1	Refer Page 70
9	36 DK00 60	Float Chamber body Kit	1	Refer Page 70
10	DH 1211 01	Magnet Assly.	1	
11	DJ 1210 70	Reed Switch Assly.	1	
12	39 1780 01	Pan Head Screw	2	
13	DK 1210 47	Needle Assly.	1	
14	DK 1210 48	Pilot Screw Kit	1	Refer Page 69
15	36 DK00 62	Solenoid Kit for Auto choke	1	Refer Page 70
16	36 DK00 61	Tap Cap Assly. Kit	1	Refer Page 70
17	DH 1210 63	Screw Cover	4	
18	DK 1210 51	Pilot Jet	1	



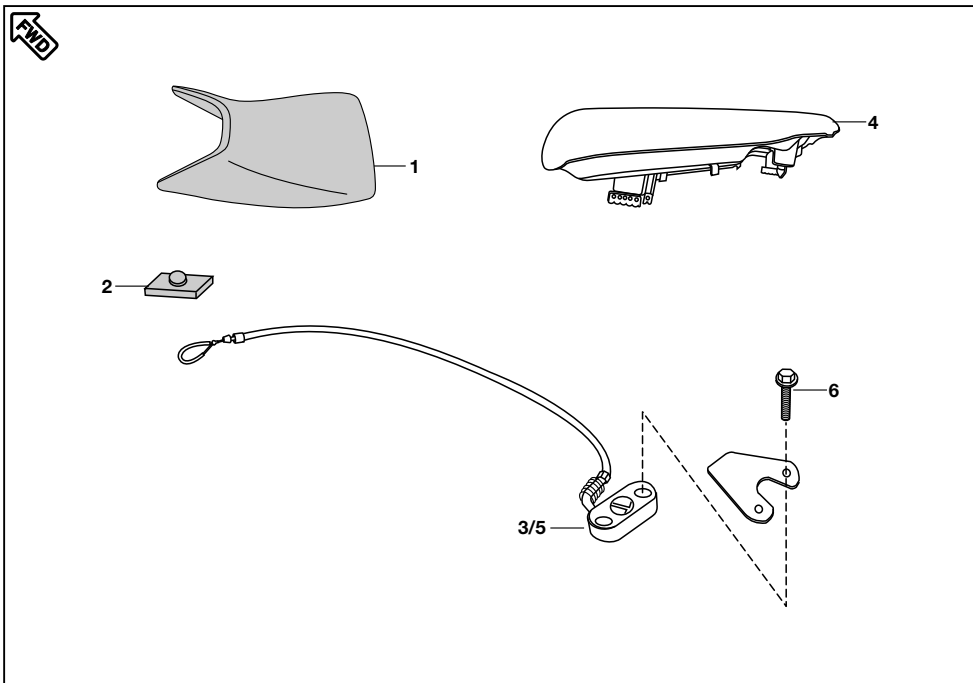
No.	Part No.	Description	Qty/ Veh.	Remarks
1	DK 1016 34	Oil cooler assembly	1	
2	DK 1012 25	Switch oil pressure	1	
3	DK 1013 40	'O' ring Oval (oil cooler pipe)	1	
4	DK 1610 81	Rubber Grommet	2	
5	39 1672 04	Bolt	2	
6	DK 1016 30	Pipe inlet oil cooler	1	
7	DK 1016 31	Pipe outlet oil cooler	1	
8	39 2637 04	Hexagon head screw	2	
9	DK 1013 66	Banjo bolt	2	
10	DK 1012 37	Copper Washer (oil cooler)	4	
11	DK 1611 88	Cap oil cooler LH	1	
12	DK 1611 89	Cap oil cooler RH	1	
13	DK 1016 35	Oil cooler jali	1	
14	DK 1611 86	Oil cooler cap bracket LH	1	
15	DK 1611 87	Oil cooler cap bracket RH	1	
16	DK 1012 79	Washer Cooler Pipe	1	At cover RH
17	JB 4022 02	Grommet oil Pressure Switch	1	
18	DK 1612 59	Decal Oil Cooler LH	1	Other than Orange (For S)
	DK 1612 63	Decal Oil Cooler RH	1	Other than Orange (For S)
	DK 1612 60	Decal Oil Cooler LH	1	For Orange (For S)
	DK 1612 64	Decal Oil Cooler RH	1	For Orange (For S)



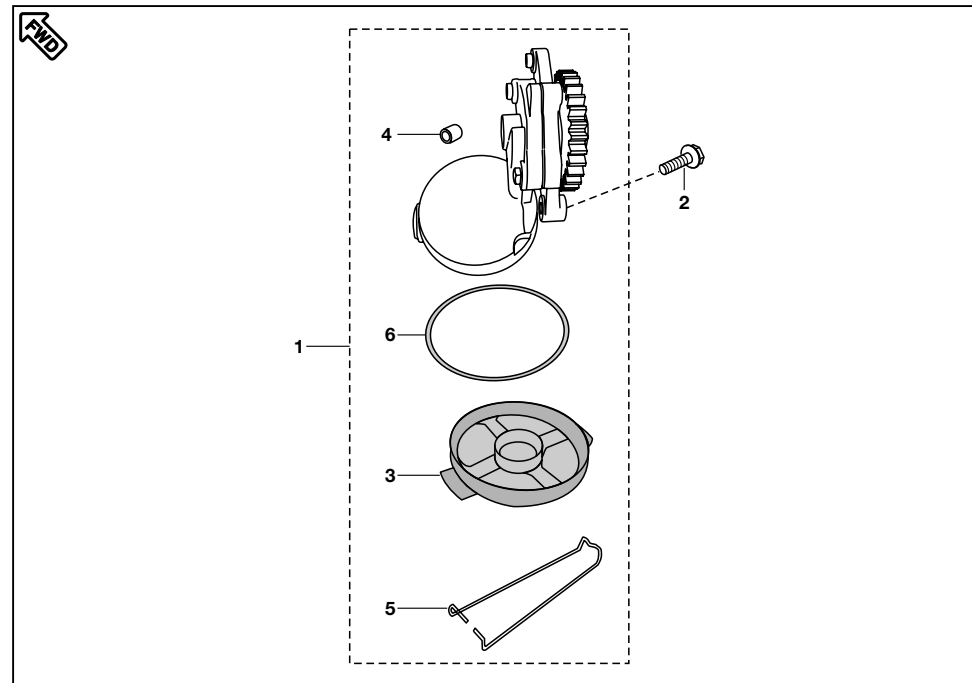
No.	Part No.	Description	Qty/ Veh.	Remarks
1	DK 1210 38	Air Cleaner comp	1	
2	DK 1210 09	Assly element filter	1	
3	DH 1210 20	Bracket lock	1	
4	39 1765 11	Plain washer	1	
5	39 1780 01	Hexagonal head screw	1	
6	AP 1210 64	Clamp	1	
7	DK 1110 40	IR sensor	1	
8	DK 1210 15	'O' Ring	1	
9	DK 1210 08	Filter element cover	1	
10	DK 1210 22	Grommet IR sensor	1	
11	DK 1210 39	Connecting Tube	1	
12	DH 1613 77	Bolt Step	3	



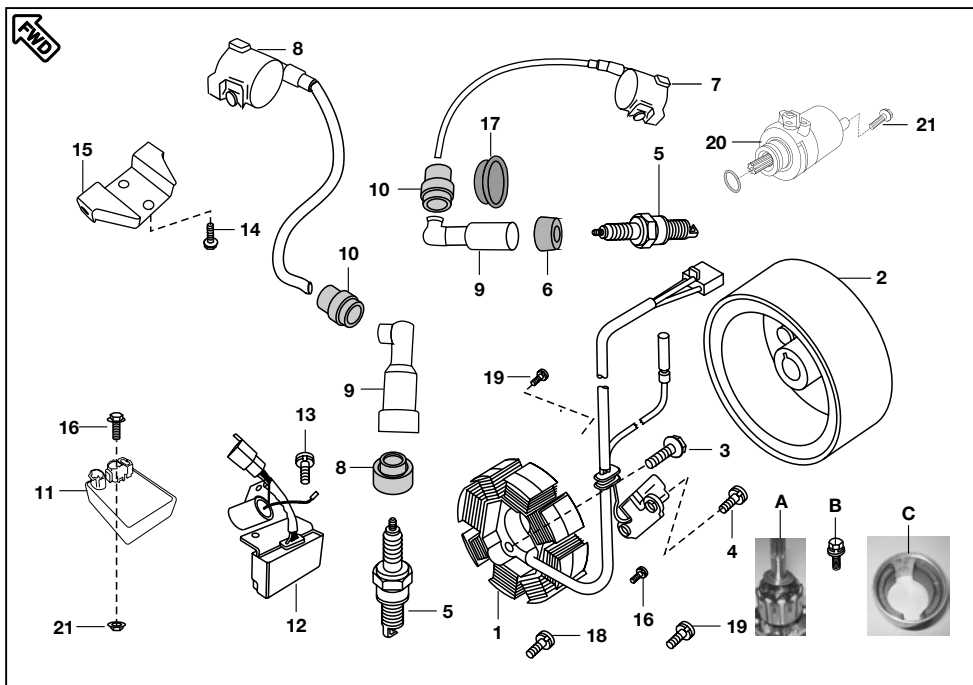
No.	Part No.	Description	Qty/ Veh.	Remarks
1	DK 1014 82	Silencer Assly. w/o shield	1	
2	DH 1016 08	Silencer front shield	1	
3	DH 1016 07	Truss screw	2	
4	DJ 1010 64	Gasket exhaust	1	
5	DK 1014 75	Silencer rear shield	1	
6	DK 9026 27	Nut	2	
7	DK 1016 10	Resonator bolt	1	



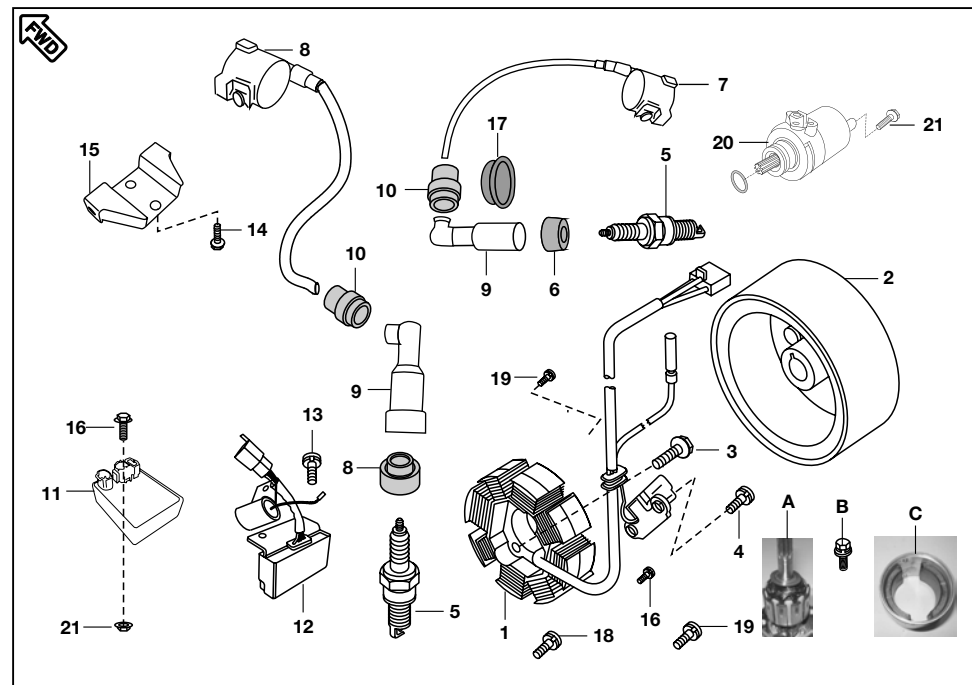
No.	Part No.	Description	Qty/ Veh.	Remarks
1	DK 2110 01	Seat assly comp front	1	
2	DS 2110 05	Damper	2	
3	DH 1610 46	Lock assly seat front	1	
4	DK 2110 04	Seat assly comp rear	1	
5	DK 2110 08	Lock assly seat rear	1	
6	39 1902 04	Bolt flange	2	



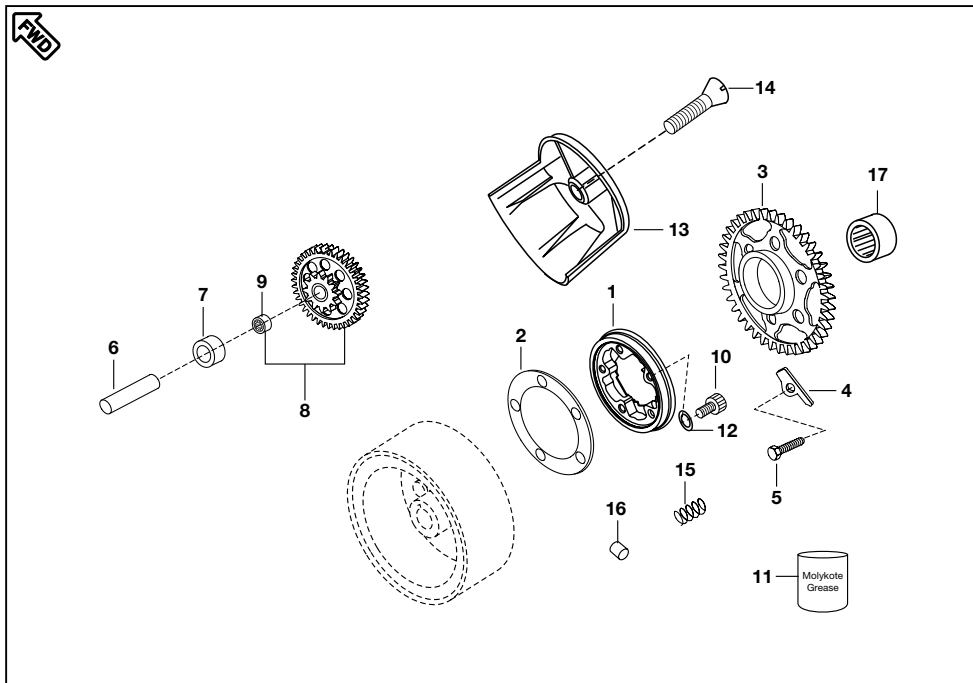
No.	Part No.	Description	Qty/ Veh.	Remarks
1	52 DH01 69	Oil Pump Assly	1	
2	39 1674 04	Hex. Bolt with flange	3	
3	DH 1210 10	Mesh filter Oil pump	1	
4	39 1686 06	Hollow dowel pin	1	
5	DH 1210 35	Clip Mesh Oil filter	1	
6	39 2194 21	'O' Ring	1	



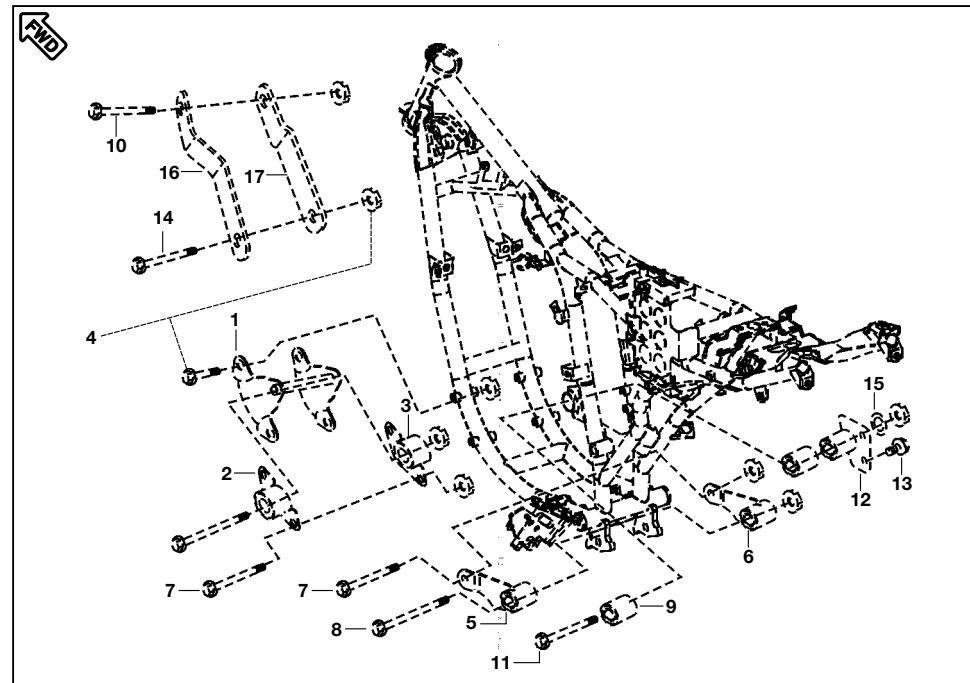
No.	Part No.	Description	Qty/ Veh.	Remarks
1	JC 1110 26	Stator assly. comp.	1	(220 F)
	DH 1110 81	Stator assly. comp.	1	(220 SF)
2	JC 1110 28	Rotor Assly.	1	(220 F)
	DH 1110 83	Rotor Assly.	1	(220 SF)
3	39 1674 04	Hex. Bolt with Flange	2	
4	39 0761 01	Pan Head Screw	2	
5	DK 1110 28	Spark Plug	2	
6	DH 1011 13	Grommet Spark Plug	2	
7	JC 1110 22	H.T. Coil LH	1	
8	JC 1110 23	H.T. Coil RH	1	
9	DH 1110 15	Cap Spark Plug	2	
10	DD 1110 12	Grommet H.T. Cable	2	
11	DK 1110 72	CDI Unit	1	
12	DK 2010 01	Regulator Voltage	1	(220 F)
	DJ 2012 02	Regulator Voltage	1	(220 SF)
13	DD 2010 24	Flange Bolt	1	
14	39 1902 04	Flange Bolt	2	
15	DJ 1610 67	Bracket H.T. Coil	1	



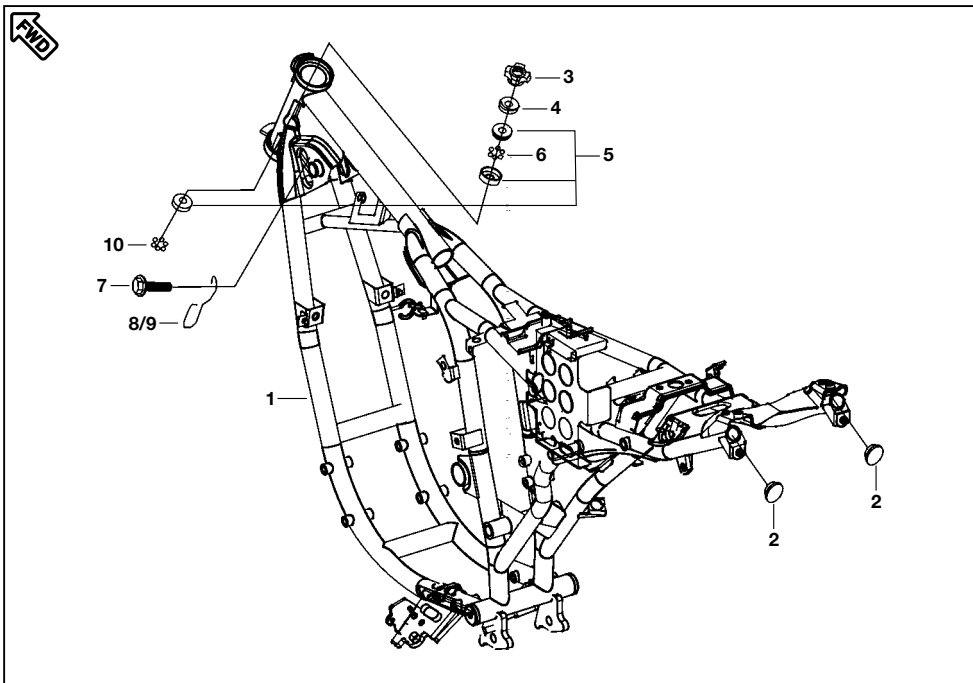
No.	Part No.	Description	Qty/ Veh.	Remarks
16	39 1680 04	Flange Bolt	2	
17	DH 1110 16	Grommet Sleeve Spark Plug	1	
18	DK 1210 84	Hex bolt stator mounting	3	
19	DH 1013 81	Pan head screw (Pick up coil mtg)	2	
20	JC 1110 07	Motor assly. starter	1	
21	DS 1013 53	Bolt	2	STARTER MOTOR SERVICEABLE
A	DK 1110 16	Armature	1	
B	DK 1110 21	Tie Bolt	1	
C	JC 1110 10	Yoke	1	
		STARTER MOTOR KIT		
D	36 DK00 50	Starter Motor Repair kit	1	Refer page no. 69
E	36 DK00 51	Starter Motor Repair kit	1	Refer page no. 69



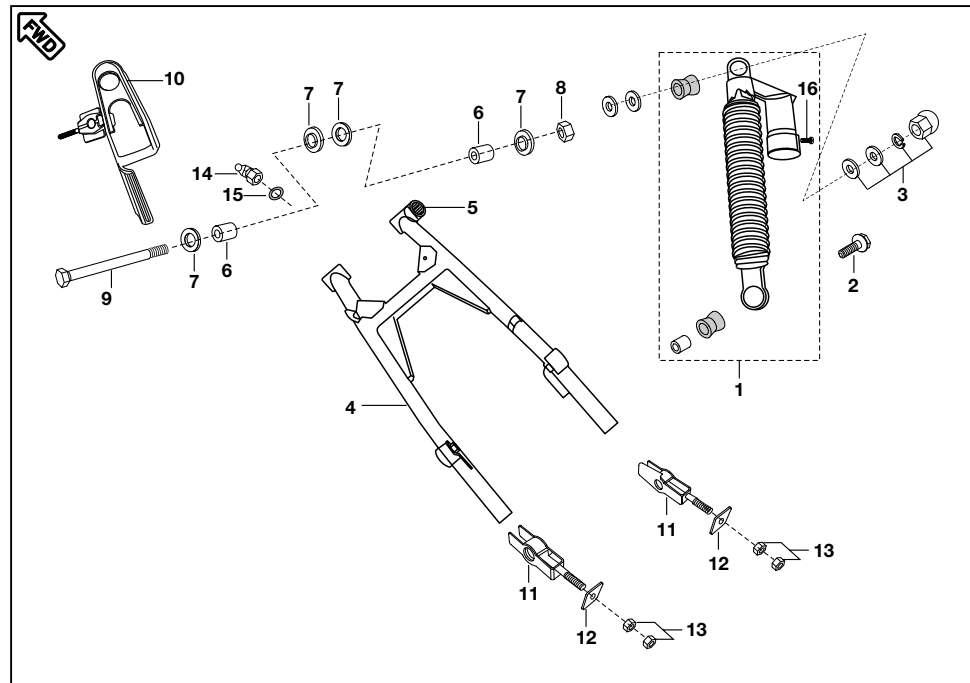
No.	Part No.	Description	Qty/ Veh.	Remarks
1	36 DK00 76	Kit comp. starter clutch	1	Ref. Cir. D-40
2	DK 1016 05	Plate roller clutch	1	
3	JC 1011 12	Gear starter clutch	1	
4	DH 1015 81	Plate starter clutch gear return	1	
5	DH 1013 85	Bolt	1	For stopper plate
6	DK 1011 76	Shaft starter counter	1	
7	DH 1011 72	Collar starter counter	1	
8	JC 1011 15	Gear comp. starter counter assly.	1	
9	59 2000 07	Needle roller bearing	1	
10	39 0972 04	Bolt Socket	3	
11	36 DK00 45	Grease Molykote (200 gm box)	1	For BSC Lubrication@ 5K Kms
12	39 0849 14	Star Washer Toothed	3	
13	DK 1017 70	Cover starter motor	1	
14	DH 1013 89	Slotted c'sunk screw	1	
15	36 DK00 77	Kit For Starter Clutch Spring	1	Ref. Cir. No. D-40
16	DH 1011 63	Roller	5	
17	59 2000 07	Needle roller bearing	1	



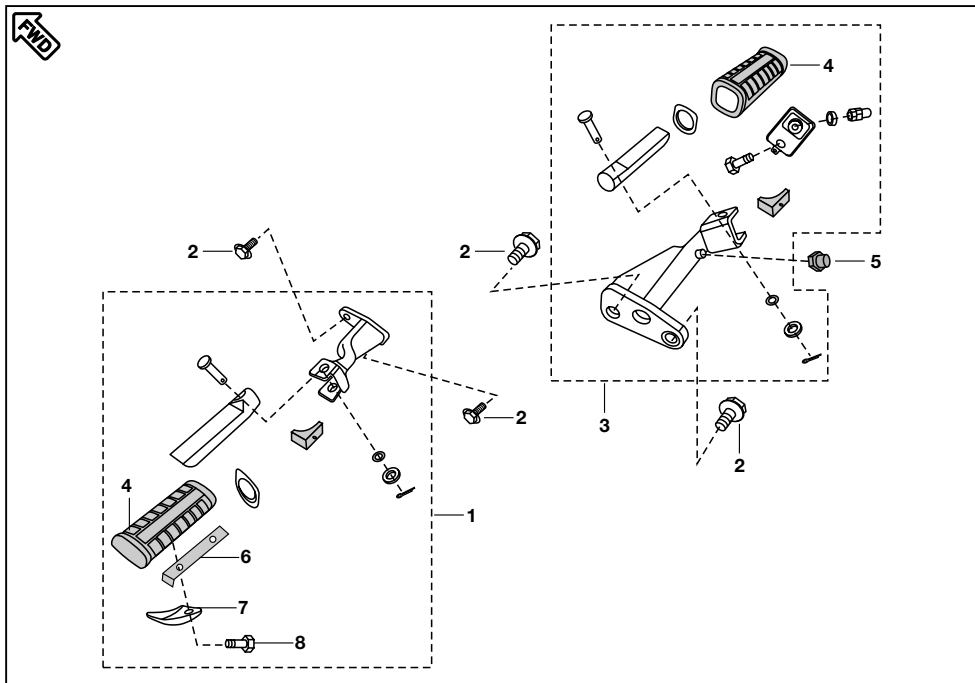
No.	Part No.	Description	Qty/ Veh.	Remarks
1	DK 1610 96	Bkt. Assly. eng. mtg. front	1	
2	DH 1611 89	Bkt. comp. LH eng. mtg. Front	1	
3	DH 1611 90	Bkt. comp. RH eng. mtg. Front	1	
4	36 DK00 11	Kit hardware eng. mtg.	1	Ref. page no. 68
5	DK 1611 59	Bkt. comp. LH eng. mtg. lower	1	
6	DK 1611 60	Bkt. comp. RH eng. mtg. lower	1	
7	39 2157 04	Bolt Flanged	3	
8	39 2412 04	Bolt Flanged	1	
9	DH 1612 73	Bush in frame	1	
10	39 1967 04	Bolt	1	
11	59 0400 43	Hex. soc. hd. cap bolt	1	
12	DK 1611 61	Bkt. comp. RH eng. rear	1	
13	39 2310 04	Flanged bolt	2	
14	39 2412 04	Bolt	1	
15	39 2457 11	Washer	1	
16	DK 1612 22	Bracket engine hanger LH	1	
17	DK 1612 23	Bracket engine hanger RH	1	



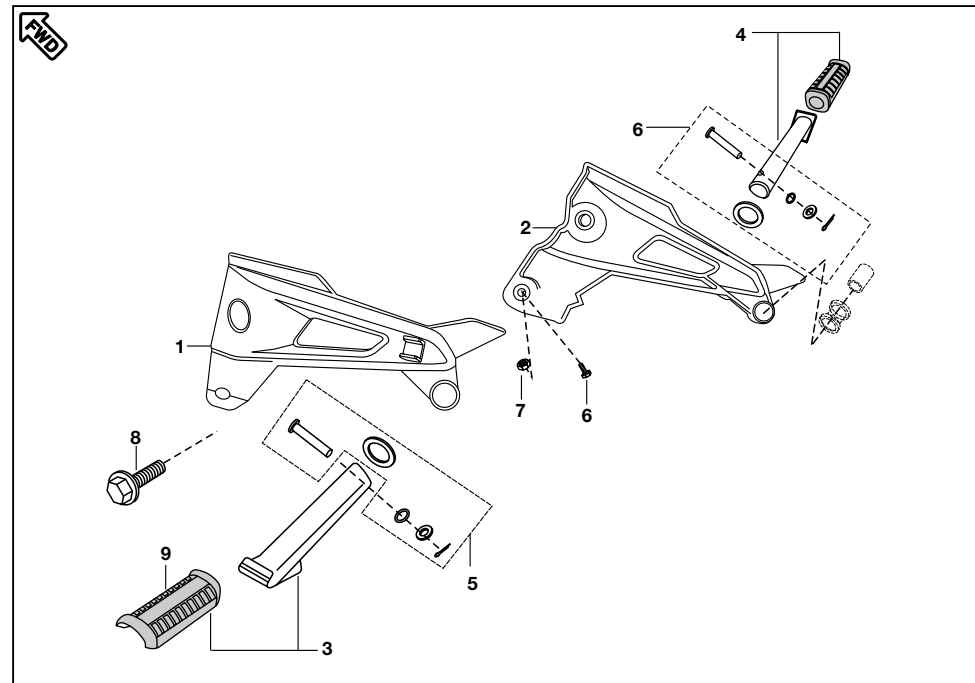
No.	Part No.	Description	Qty/ Veh.	Remarks
1	JC 1610 50	Frame Assly. Comp.	1	(220 F)
	JC 1610 49	Frame Assly. Comp.	1	(220 SF)
2	DH 1611 12	Cup rear	2	
3	DK 1810 75	Nut	1	
4	DK 1810 76	Cup - Steering	1	
5	36 DV00 07	Bearing Cone Kit	1	Ref. page no. 68
6	DK 1810 50	Cage bearing upper	1	
7	39 1680 04	Flanged bolt	2	
8	DJ 1611 32	Cable Hook LH	1	
9	DJ 1611 33	Cable Hook RH	1	
10	DK 1810 51	Cage bearing lower	1	



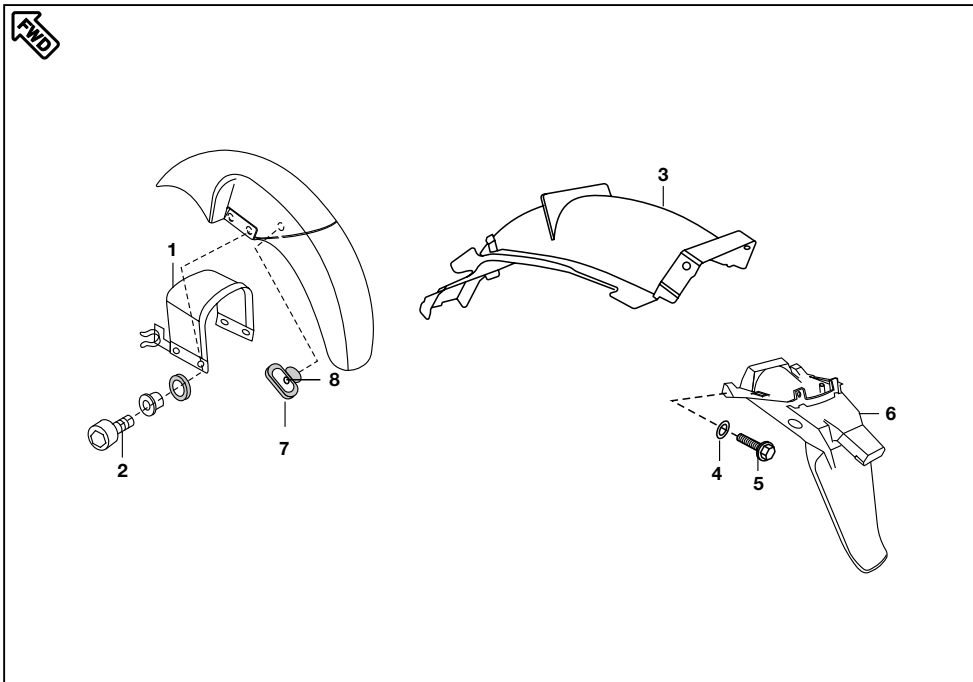
No.	Part No.	Description	Qty/ Veh.	Remarks
1	DK 1710 14	Rear Shock Absorber	2	
2	DG 1710 38	Bolt Pre-coated	2	
3	36 DK00 12	Kit Bush Rear Shock Absorber	1	Ref. page no. 68
4	DK 1710 11	Swing arm assly.	1	
5	DG 1710 18	Needle bearing	2	
6	DK 1710 06	Collar swing arm	2	
7	DG 1710 19	Dust seal swing arm	4	
8	DH 1710 19	'U' nut swing arm	1	
9	DK 1710 03	Shaft swing arm	1	
10	DG 1710 34	Chain slider guard	1	
11	JM 1710 03	Adjuster chain	2	
12	JM 1710 04	Cap Chain Adjuster	2	
13	39 0292 15	Hexagon nut	4	
14	35 1710 33	Grease nipple	2	
15	39 0740 11	Plain washer (Nylon)	2	
16	DJ 1710 34	Nitrox Screw Assly.	2	(1 Per RSA)



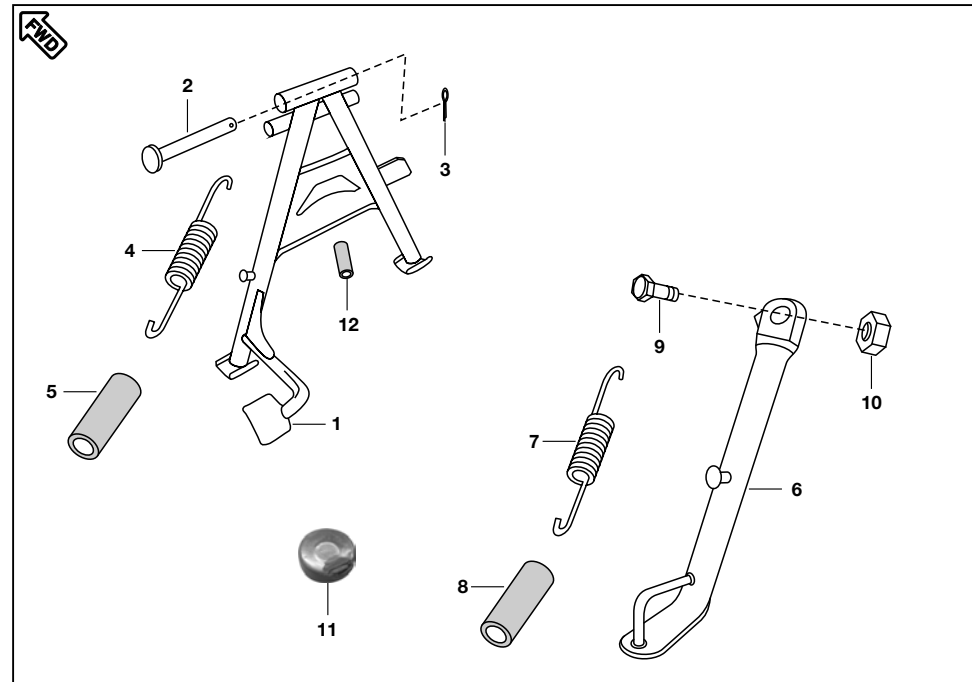
No.	Part No.	Description	Qty/ Veh.	Remarks
1	DJ 1611 26	Main step LH assly. comp.	1	
2	22 1504 51	Flange bolt	4	
3	DJ 1611 27	Main step RH assly. comp.	1	
4	DH 1610 53	Rubber main step	2	
5	DH 1611 94	Kick stopper	1	
6	DX 1610 67	Plate lock pillion step	2	
7	DH 1611 00	Spacer main step	2	
8	39 2475 04	Bolt	2	



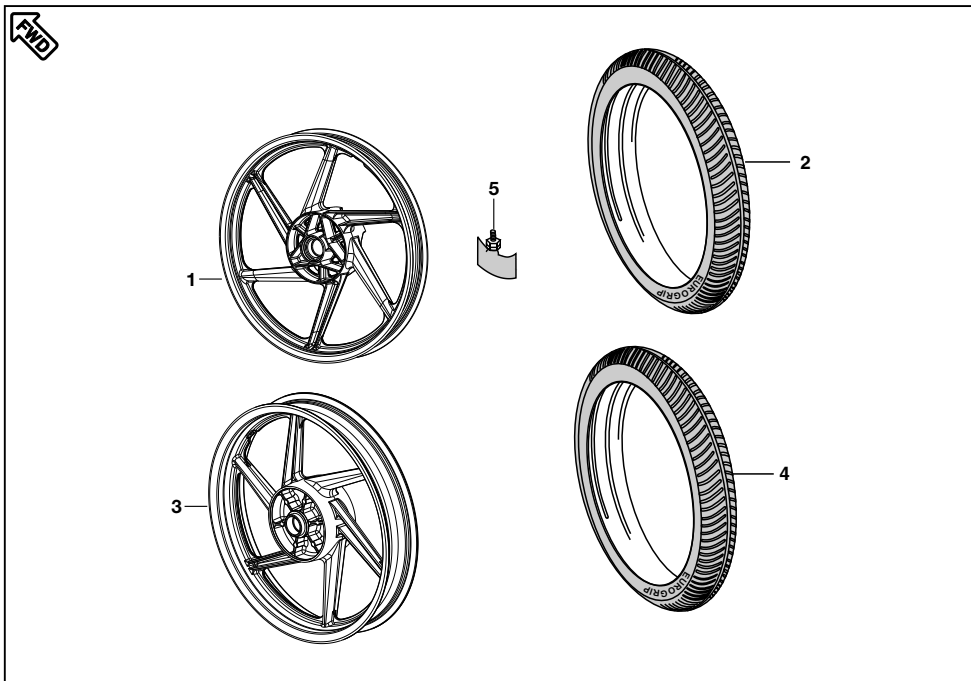
No.	Part No.	Description	Qty/ Veh.	Remarks
1	DK 1611 37	Holder LH step - Silver	1	
	52 DK01 67	Holder LH step - Black	1	
	DK 1613 08	Holder LH step - Moon Light Silver	1	Ref. Cir. IB-14; Aug-11
2	DK 1611 38	Holder RH step - Silver	1	
	52 DK01 68	Holder RH step - Black	1	
	DK 1613 09	Holder RH step - Moon Light Silver	1	Ref. Cir. IB-14; Aug-11
3	DJ 1611 28	Pillion step assly. comp. LH	1	
4	DJ 1611 29	Pillion step assly. comp. RH	1	
5	36 DK00 13	Kit hardware pillion	2	Ref. page no. 68
6	39 1069 01	Hexagonal head screw	2	
7	39 0292 15	Nut	1	
8	39 2582 04	Flanged Bolt	2	Bolt Mtg. LH & RH Holder Step
9	DJ 1611 22	Pillion footrest rubber	2	



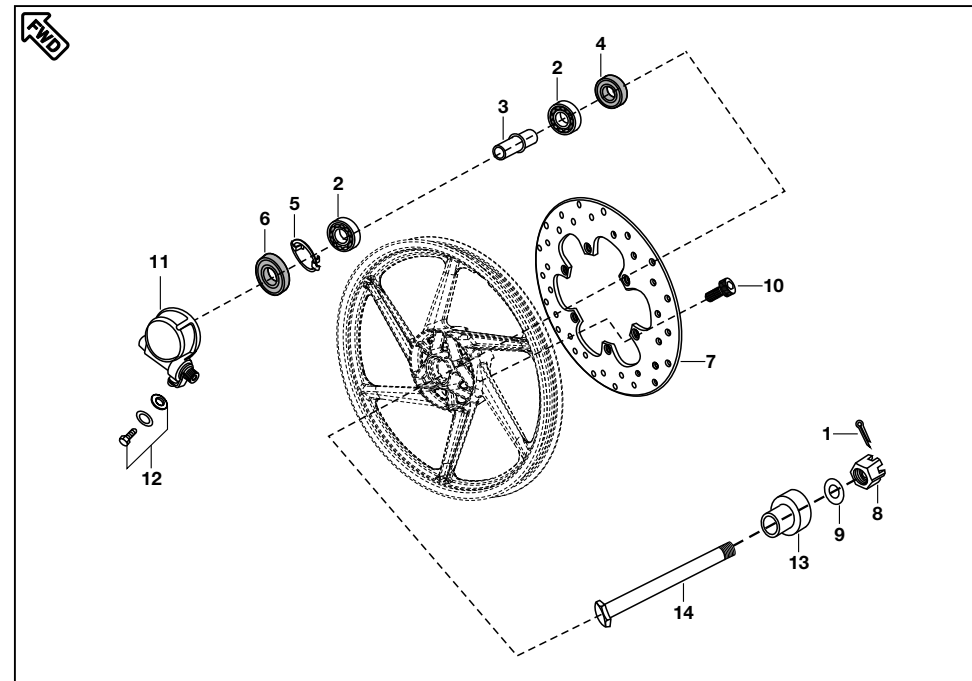
No.	Part No.	Description	Qty/ Veh.	Remarks
1	DK 1610 98	Brace fender	1	
2	59 0400 40	Step bolt	4	
3	DK 1610 86	Fender rear front	1	
4	39 0711 11	Plain washer	4	
5	39 1680 04	Flange bolt	2	
6	DK 1610 85	Fender rear	1	
7	DS 1611 25	Cable guide	1	
8	DJ 1610 69	Nail Cable guide	1	



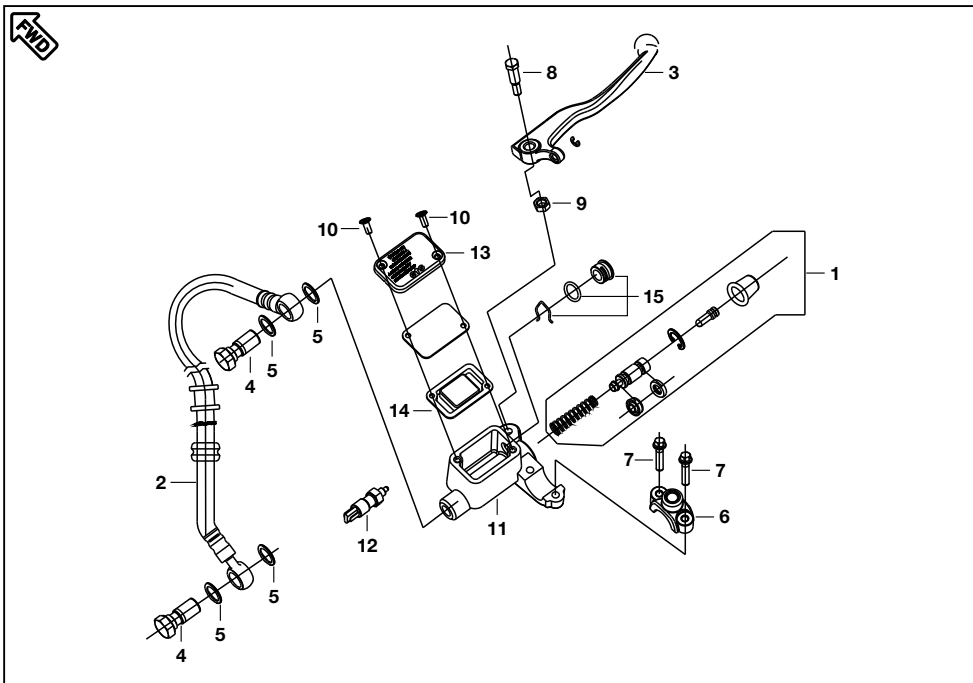
No.	Part No.	Description	Qty/ Veh.	Remarks
1	DK 1611 22	Stand main	1	
2	30 1611 57	Shaft stand	1	
3	39 0787 08	Pin cotter	1	
4	DH 1611 21	Spring main stand	1	
5	DH 1611 45	Cover spring main stand	1	
6	JC 1610 17	Stand side	1	
7	DH 1610 66	Spring side stand	1	
8	DH 1611 46	Cover spring side stand	1	
9	DF 1611 02	Bolt	1	
10	39 0422 15	Nut	1	
11	DJ 2011 06	Magnet assembly	1	
12	DJ 1611 24	Main Stand Rubber	1	



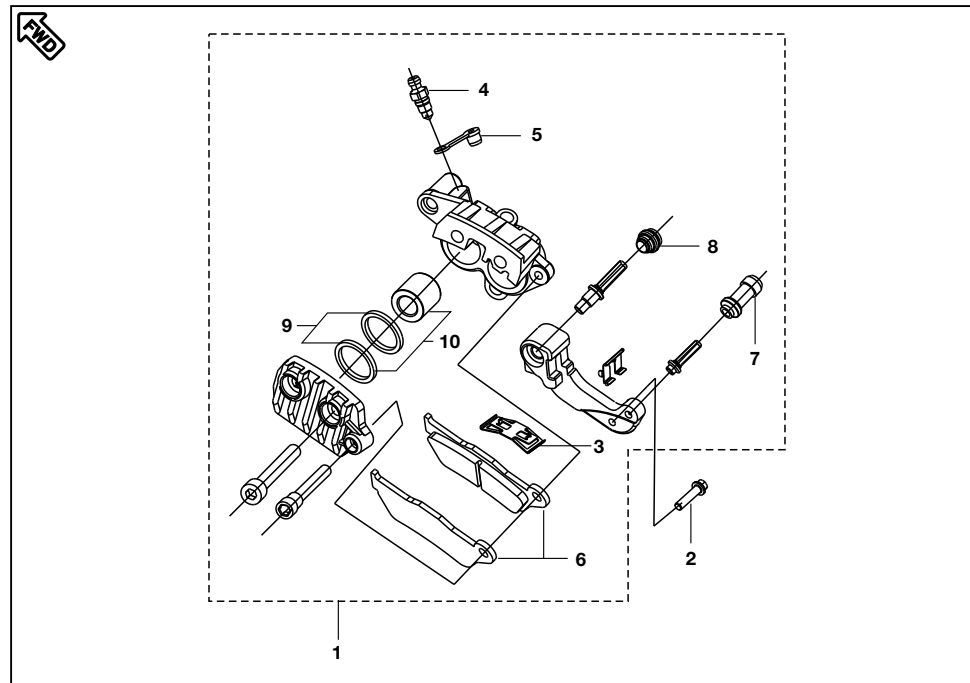
No.	Part No.	Description	Qty/ Veh.	Remarks
1	JC 1510 13	Wheel rim front	1	
2	DK 1510 39	Tubeless tyre front	1	Not serviceable
3	DK 1510 50	Wheel rim rear	1	
4	DK 1510 40	Tubeless tyre rear	1	Not serviceable
5	DK 1510 26	Valve for tubeless tyre	2	
6		Weights for Wheel Rim	1	



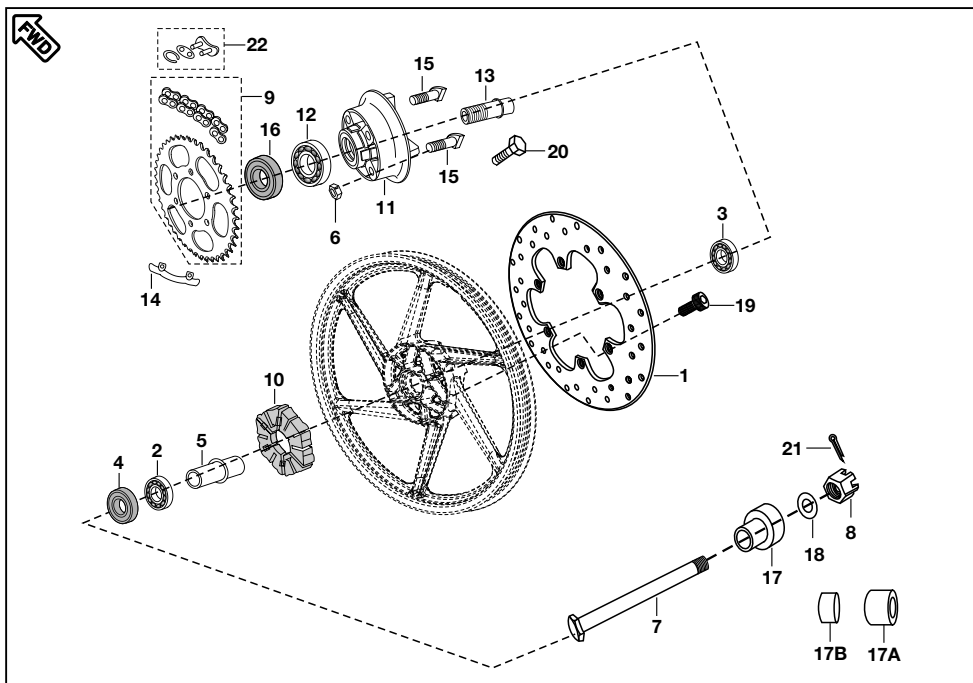
No.	Part No.	Description	Qty/ Veh.	Remarks
1	39 0787 08	Pin cotter	1	
2	39 2241 20	Bearing ball	2	
3	DK 1510 28	Spacer assly.	1	
4	DG 1510 05	Seal oil	1	
5	DE 1510 12	Plate drive	1	
6	DE 1510 08	Seal oil	1	
7	DK 1510 27	Disc	1	
8	DH 1710 19	U nut	1	
9	DG 1510 08	Plain washer	1	
10	DG 1510 49	Hex. soc. hd. bolt	6	
11	JC 1510 20	Case meter assly. (W/o Sensor)	1	Applicable to all versions of Pulsar 220 & 200
12	JC 2010 50	Hardware Kit	1	
13	DG 1510 07	Collar	1	
14	DK 1510 08	Axle	1	



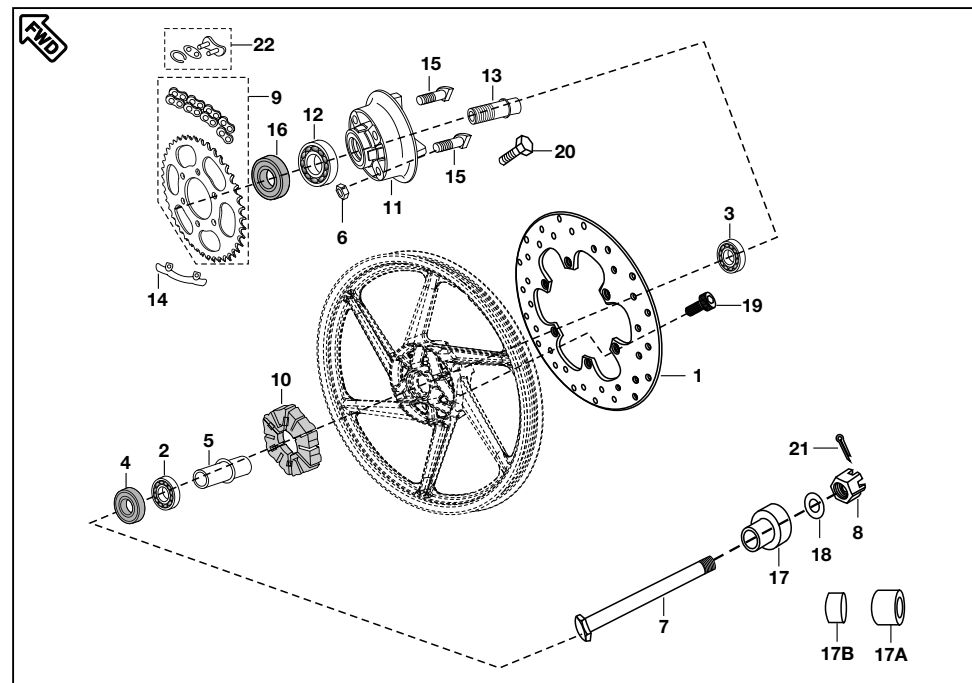
No.	Part No.	Description	Qty/ Veh.	Remarks
1	DE 1910 43	Major Kit - Master Cylinder	1	
2	DK 1510 57	Hose Brake Front	1	
3	DJ 1910 06	Lever Grip RH	1	
4	DE 1910 11	Banjo Bolt	2	
5	DE 1910 10	Washer Copper	4	
6	DE 1910 33	Clamp Holder RH	1	(220 SF)
6A	DK 1810 52	Clamp Holder RH	1	(220 F)
7	DJ 1910 28	Bolt	2	
8	DJ 1910 29	Bolt Front Brake Lever	1	
9	DJ 1910 30	Nut Flanged	1	
10	DE 1910 30	Screw	2	
11	DJ 1910 32	Cylinder Master	1	
12	DJ 2011 09	Front brake switch	1	
13	DE 1910 29	Reservoir Cover	1	
14	DK 1510 72	Diaphragm	1	Not Serviceable



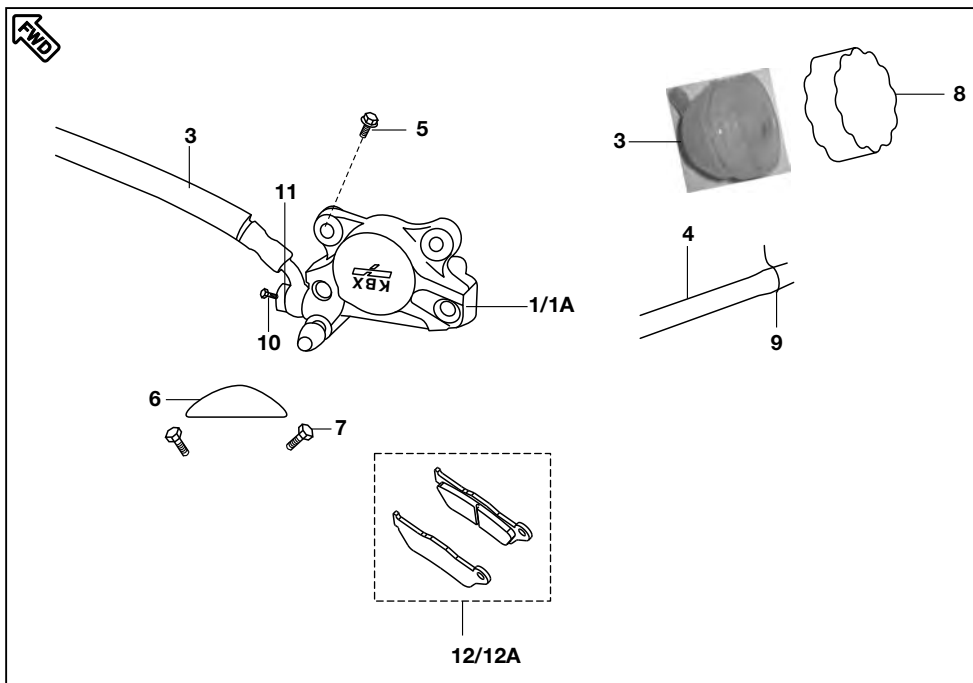
No.	Part No.	Description	Qty/ Veh.	Remarks
1	DK 1510 54	Caliper Assly. Front	1	
2	59 0400 48	Bolt Flanged	2	
3	DE 1510 48	Spring Pad	1	
4	DE 1510 46	Bleeder Screw	1	
5	DE 1510 47	Bleeder Cap	1	
6	DE 1510 37	Disc Pad Set	1	
7	DE 1510 43	Insulator	1	
8	DJ 1510 73	Protection Boot	1	
9	DE 1510 51	Minor kit caliper	1	
10	DE 1510 52	Major kit caliper	1	



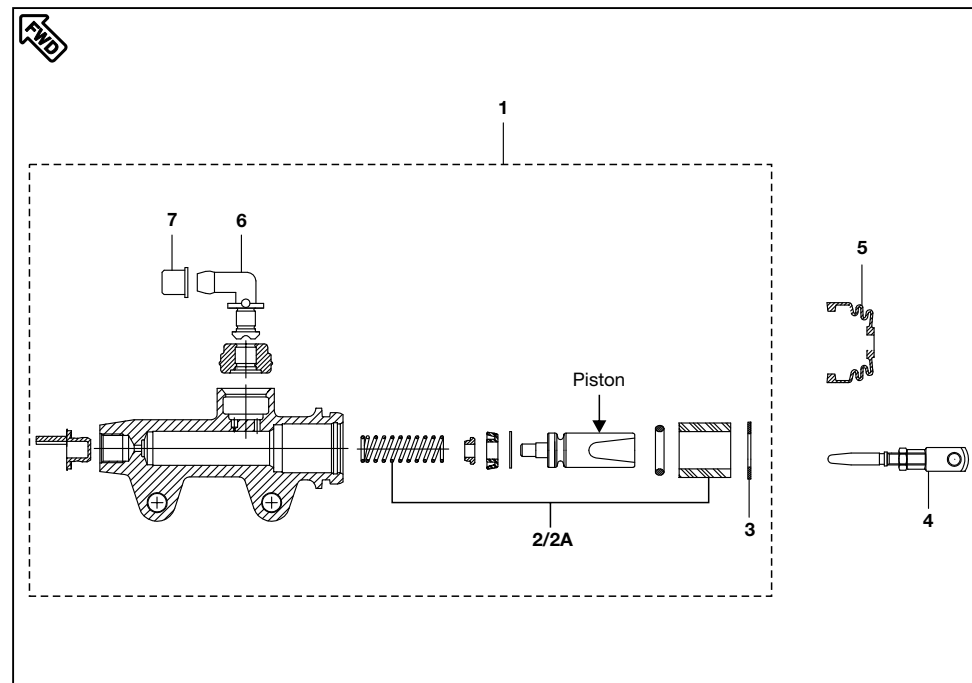
No.	Part No.	Description	Qty/ Veh.	Remarks
1	DK 1510 24	Rear disc	1	
2	39 2686 20	Ball bearing	1	
3	39 2687 20	Ball bearing	1	
4	30 1510 82	Seal oil	1	
5	DK 1510 22	Collar bearing assly.	1	
6	39 1997 15	Nut hex small	6	
7	DK 1510 09	Axel rear	1	
8	DH 1710 19	"U" nut	1	
9	36 DK00 40	Chain sprocket kit	1	Ref. page no. 68
10	JG 1312 19	Coupling rubber	1	
11	JC 1510 16	Coupling	1	
12	DK 1510 13	Ball Bearing	1	
13	DK 1510 15	Sleeve	1	
14	DS 1510 74	Washer lock	6	
15	DS 1510 73	Stud	2	



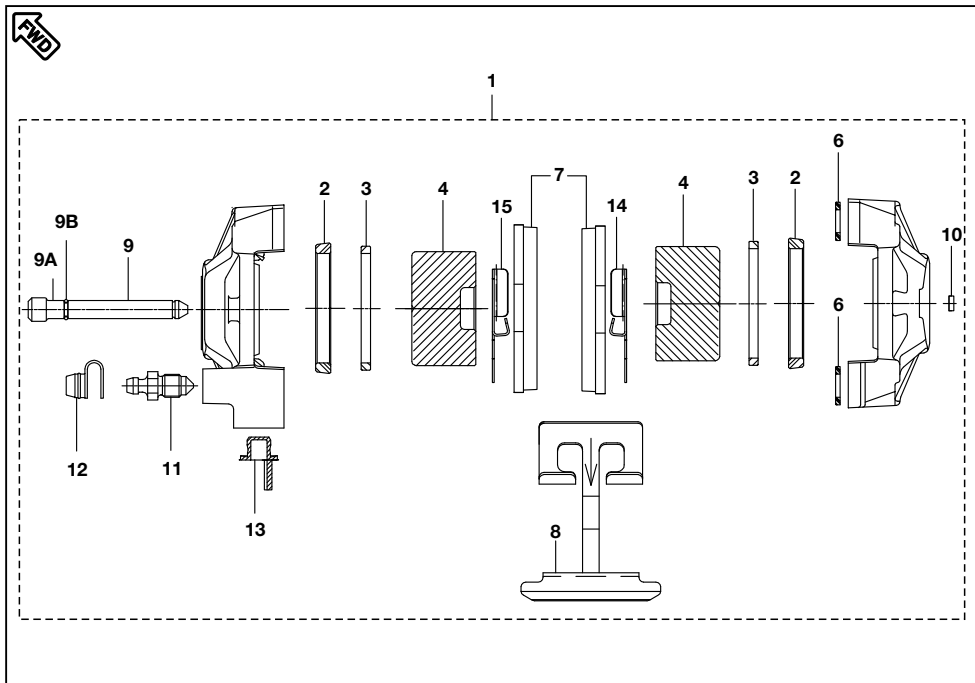
No.	Part No.	Description	Qty/ Veh.	Remarks
16	DK 1510 12	Oil Seal	1	
17	DK 1510 17	Spacer	1	
17A	DK 1510 81	Spacer	1	For Floating Type Caliper assly.
17B	DK 1510 82	Spacer	1	For Floating Type Caliper assly.
18	DG 1510 08	Washer	1	
19	DG 1510 49	Hex soc. HD bolt	6	
20	39 2036 04	Bolt Socket	6	
21	39 0787 08	Pin cotter	1	
22	DK 1510 36	Drive chain lock	1	



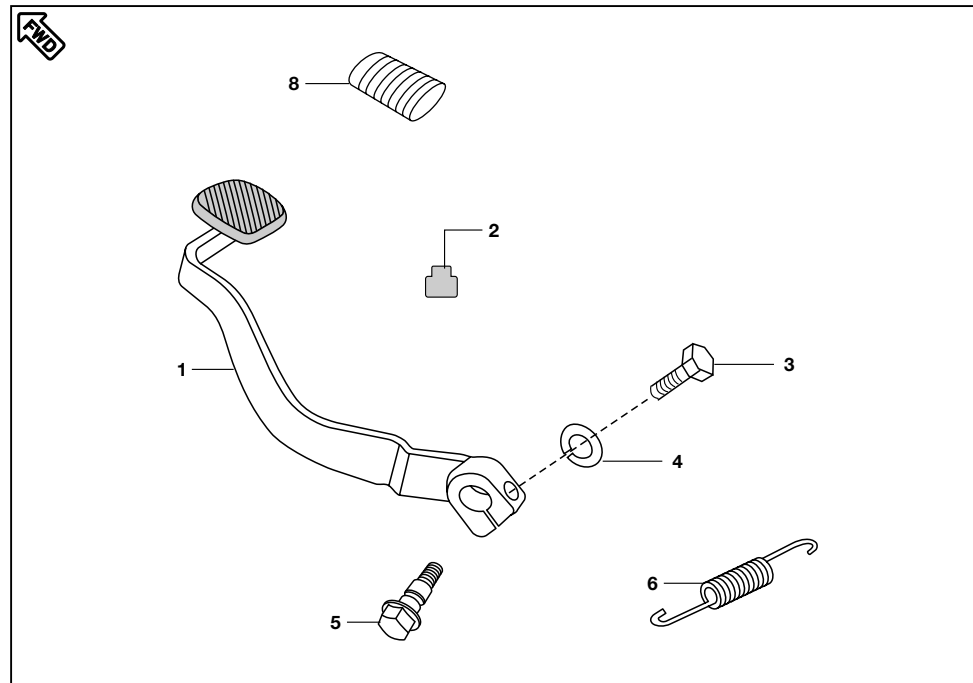
No.	Part No.	Description	Qty/ Veh.	Remarks
1	DK 1510 59	Caliper assembly rear	1	
1A	DK1510 83	Caliper assembly rear	1	Floating Type (New)
2	DK 1510 32	Hose disc brake	1	
3	DK 1510 33	Reservoir rear disc brake	1	
4	DK 1510 34	Reservoir tube	1	
5	39 2310 04	Flange bolt	2	
6	DK 1510 23	Caliper bracket	1	
7	39 2481 04	Caliper bracket Bolt	2	
8	DK 1510 45	Reservoir Wire cap	1	
9	DK 1510 63	Clip for reservoir tube	2	
10	DK 1510 69	Banjo Bolt	1	
11	DE 1910 10	Copper Washer	1	
12	DK 1510 38	Disc Pad	1	
12A	DK 1510 85	Disc Pad Modified	1	Floating Type (New)



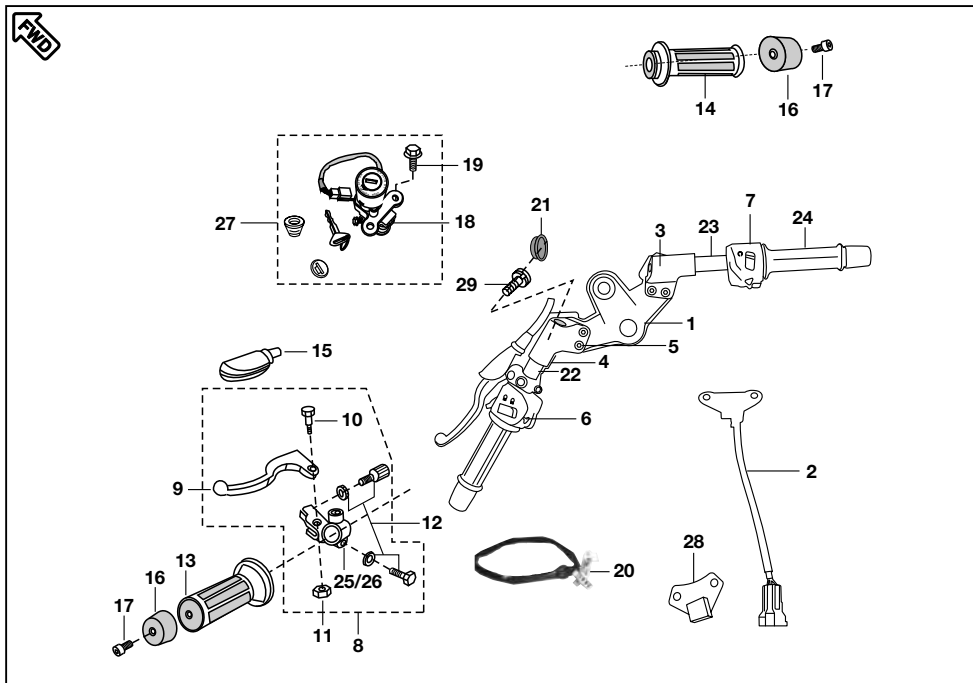
No.	Part No.	Description	Qty/ Veh.	Remarks
1	DK 1510 31	Master Cylinder	1	
2	DK 1510 73	Major Kit	1	(Includes Piston)
2A	DK 1510 74	Major Kit	1	(Does not Includes Piston))
3	DK 151078	Circlip	1	
4	DK 1510 43	Push Road	1	
5	DK 1510 42	Boot	1	
6	DK 1510 76	Connector	1	
7	DK 1510 77	Cap	1	



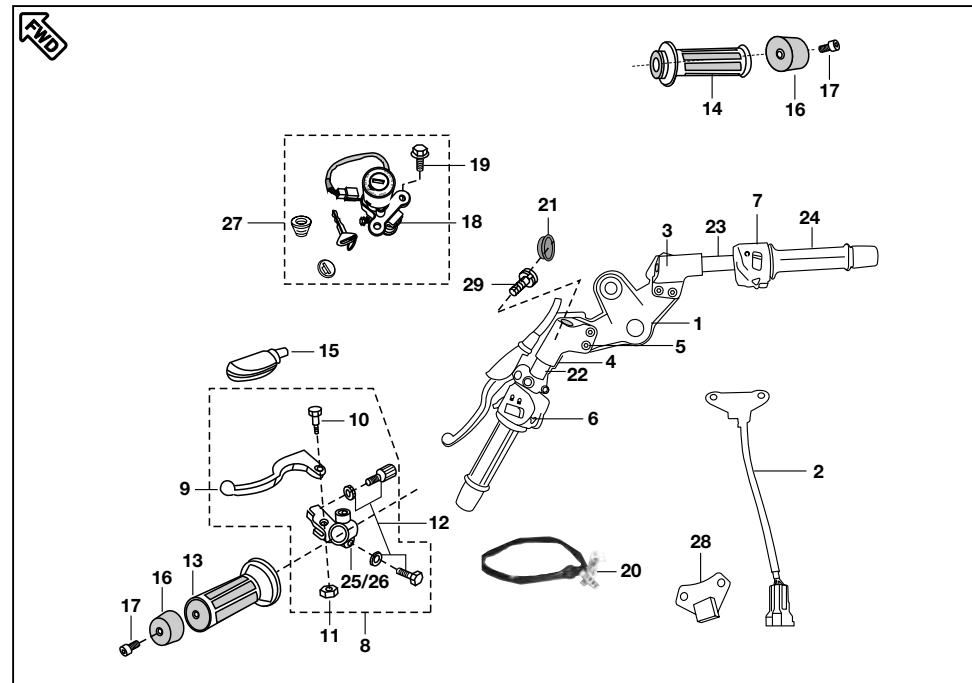
No.	Part No.	Description	Qty/ Veh.	Remarks
1	DK 1510 59	Caliper assy. Rear	1	
2	DK 1510 68	Seal	2	
-	DK 1510 71	Caliper Major Kit	1	(Includes Sr. No. 6,3,2,4)
--	DK 1510 70	Caliper Minor Kit	1	(Includes Sr. No. 6,3,2)
3	Not Serviceable	Scraper Ring	2	
4	Not Serviceable	Piston	2	
5	Not Serviceable	Half Caliper without Mounting	-	
6	Not Serviceable	'O' Ring	--	
7	Not Serviceable	Pad	--	
8	DK 1510 41	Spring Pad	1	
9	Not Serviceable	Pin Assly.	--	
9A	DK 1510 64	Pin	1	
9B	Not Serviceable	Fork	--	
10	DK 1510 65	Circlip	1	
11	DK 1510 67	Bleeder Screw	1	
12	DK 1510 66	Bleeder cap	1	
13	Not Serviceable	Thread Protector	-	
14	Not Serviceable	Shim Mounting Side	--	
15	Not Serviceable	Shim Wheel Side	--	
16	DK 1510 88	Piston Kit (major kit) floating caliper	1	Refer Page no. 69
17	DK 1510 89	Kit Piston Seal (Minor Kit)	1	Refer Page no. 69
18	DK 1510 90	Insulator Kit floating caliper	1	Refer Page no. 69



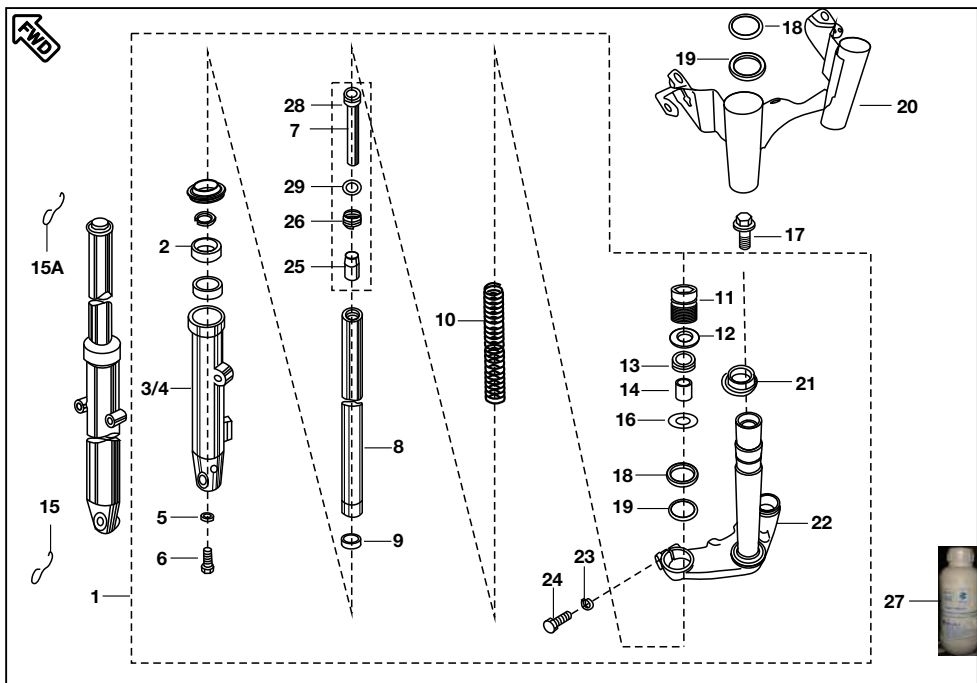
No.	Part No.	Description	Qty/ Veh.	Remarks
1	DK 1910 12	Lever Brake Pedal	1	
2	DG 1013 39	Damper	1	
3	DK 1011 86	Bolt pivot lever change	1	
4	DK 1011 85	Washer pivot bolt	1	
5	DK 1011 87	Collar pivot bolt	1	
6	DK 1910 13	Spring brake pedal	1	
7	DG 1013 39	Brake pedal rubber	1	



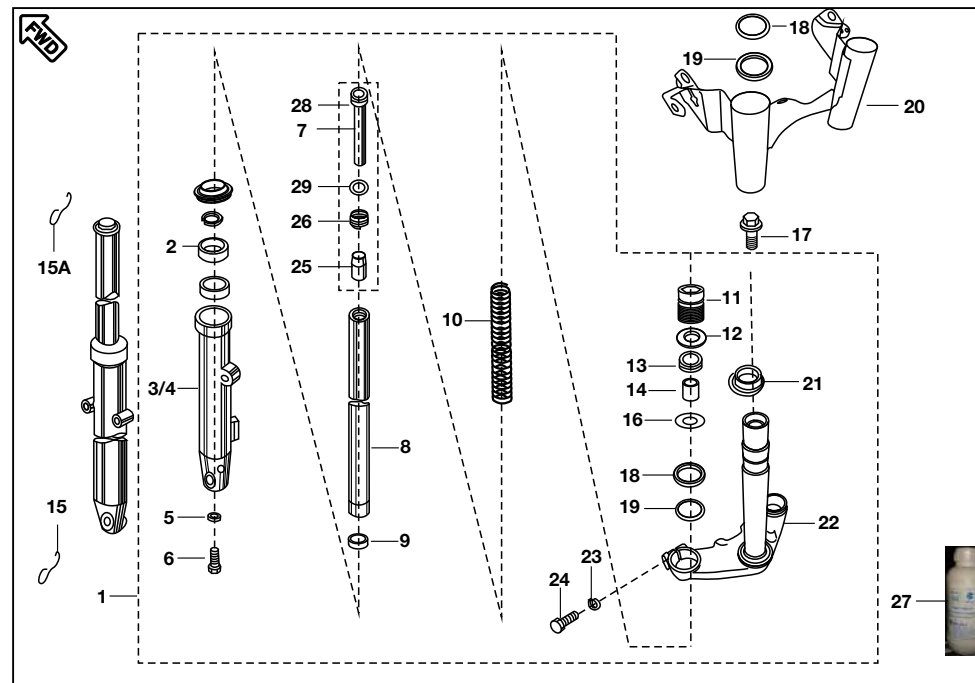
No.	Part No.	Description	Qty/ Veh.	Remarks
1	DK 1810 39	Upper Bracket	1	Silver colour
	DK 1810 63	Upper Bracket	1	Black colour
2	DK 2010 76	Hall sensor assly.	1	
3	DK 1810 85	Holder handle RH	1	Silver colour
	DK 1810 62	Holder handle RH	1	Black colour
4	DK 1810 81	Holder handle LH	1	Silver colour
	DK 1810 60	Holder handle LH	1	Black colour
5	DG 1810 08	Allen bolt	4	
6	DK 2010 70	Control switch LH	1	(220 F)
	JC 2010 17	Control switch LH	1	(220 SF)
7	DK 2010 71	Control switch RH	1	(220 F)
	JC 2010 18	Control switch RH	1	(220 SF)
8	DJ 1910 09	Lever & Holder Assly LH	1	
	DJ 1910 82	Lever & Holder Assly LH	1	(for Transil Diode Type Clutch Switch) from Chs. no. UCJ73042)
9	DJ 1910 55	Lever LH	1	
	DJ 1910 83	Lever LH (from Chs. no. UCJ73042)	1	(for Transil Diode Type Clutch Switch)
10	DL 1910 14	Stud lever handle	1	
11	39 1184 15	Self locking nut	1	
12	36 DK00 19	Hardware Holder kit LH	1	Ref. page no. 69
13	DH 1910 07	Grip LH	1	
14	DH 1910 08	Grip RH	1	
15	DH 1910 19	Boot for lever	1	



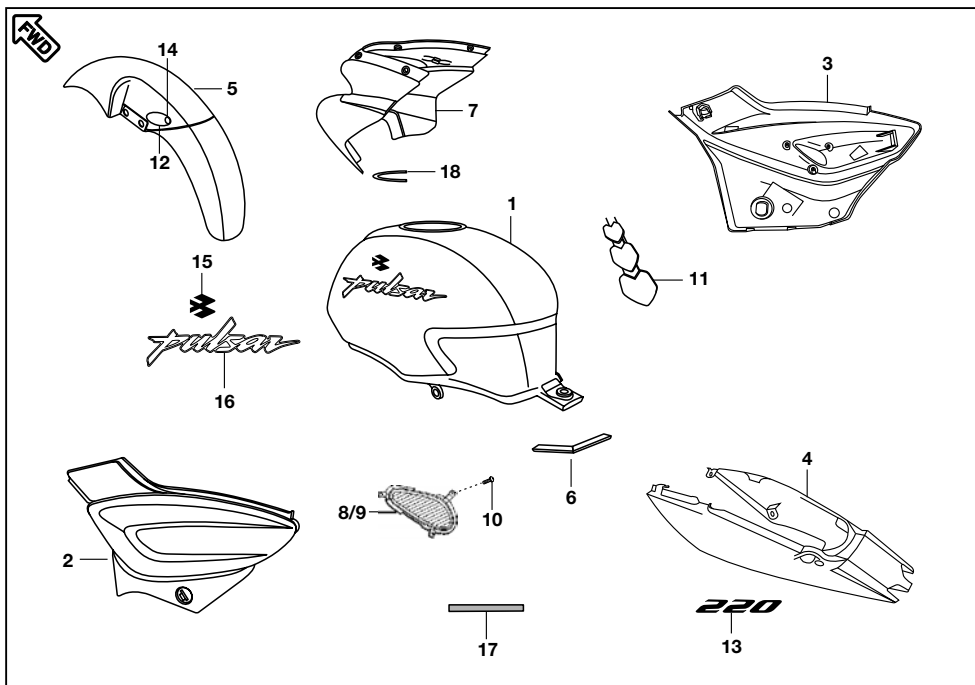
No.	Part No.	Description	Qty/ Veh.	Remarks
16	DH 1810 22	Handle bar weight	2	(220 F)
	DJ 1810 11	Handle bar weight	2	(220 SF)
17	39 2427 04	Hex. soc. hd. cap screw	2	
18	DK 2010 15	Switch assly. ignition	1	(220 F)
	JC 2010 45	Switch assly. ignition	1	(220 SF)
19	39 1943 04	Flange bolt	2	
20	DK 2010 83	Clutch Switch	1	(220 F)
	DJ 2011 95	Clutch Switch	1	(220 SF)
	DJ 2012 46	Clutch Switch (Transil Diode Type)	1	(220 SF & F)(from Chs. no. UCJ73042)
21	DK 1810 36	Handle bar plug	2	
22	DK 1810 82	Handle bar tube assly. LH	1	
23	DK 1810 86	Handle bar tube assly. RH	1	
24	DH 1910 17	Pipe throttle	1	
25	DK 2210 22	Mirror holder LH	1	(220 F)
	DJ 1910 54	Mirror holder LH	1	(220 SF)
26	DK 2210 23	Mirror holder RH	1	(220 F)
	DK 2210 15	Mirror holder RH	1	(220 SF)
27	DK 1810 34	Lock set 4-in-1	1	(220 F)
	JC 1810 29	Lock set 4-in-1	1	(220 SF)
28	DK 2010 39	Magnet Hall Sensor	1	
29	LA C000 20	Handle Bar bolt	2	



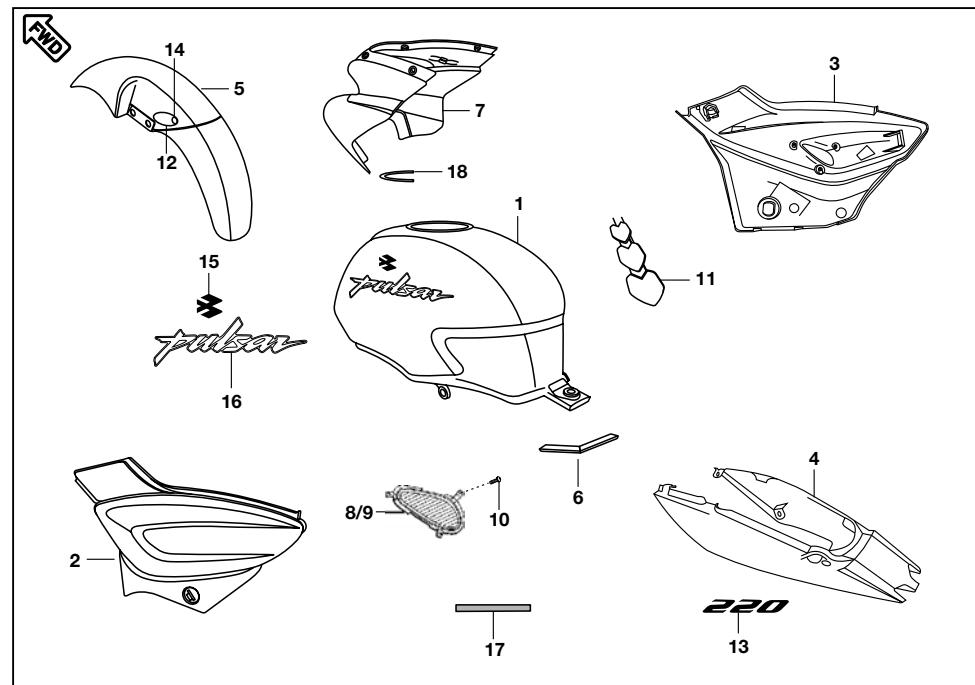
No.	Part No.	Description	Qty/ Veh.	Remarks
1	DK 1810 72	Fork front	1	
2	DK 1810 19	Oil seal	2	
3	DK 1810 56	Outer Tube LH	1	
4	DK 1810 57	Outer Tube RH	1	
5	DK 1810 07	Copper Washer	2	
6	DK 1810 06	Bolt	2	
7	DK 1810 10	Seat Pipe (Cylinder comp. fork)	2	
8	DK 1810 70	Pipe comp. suspension inner	2	
9	DK 1810 11	Slide Bush	2	
10	DK 1810 73	Spring front fork	2	
11	DK 1810 22	Bolt fork	2	
12	DK 1810 23	'O' ring	2	
13	31 1811 01	Seat fork spring	2	
14	DK 1810 71	Spacer Tube	2	
15	DK 1810 48	Clamp for brake hose lower	1	
15A	DK 1810 37	Clamp for brake hose upper	1	



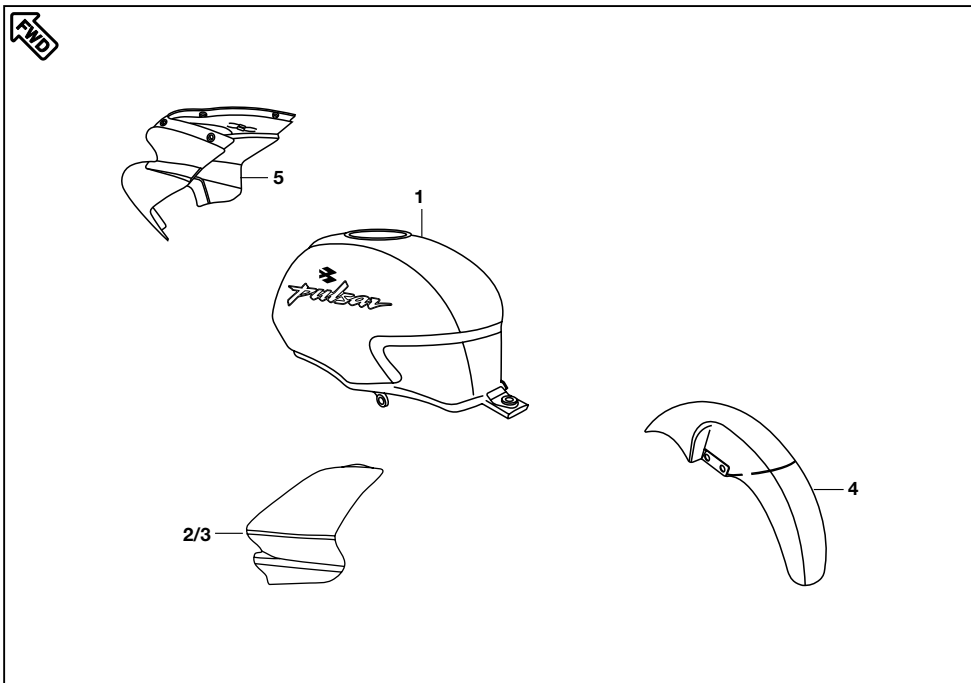
No.	Part No.	Description	Qty/ Veh.	Remarks
16	DK 1810 18	Washer	2	
17	59 0400 05	Bolt	1	
18	JC 1810 23	Cushion Rubber	2	
19	JC 1810 22	Cover Trail B	4	
20	JC 1810 24	Lamp Shade asly.	1	
21	DG 1810 05	Bearing cone	1	Included in kit 36 DV00 07
22	DK 1810 24	Holder fork under	1	
23	DK 1810 25	Spring washer	2	
24	DK 1810 08	Flange Bolt	2	
25	DK 1810 17	Guide bush	1	
26	DK 1810 13	Rebound spring	2	
27	36 3140 04	Fork Oil Bottle 160 ml	1	
28	DK 1810 09	Cap Oil Lock	2	
29	DK 1810 12	Piston Ring	2	



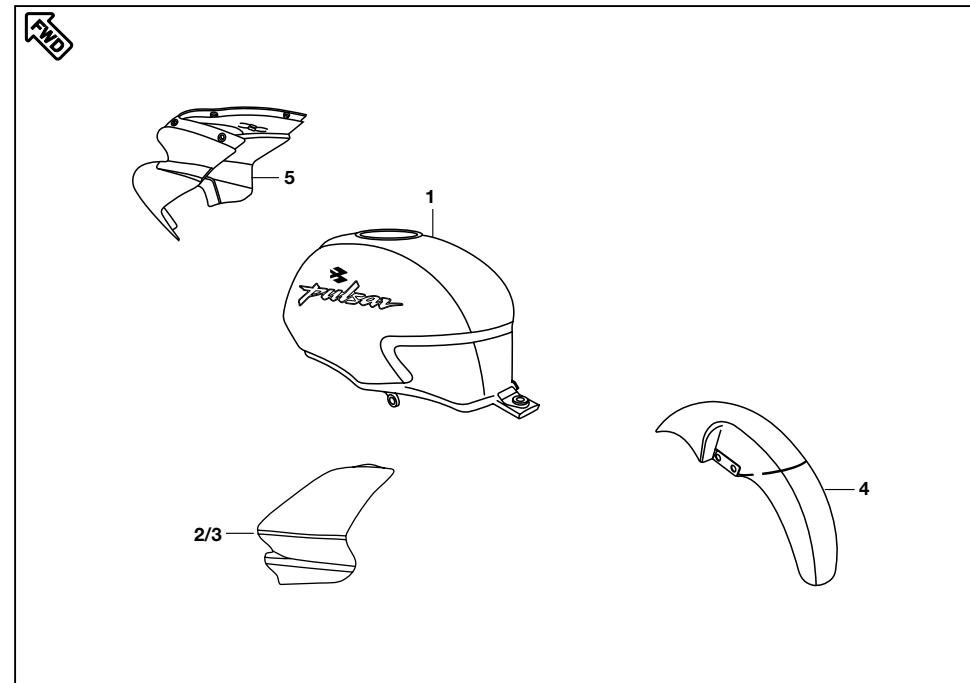
No.	Part No.	Description	Qty/ Veh.	Remarks
1	DK 7103 2V	Fuel Tank	1	FOR WINE RED
	DK 7103 4K	Fuel Tank	1	FOR PLASMA BLUE
	DK 7103 4L	Fuel Tank	1	FOR GREY SILVER
	DK 7103 4M	Fuel Tank	1	FOR MIDNIGHT BLACK
2	DK 7103 5C	Fuel Tank	1	FOR ORANGE METALLIC
	52 DH05 30	Side cover LH (for F&S)	1	FOR WINE RED
	52 DH05 28	Side cover LH (for F&S)	1	FOR PLASMA BLUE
	52 DH05 32	Side cover LH (for F&S)	1	FOR GREY SILVER
3	52 DH05 34	Side cover LH (for F&S)	1	FOR MIDNIGHT BLACK
	52 DH05 31	Side cover RH (for F&S)	1	FOR WINE RED
	52 DH05 29	Side cover RH (for F&S)	1	FOR PLASMA BLUE
	52 DH05 33	Side cover RH (for F&S)	1	FOR GREY SILVER
4	52 DH05 35	Side cover RH (for F&S)	1	FOR MIDNIGHT BLACK
	DK 7303 2V	Seat Cowl Assly. (for F&S)	1	FOR WINE RED
	DH 7303 4K	Seat Cowl Assly. (for F&S)	1	FOR PLASMA BLUE
	DH 7303 4L	Seat Cowl Assly. (for F&S)	1	FOR GREY SILVER
5	DH 7303 4M	Seat Cowl Assly. (for F&S)	1	FOR MIDNIGHT BLACK
	DH 7303 5C	Seat Cowl Assly. (for F&S)	1	FOR ORANGE METALLIC
	DK 7304 2V	Front Fender	1	FOR WINE RED
	DK 7304 4K	Front Fender	1	FOR PLASMA BLUE
	DK 7304 4L	Front Fender	1	FOR GREY SILVER
	DK 7304 4M	Front Fender	1	FOR MIDNIGHT BLACK



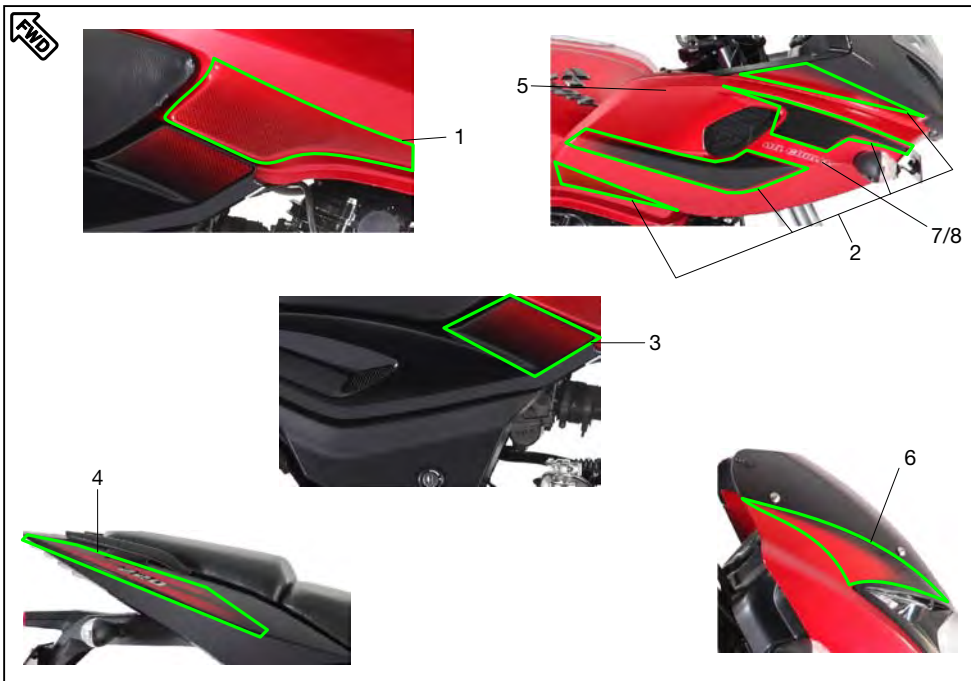
No.	Part No.	Description	Qty/ Veh.	Remarks
6	DH 1410 20	Seat tape	1	
7	DJ 7401 2V	Fairing	1	FOR WINE RED
	DK 7401 4K	Fairing	1	FOR PLASMA BLUE
	DK 7401 4L	Fairing	1	FOR GREY SILVER
	DK 7401 4M	Fairing	1	FOR MIDNIGHT BLACK
	DK 7401 5C	Fairing	1	FOR ORANGE
8	DK 1611 23	Cover Side Mesh LH	1	(For F&S)
9	DK 1611 24	Cover Side Mesh RH	1	(For F&S)
10	59 0200 01	Self tap screw	6	(For F&S)
11	DK 1410 15	Tank Pad	1	(For F&S)
12	DS 1611 25	Guide cable	1	
13	DK 1612 55	Decal for seat cowl	1	Common for all
	DK 1612 57	Decal for seat cowl	1	FOR ORANGE
	14	DJ 1610 69	Nail guide cable	1
15	JC 1410 49	B Monogram	1	
16	JC 1410 39	Pulsar Tank Decal	1	For Red Blue Black
	JC 1410 40	Pulsar Tank Decal	1	For Silver
17	DK 1612 10	Foam Tape II	16	
18	DK 1810 74	Beading For Fairing	1	



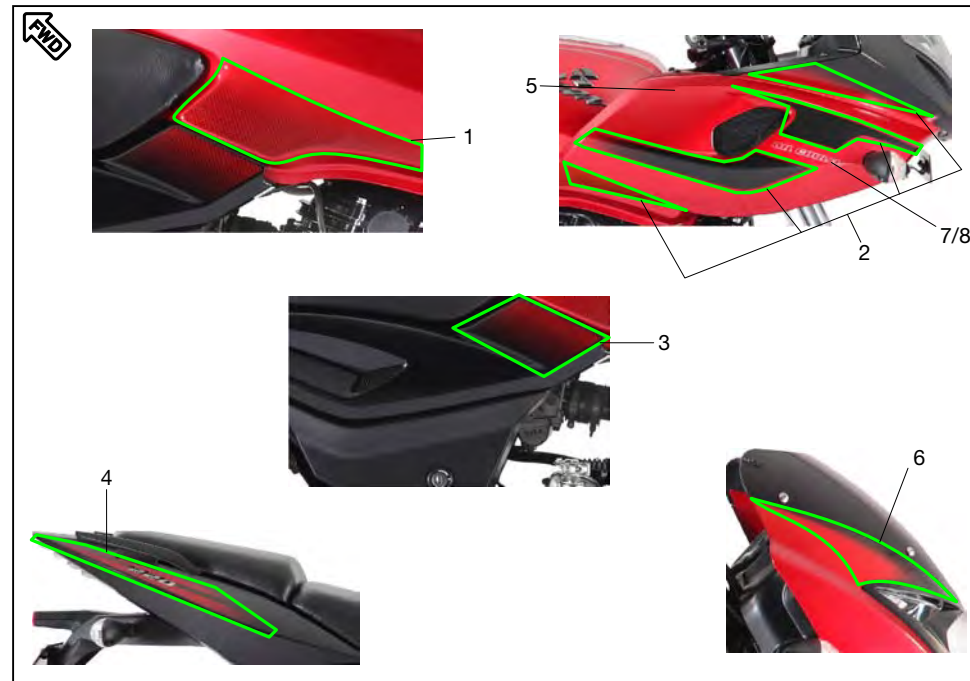
No.	Part No.	Description	Qty/ Veh.	Remarks
1	DK 7105 2V	Fuel Tank	1	FOR WINE RED
	DK 7105 4K	Fuel Tank	1	FOR PLASMA BLUE
	DK 7105 4L	Fuel Tank	1	FOR GREY SILVER
	DK 7105 4M	Fuel Tank	1	FOR MIDNIGHT BLACK
	DK 7105 5C	Fuel Tank	1	FOR ORANGE
	2	JC 7201 2V	Tank Flap LH	1
JC 7201 4K		Tank Flap LH	1	FOR PLASMA BLUE
JC 7201 4L		Tank Flap LH	1	FOR GREY SILVER
JC 7201 4M		Tank Flap LH	1	FOR MIDNIGHT BLACK
JC 7201 5C		Tank Flap LH	1	FOR ORANGE
3		JC 7202 2V	Tank Flap RH	1
	JC 7202 4K	Tank Flap RH	1	FOR PLASMA BLUE
	JC 7202 4L	Tank Flap RH	1	FOR GREY SILVER
	JC 7202 4M	Tank Flap RH	1	FOR MIDNIGHT BLACK
	JC 7202 5C	Tank Flap RH	1	FOR ORANGE
	4	DK 7304 2V	Front Fender	1
DK 7304 4K		Front Fender	1	FOR PLASMA BLUE
DK 7304 4L		Front Fender	1	FOR GREY SILVER
DK 7304 4M		Front Fender	1	FOR MIDNIGHT BLACK



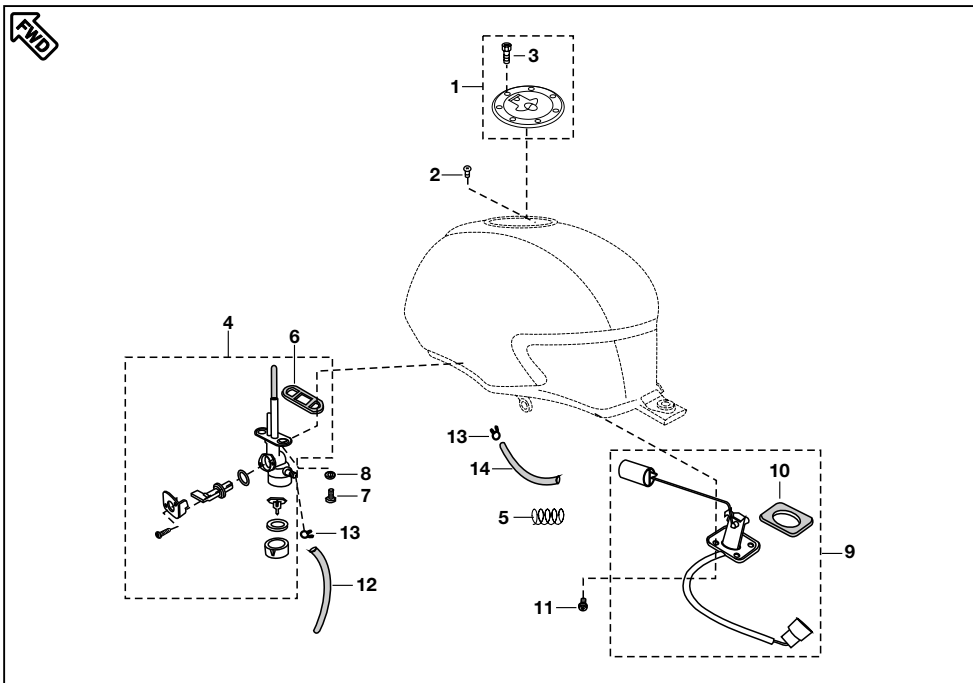
No.	Part No.	Description	Qty/ Veh.	Remarks
5	DH 7401 2V	Fairing	1	FOR WINE RED
	DH 7401 4K	Fairing	1	FOR PLASMA BLUE
	DH 7401 4L	Fairing	1	FOR GREY SILVER
	DH 7401 4M	Fairing	1	FOR MIDNIGHT BLACK
	DH 7401 5C	Fairing	1	FOR ORANGE



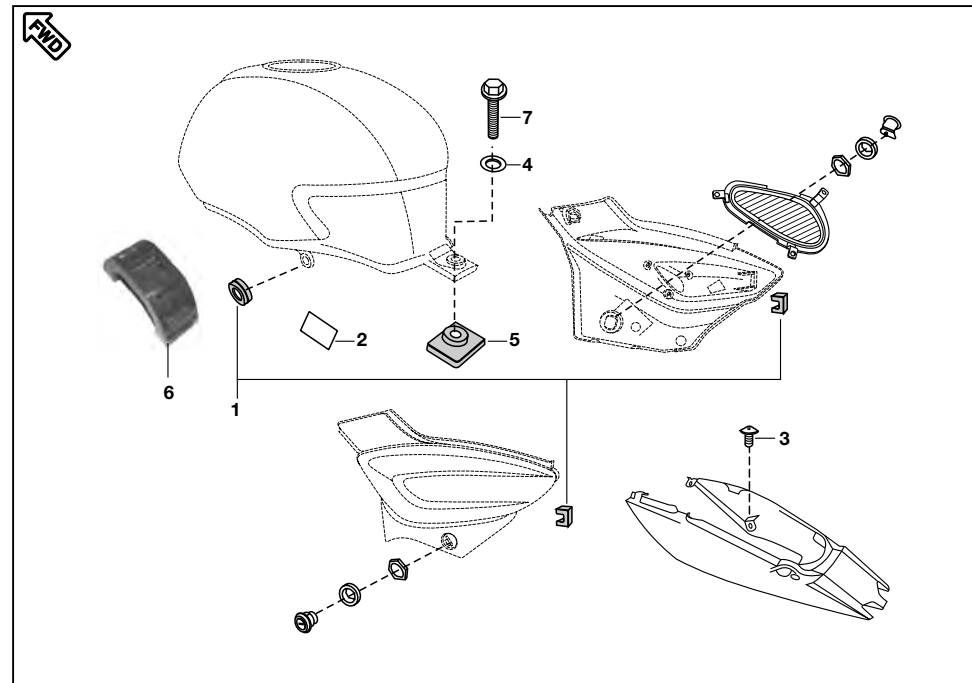
No.	Part No.	Description	Qty/ Veh.	Remarks
1	36 DK00 82	Kit Decal Tank 220 F Blue	1	220 F
	36 DK00 86	Kit Decal Tank 220 F Red	1	220 F
	36 DH40 34	Kit Decal Tank Pulsar Blue	1	220 SF
	36 DH40 37	Kit Decal Tank Pulsar Red	1	220 SF
2	36 DK00 83	Kit Decal Fairing 220 F Blue	1	220 F
	36 DK00 87	Kit Decal Fairing 220 F Red	1	220 F
3	36 DK00 84	Kit Decal Side Cover Blue	1	220 F / SF
	36 DK00 88	Kit Decal Side Cover Red	1	220 F / SF
4	36 DK00 85	Kit Decal Cowling 220 F Blue	1	220 F
	36 DK00 89	Kit Decal Cowling 220 F Red	1	220 F
	36 DH40 36	Kit Decal Cowling Pulsar Blue	1	220 SF
	36 DH40 39	Kit Decal Cowling Pulsar Red	1	220 SF
5	52 DK02 01	Fairing 220 F with Decal Blue	1	220 F
	52 DK02 00	Fairing 220 F with Decal Red	1	220 F
6	36 DH40 35	Kit Decal Fairing Pulsar Blue	1	220 SF
	36 DH40 38	Kit Decal Fairing Pulsar Red	1	220 SF



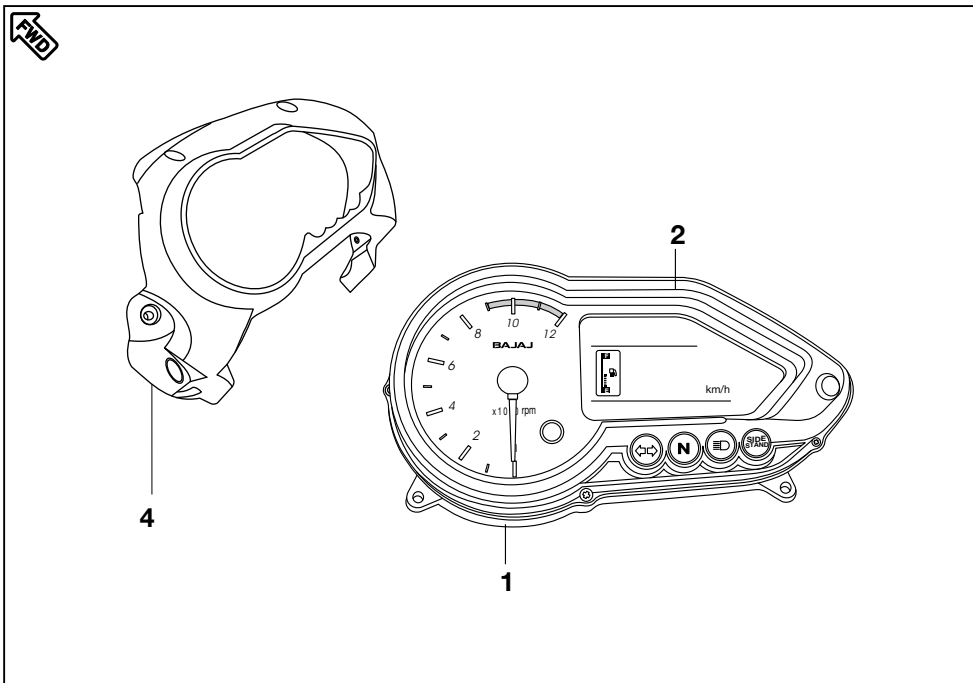
No.	Part No.	Description	Qty/ Veh.	Remarks
7	JC 1410 18	Decal Oil Cooled LHS	1	
8	JC 1410 19	Decal Oil Cooled RHS	1	



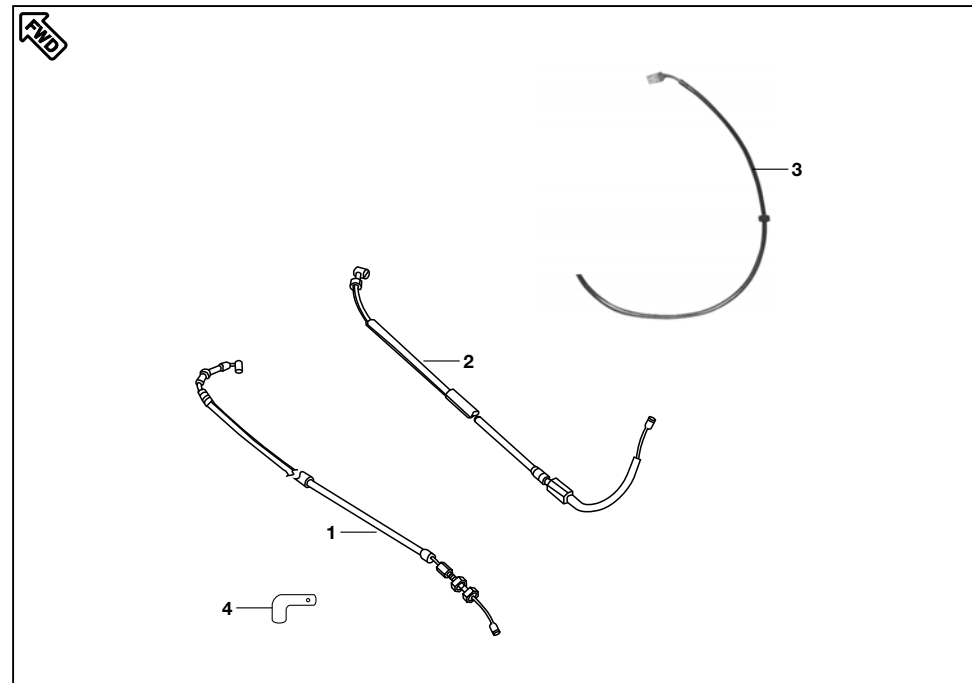
No.	Part No.	Description	Qty/ Veh.	Remarks
1	DK 1410 14	Cap Assly. Tank	1	
2	39 0840 01	Pan head screw	1	
3	39 2381 04	Hex. Soc Hd. cap screw	7	
4	DK 1410 01	Tap Assly	1	
5	JC 1410 34	Spring drain tube	1	
6	30 1410 36	Packing	1	
7	DD 1410 22	Bolt flanged	2	
8	39 0740 11	Plain Washer	2	
9	DK 2010 65	Gauge Fuel (Tank Unit)	1	
10	39 2758 21	Gasket fuel Gauge	1	
11	30 1410 32	Bolt	4	
12	52 DJ03 13	Tube fuel	1	
13	BA 1220 03	Pipe clip	1	
14	DH 1410 24	Drain tube	1	



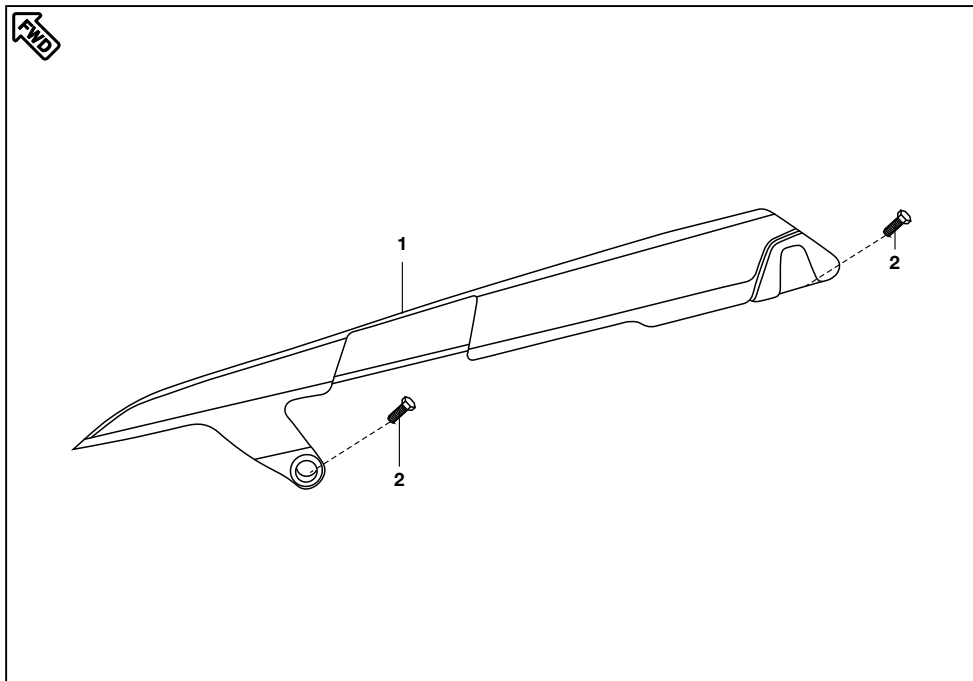
No.	Part No.	Description	Qty/ Veh.	Remarks
1	DK 1611 85	Grommet Kit For side cover	1	Ref. Page No. 69
2	DH 1410 31	Tape tank inner	2	
3	DG 1611 21	Screw	2	
4	39 2424 11	Plain Washer	1	
5	DH 1410 23	Damper Rear	1	
6	DJ 1410 08	Damper front	2	
7	39 1556 04	Flanged Bolt	1	



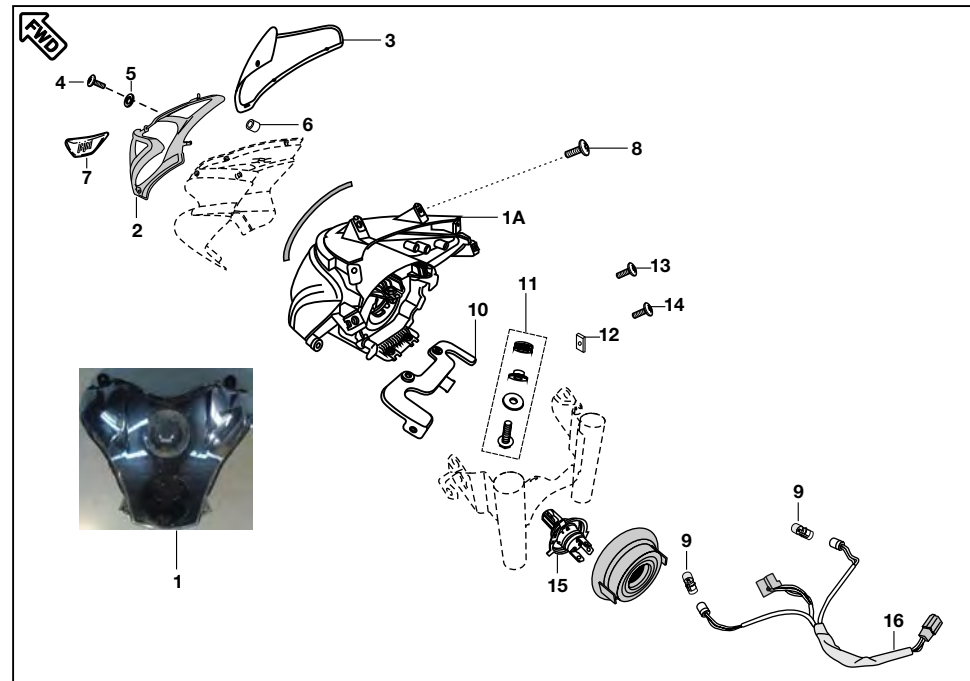
No.	Part No.	Description	Qty/ Veh.	Remarks
1	JC 1910 18	Meter Assly / Instrument Cluster	1	(220 F)
	JC 1910 14	Instrument Cluster	1	(220 SF)
2	DJ 2011 59	Speedometer top cover	1	
3	DJ 2011 82	Speedo gasket	1	N.I.
4	DJ 1811 19	Speedometer Back Cover Fairing	1	(220 SF)



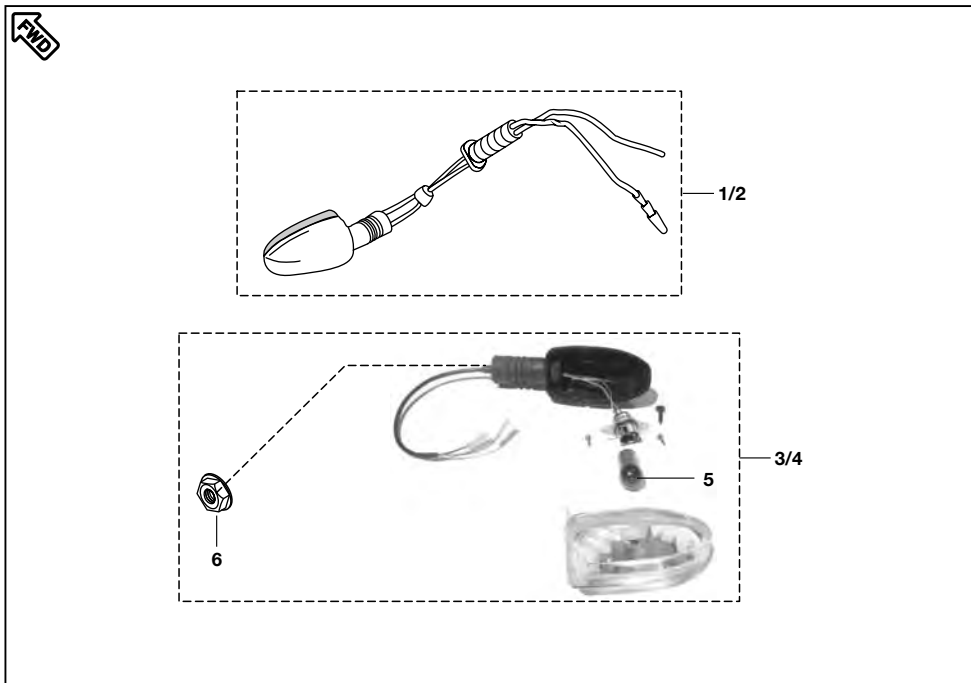
No.	Part No.	Description	Qty/ Veh.	Remarks
1	JC 1910 19	Assembly Throttle	1	
2	JC 1910 04	Cable Clutch	1	
3	DK 2010 98	Sensor speedometer cable	1	(F) With Sleeve
4	JC 2010 46	Stopper	1	



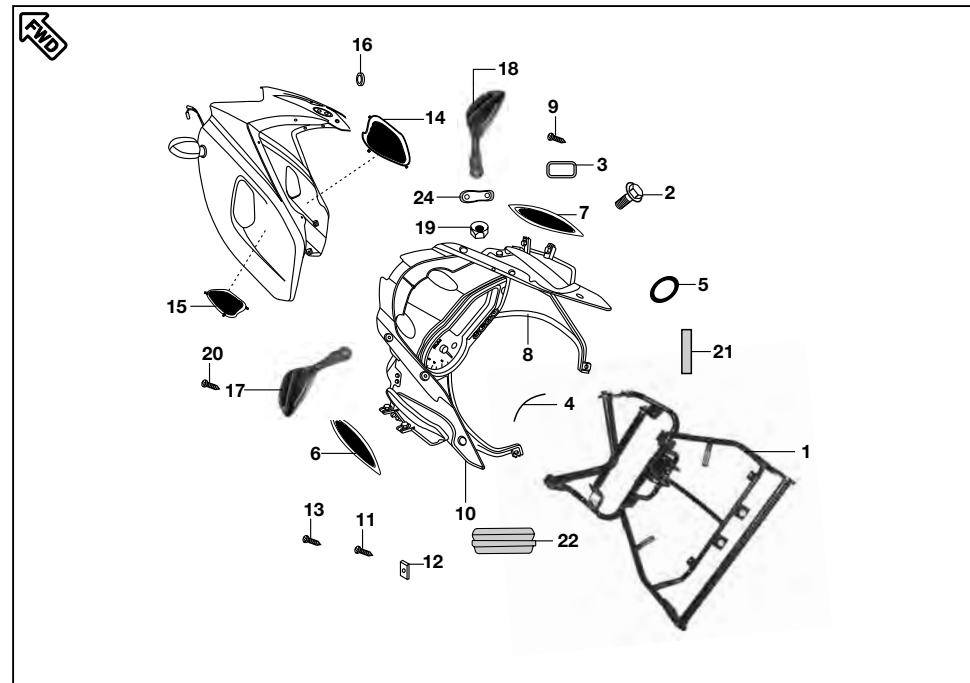
No.	Part No.	Description	Qty/ Veh.	Remarks
1	DK 1612 50	Cover chain	1	
2	DS 1612 24	Bolt	2	



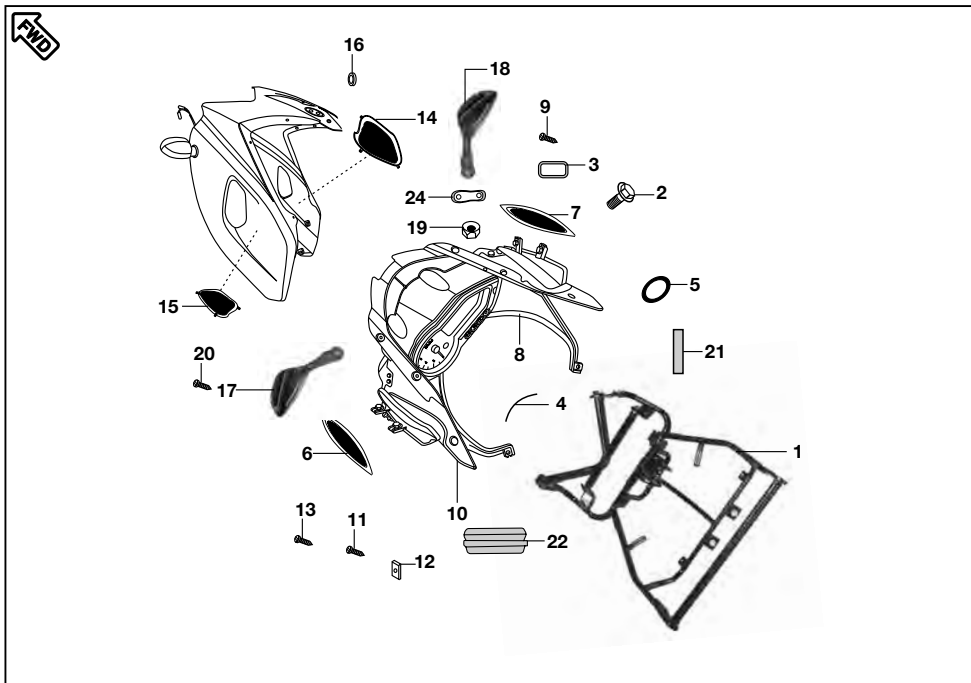
No.	Part No.	Description	Qty/ Veh.	Remarks
1	DK 2010 56	Head Lamp assly. without bulb	1	(220 F)
1A	DJ 2011 76	Head Lamp assly. without bulb	1	(220 SF)
2	DJ 1811 20	Back cover	1	
3	DK 1610 69	Wind Shield	1	(220 F)
	DJ 1810 33	Wind Shield	1	(220 SF)
4	DF 1810 98	Bolt	4	
5	39 2141 24	Non Metallic Washer	4	
6	DL 1810 10	Well Nut	4	
7	DK 1612 08	Decal Wind Shield	1	
8	39 1907 01	M5 x 15L mushroom HD	2	
9	DK 2010 44	Bulb	2	
10	DH 1810 52	Fairing mounting upper bracket	1	
11	36 DK00 21	Kit hardware mtg. bracket	1	Ref. page no. 69
12	DJ 1810 65	Clip Nut	4	
13	39 0716 01	Screw pan cross	2	
14	39 1524 01	Screw pan cross	2	
15	DK 2010 43	Headlight bulb	2	(220 F)
	JC 2010 09	Headlight bulb	1	(220 SF)
16	DK 2011 17	Wiring harness for HL	1	(220 F)
	DJ 2012 30	Wiring harness for HL	1	(220 SF)



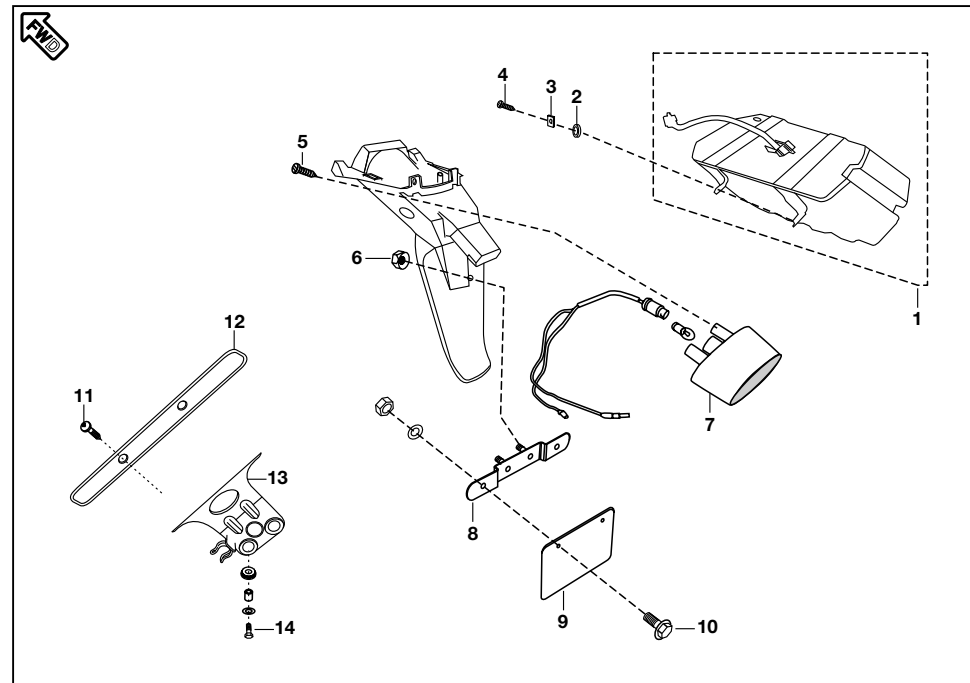
No.	Part No.	Description	Qty/ Veh.	Remarks
1	DJ 2012 07	Indicator front LH	1	
2	DJ 2012 06	Indicator front RH	1	
3	DJ 2012 06	Indicator rear LH	1	
4	DJ 2012 07	Indicator rear RH	1	
5	GH 2010 12	Lamp	1	
6	39 1970 15	Hex Nut Flange	4	



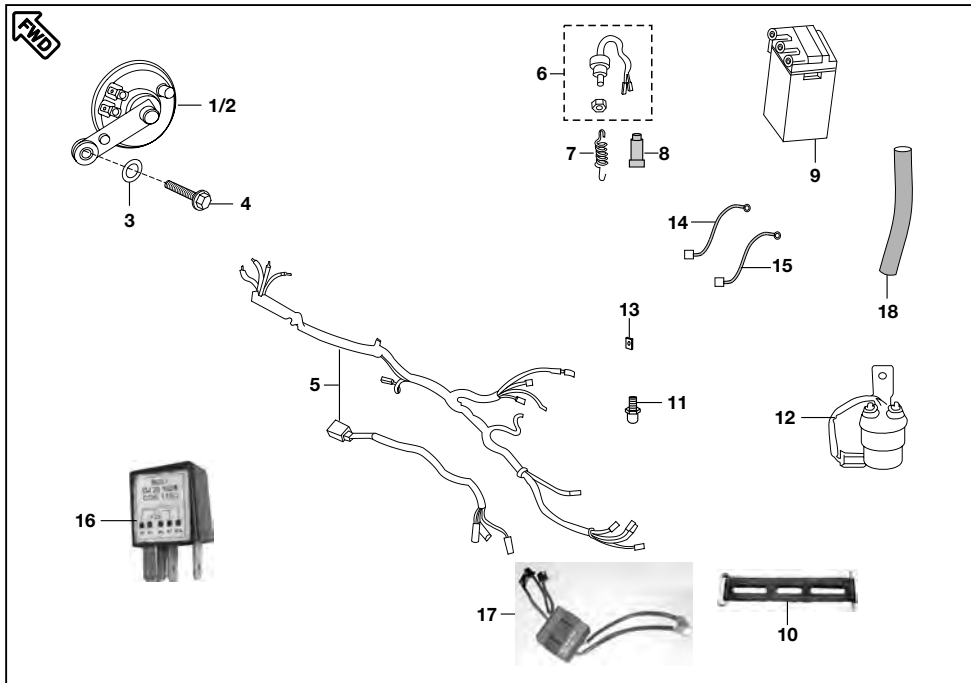
No.	Part No.	Description	Qty/ Veh.	Remarks
1	52 DK01 44	Faring mtg. structure	1	
2	39 1956 04	Flange bolt	2	
3	DK 1610 81	Rubber grommet Fairing mtg.	4	
4	DK 1610 82	Sleeve Fairing	1	
5	DK 1611 26	Damper for fairing	4	
6	DK 1610 70	Fairing air intake LH	1	
7	Dk 1610 71	Fairing air intake RH	1	
8	DK 1610 72	Fairing under cover	1	
9	59 0200 01	Self tapping screw	4	
10	DK 1610 73	Fairing back cover assly.	1	
11	39 1778 02	Self tapping screw for speedo	1	
12	DJ 1612 29	Clip nut	1	
13	39 1907 01	Screw	12	
14	DK 1610 76	Fairing mesh LH	1	
15	DK 1610 77	Fairing mesh RH	1	



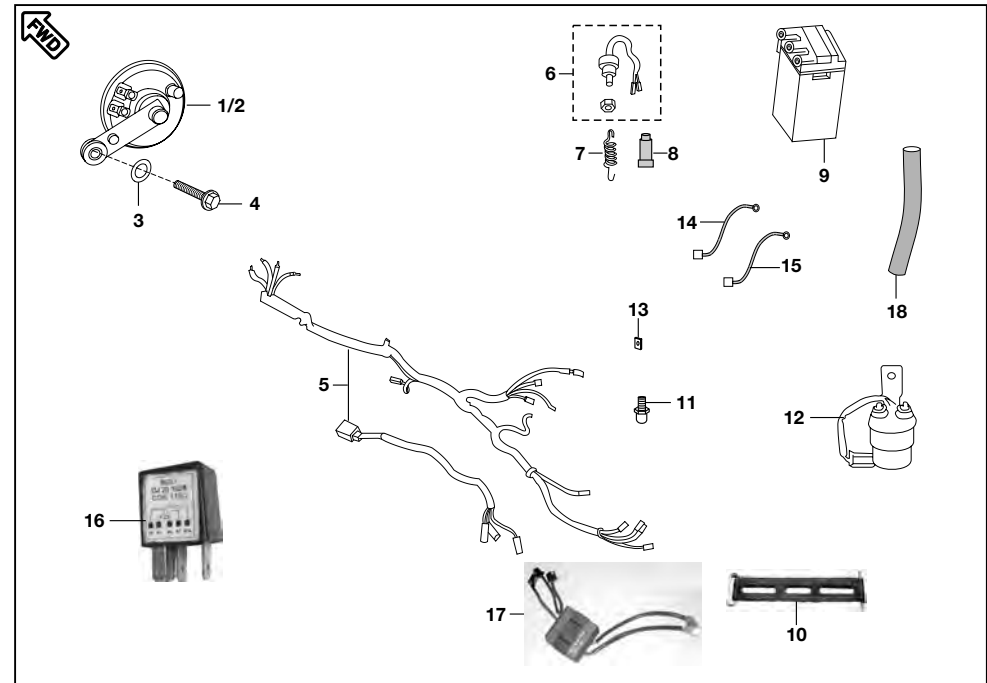
No.	Part No.	Description	Qty/ Veh.	Remarks
16	39 1918 24	Washer	6	
17	DK 2210 14	Mirror assly. LH	1	(220 F)
	DJ 2210 03	Mirror assly. LH	1	(220 SF)
18	DK 2210 15	Mirror assly. RH	1	(220 F)
	DJ 2210 04	Mirror assly. RH	1	(220 SF)
19	DK 2210 01	Nut for mirror	1	
20	59 0200 01	Screw (self tapping)	6	
21	DK 1612 10	Tape	16	
22	JN 1814 06	Beading	1	
23	DK 1611 52	Nylon bush for fairing	2	
24	DK 1611 25	Rubber for mirror	2	



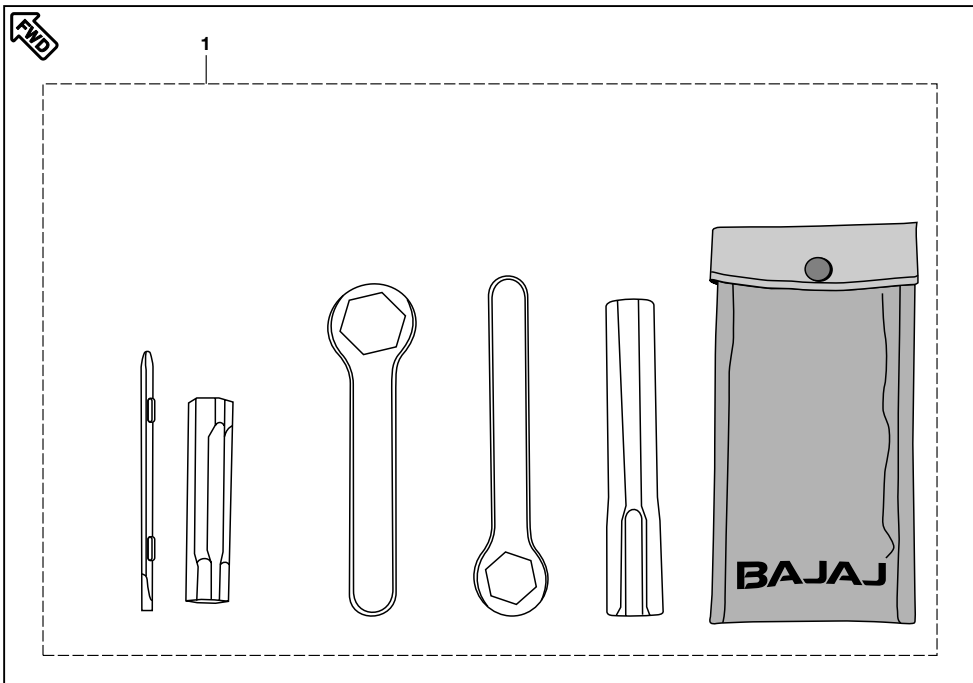
No.	Part No.	Description	Qty/ Veh.	Remarks
1	DK 2010 03	Tail light with Lamp	1	
2	DH 1612 93	Damper	2	
3	DK 1611 53	Clip Nut	4	
4	59 0100 13	Screw pan cross	4	
5	39 0705 01	Truss Screw	2	
6	39 1972 15	Bolt flange	2	
7	JW 4010 11	No. Plate illumination	1	
8	DJ 1610 72	Rear No. plate bkt.	1	
9	DP 1611 45	Number plate Rear	1	
10	39 1680 04	Hex Flanged Bolt	2	
11	39 1783 01	Truss Screw	2	For Front No. Plate
12	DP 1611 44	Number plate front	1	
13	DS 1810 26	No. plate mounting bracket	1	(220 F)
	JC 1610 26	No. plate mounting bracket	1	(220 SF)
14	39 1773 04	Bolt flange	2	
15	DK 1611 64	Blinker mounting bracket	1	



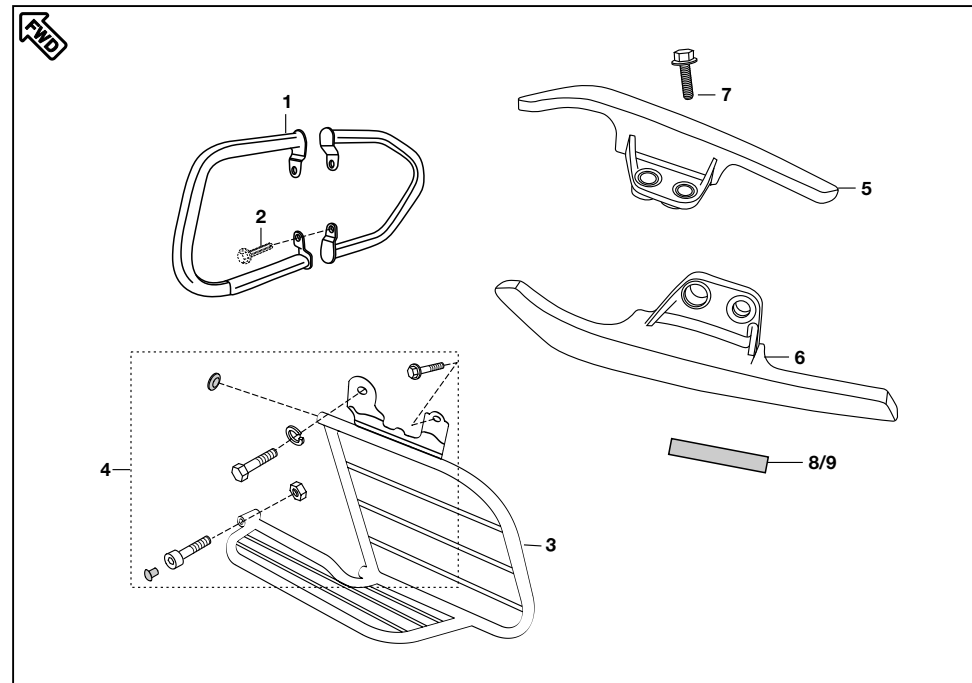
No.	Part No.	Description	Qty/ Veh.	Remarks
1	DK 2010 37	Horn LH stay	1	
2	DK 2010 38	Horn RH stay	1	
3	39 1507 11	Plain Washer	1	
4	39 1956 04	Flange Bolt	1	
5	JC 2010 41	Wiring Harness	1	(220 F)
	JC 2010 37	Wiring Harness	1	(220 SF)
6	31 2010 79	Rear Brake Switch	1	
7	DK 1910 14	Spring Brake Switch	1	
8	DH 2010 19	Grommet Rear Brake Switch	1	
9	DJ 2011 26	Dry Battery (12V-9A)	1	
10	DJ 1612 47	Band Battery	1	
11	39 1551 04	Flange Bolt	1	
12	DK 2010 78	Starter Relay / Damper	1	
13	DJ 1810 65	Clip Nut	4	



No.	Part No.	Description	Qty/ Veh.	Remarks
14	JC 2010 27	Cable assly. (Battery to St. Relay)	1	
15	DJ 2011 40	Cable assly. (Battery to Earth)	1	
16	AL 2010 12	Main relay	1	
17	JC 2010 40	B.C.U.	1	(220 F)
	JC 2010 16	B.C.U.	1	(220 SF)
18	JD 4018 06	Battery Drain Pipe	1	



No.	Part No.	Description	Qty/ Veh.	Remarks
1	DK 2210 11	Tool Kit	1	
2	DK 2210 24	Band tool kit	2	N.I.



No.	Part No.	Description	Qty/ Veh.	Remarks
1	36 DK00 33	Leg Guard Kit	1	
2	39 2310 04	Flange bolt	4	
3	DK 1611 76	Sari Guard Assly.	1	
4	36 DK00 23	Kit hardware sari guard	1	Ref. page no. 69
5	DK 1611 47	Grab handle LH	1	
	DK 1612 17	Grab handle LH	1	Black color
6	DK 1611 48	Grab handle RH	1	
	DK 1612 18	Grab handle RH	1	Black color
7	39 2310 04	Bolt Flange	4	
8	DJ 1610 79	Foam LH For grab	1	
9	DJ 1610 80	Foam RH For grab	1	