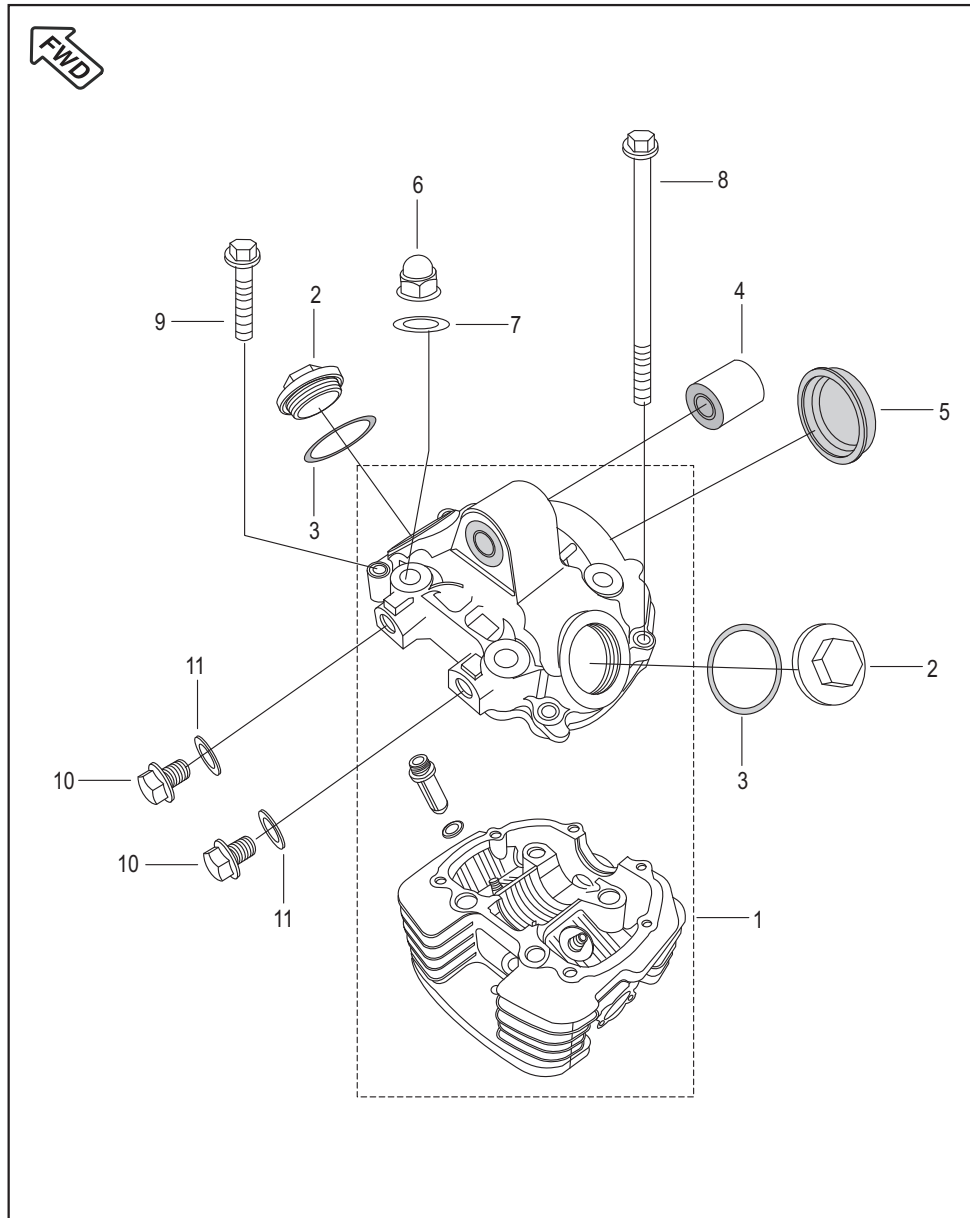
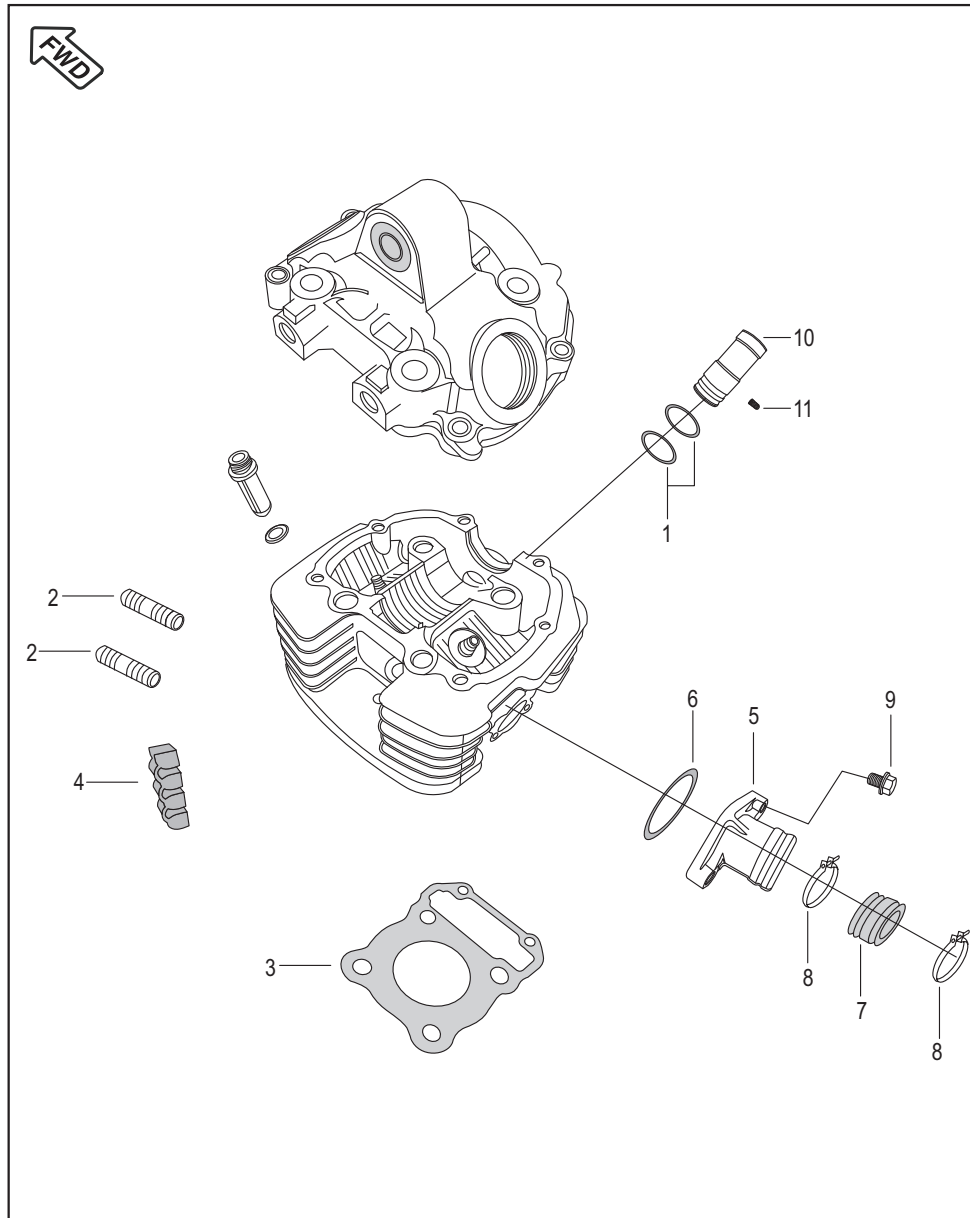


Cover Cylinder Head



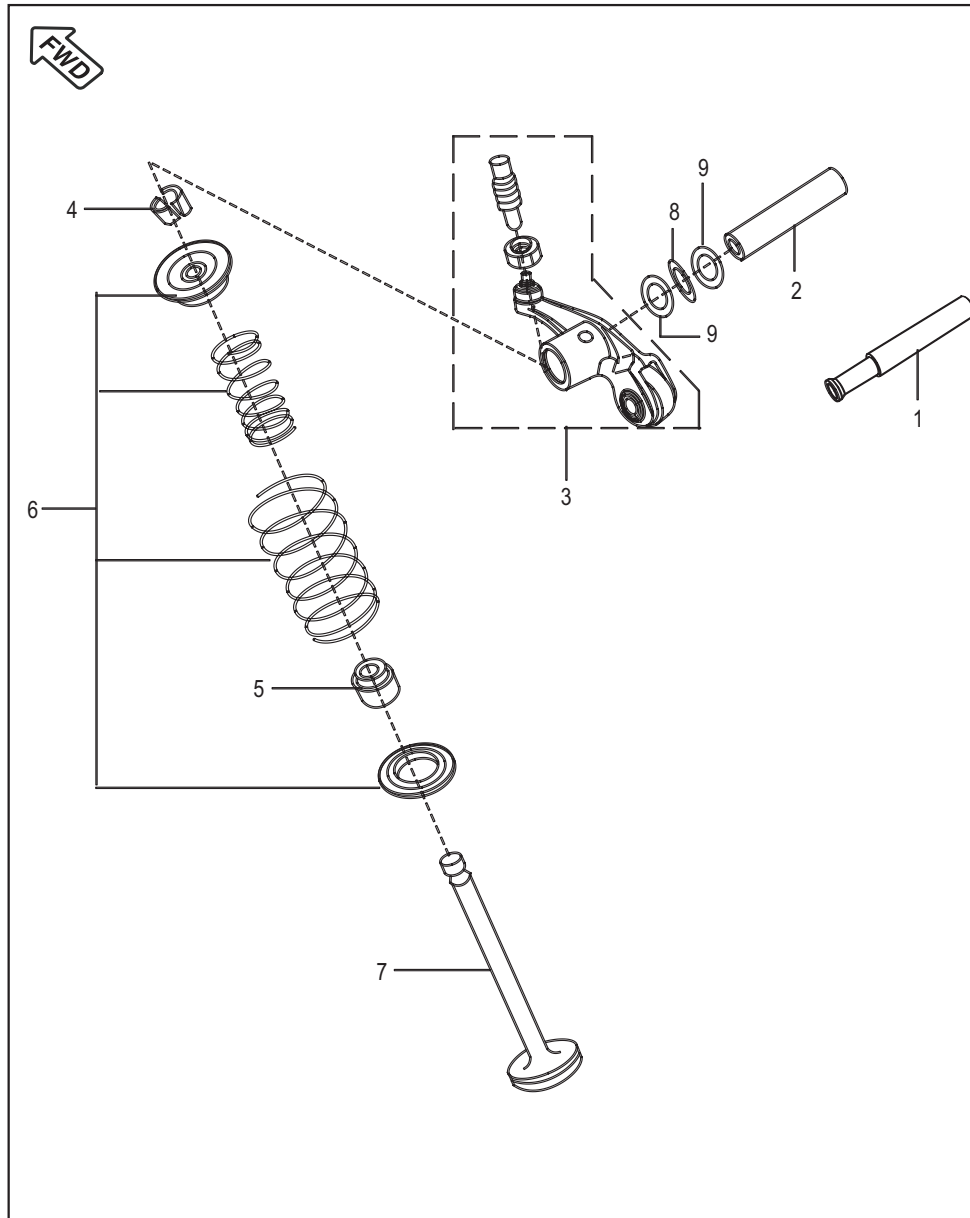
No.	Part No.	Description	Qty. /Veh.	Remarks
1	DJ 1013 90	Head Cylinder with Cover	1	
	36 DJ40 28	Head Cylinder with Cover (W/o NRB)	1	From Eng. No. BUG20501
2	DJ 1012 17	Cover Tappet	2	
3	36 DS10 01	'O' Ring Kit for Cover Cyl. Head	1	Ref. Page No. 101
4	DS 1011 66	Silent Bush	1	
5	DS 1010 96	Camshaft Cap	1	
6	39 2647 15	Domed Cap Nut	4	
7	DS 1013 16	Copper Washer	4	
8	39 2532 04	Hex. Bolt with Flange	2	
9	39 1075 04	Hex. Bolt / Flange	4	
10	DH 1012 72	Plug	2	
11	DG 1014 98	Gasket	2	

Cylinder Head



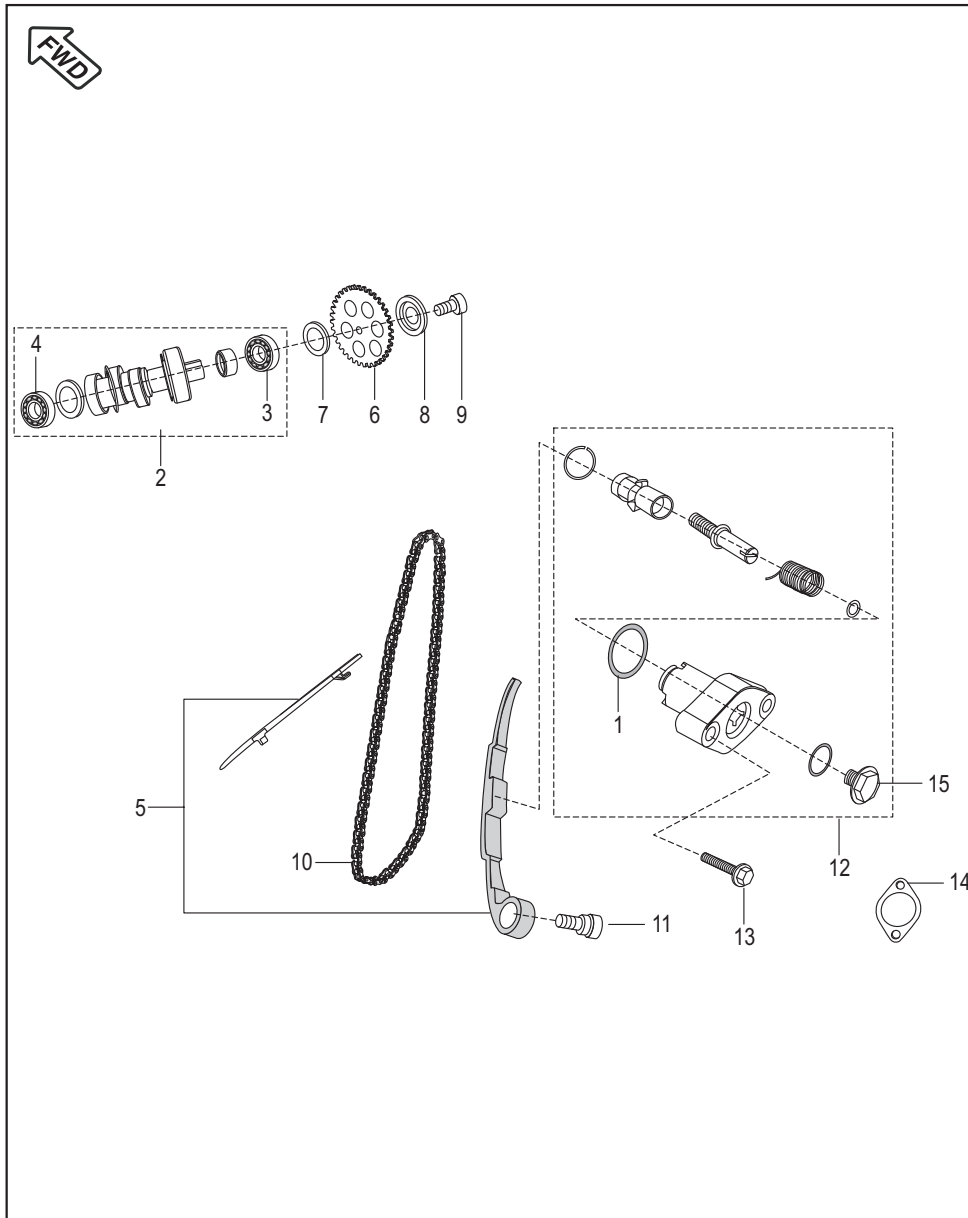
No.	Part No.	Description	Qty. /Veh.	Remarks
1	36 DS10 01	'O' Ring Kit for Cover Cyl. Head	1	Ref. Page No.101
2	39 1660 05	Stud (Exhaust)	2	
3	DJ 1010 12	Gasket Cylinder Head	1	
4	DH 1015 08	Damper Cylinder Head	5	
5	DJ 1012 15	Intake Pipe	1	
6	39 2539 21	'O' Ring (Intake Pipe)	1	
7	DJ 1210 22	Carburettor Insulator	1	
8	DH 1210 38	Clamp for Insulator	2	
9	39 1674 04	Hex. Bolt / Flange	2	
10	DH 1110 12	Sleeve - Spark Plug	1	
11	39 2608 01	Grub Screw	1	For Sleeve Spark Plug

Valve



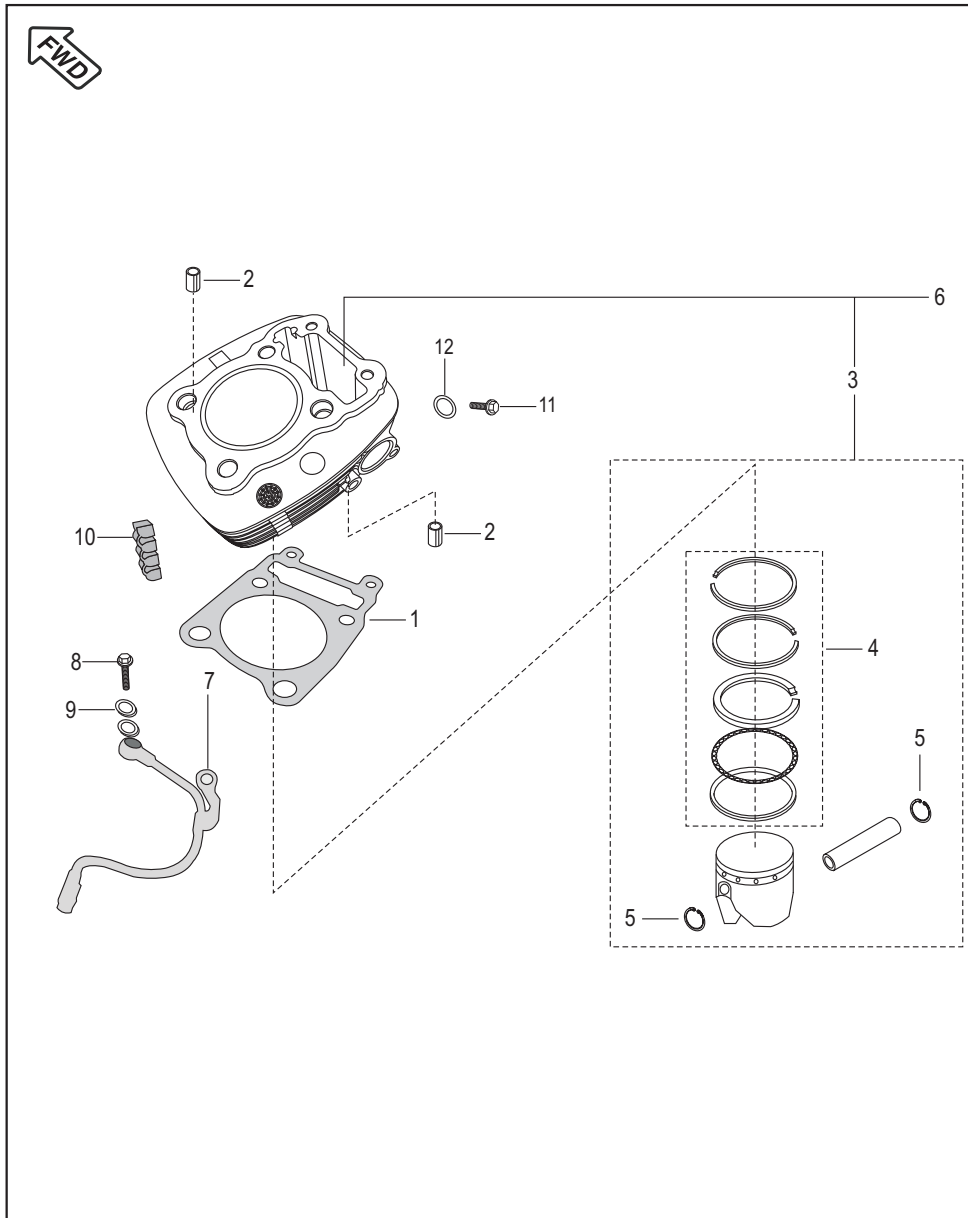
No.	Part No.	Description	Qty. /Veh.	Remarks
1	DS 1013 35	Rocker Arm Shaft - Intake	1	
	DK 1017 48	Rocker Arm Shaft - Intake W/o NRB	1	From Eng. No. BUG20501
2	DS 1013 36	Rocker Arm Shaft - Exhaust	1	
	DK 1017 51	Rocker Arm Shaft - Exhaust W/o NRB	1	From Eng. No. BUG20501
3	DS 1013 33	Rocker Arm with roller	2	
	DK 1017 55	Rocker Arm	2	From Eng. No. BUG20501
4	DG 1010 29	Cotter valve	4	
5	39 2017 19	Seal valve stem	2	
6	DK 1013 26	Valve Repair Kit	1	Ref. Page No. 101
7	36 DJ10 04	Valve Kit	1	Ref. Page No. 101
8	DS 1013 66	Wave washer	2	
	DH 1012 95	Wave washer	2	From Eng. No. BUG20501
9	59 1100 02	Plain washer	4	
	39 2440 11	Plain Washer	4	From Eng. No. BUG20501

Camshaft / Tensioner



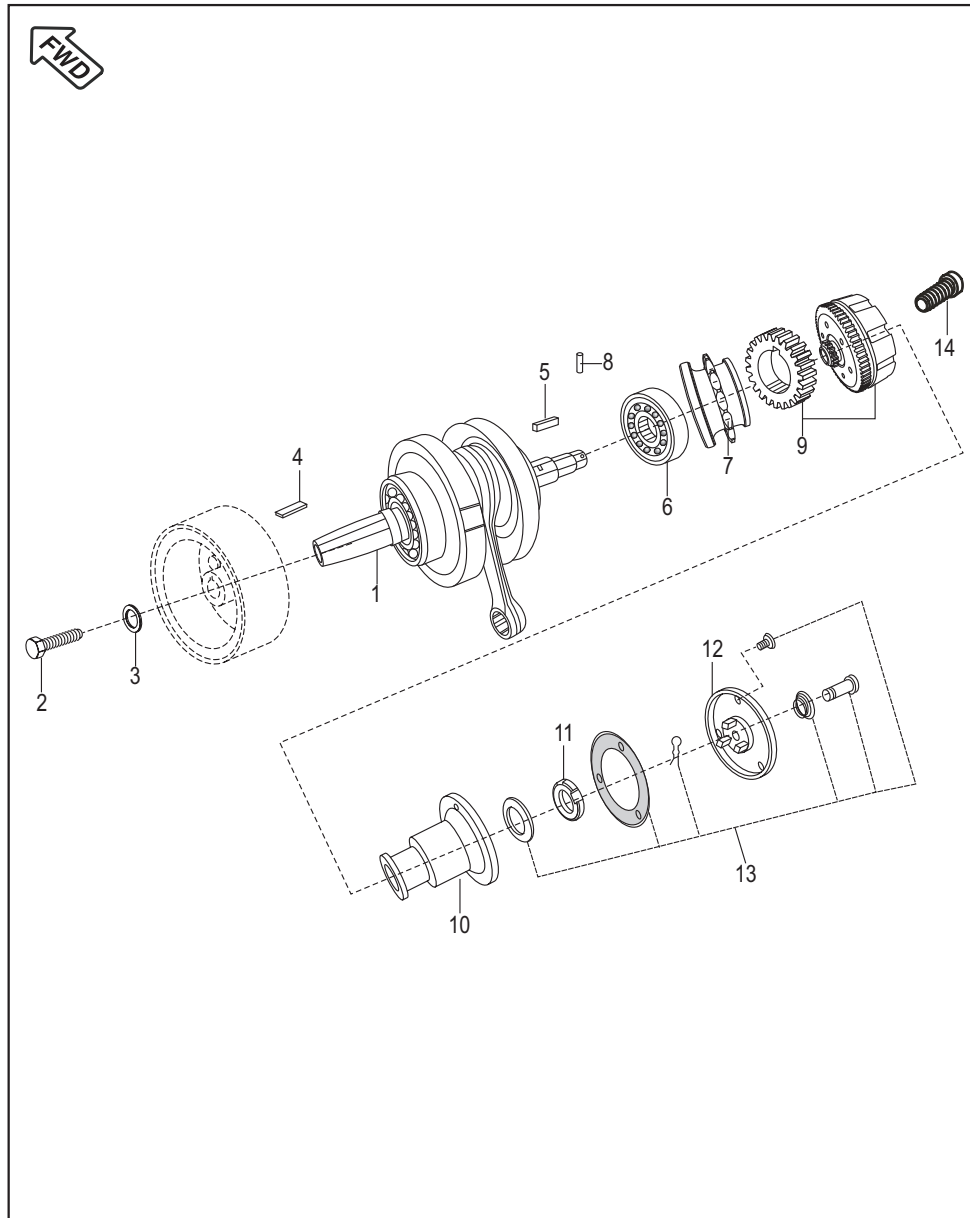
No.	Part No.	Description	Qty. /Veh.	Remarks
1	CS 1011 28	Ring 'O'	1	
2	DJ 1013 72	Camshaft Assembly	1	
3	JC 1010 86	Bearing Ball 6302 RS1/C3H	1	
	39 2542 20	Bearing - Ball-15X42X13	1	
4	39 1880 20	Bearing Ball :- 15 X 32 X 9 (6002-C3)	1	
5	36 DH40 30	Guide Chain Kit	1	
6	DS 1012 76	Sprocket cam Driven (32 T)	1	
7	DH 1014 12	Collar cam Sprocket	1	
8	DH 1010 48	Special camshaft washer	1	
9	DK 1013 86	Pre Coated Socket Head Cap Bolt M8x40	1	
10	JC 1010 35	Cam Chain	1	
11	DH 1013 92	Cam chain Tensioner pivot Bolt	1	
12	JC 1010 34	Tensioner Assly	1	
13	39 1673 04	Hex Bolt / Flange	2	
14	CS 1011 28	Tensioner assly. gasket	1	
15	DD 1010 62	Bolt	1	

Cylinder and Piston



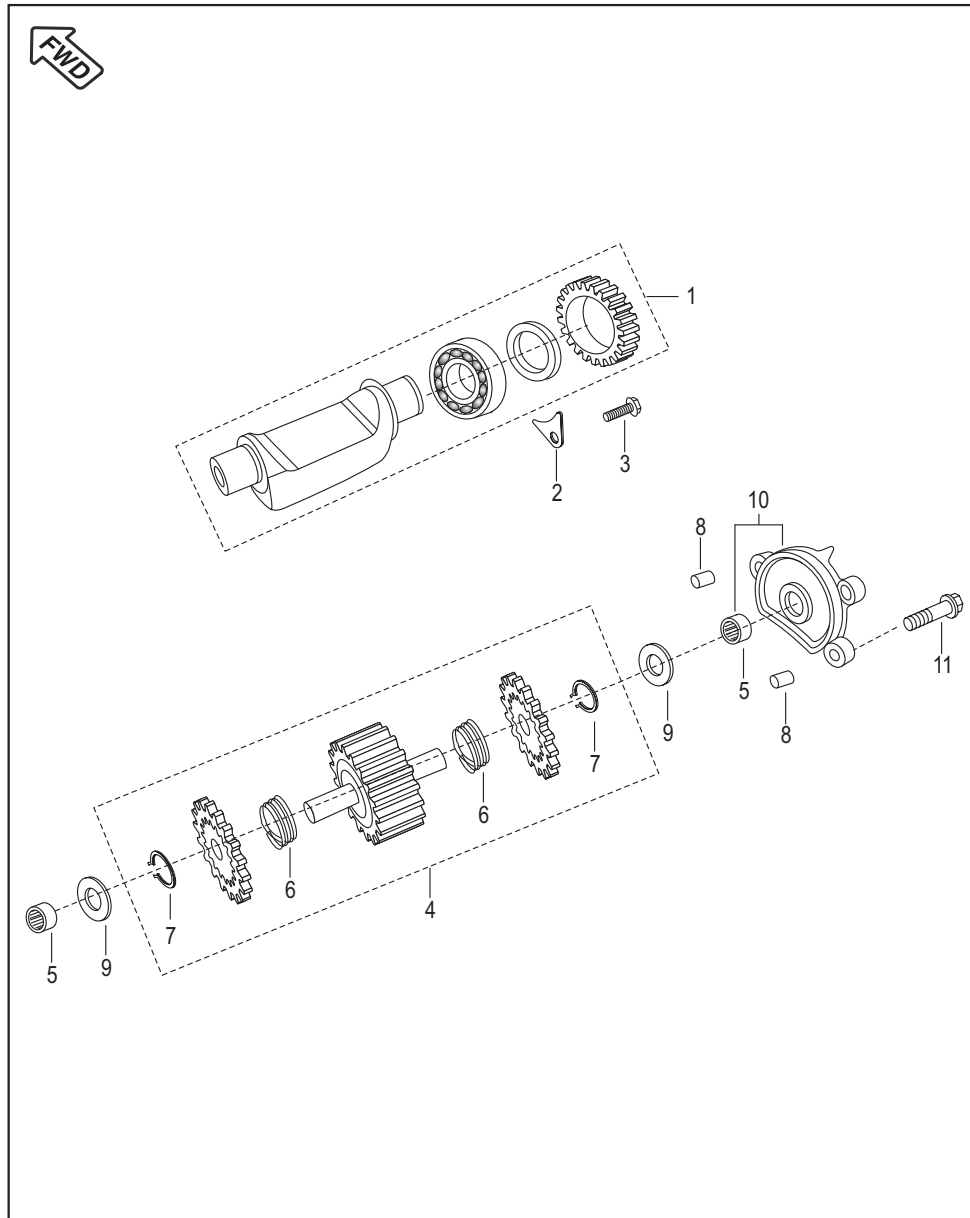
No.	Part No.	Description	Qty. /Veh.	Remarks
1	DJ 1010 04	Gasket Cylinder	1	
2	39 2181 06	Pin dowel	4	
3	DJ 1011 58	Piston Assly. Std.	1	
4	DJ 1011 06	Ring Set Piston	1	
5	39 2132 17	Ring Snap	2	
6	DJ 1013 71	Cylinder Block / Piston Assly	1	
7	DK 1015 92	Oil Pipe Assly	1	
8	DD 1210 07	Bolt Special	2	
9	31 1210 06	Gasket	4	
10	DH 1014 14	Damper	6	
11	39 1689 04	Bolt (dummy for Temp sensor)	1	
12	39 2448 11	Washer (dummy for Temp sensor)	1	

Crankshaft



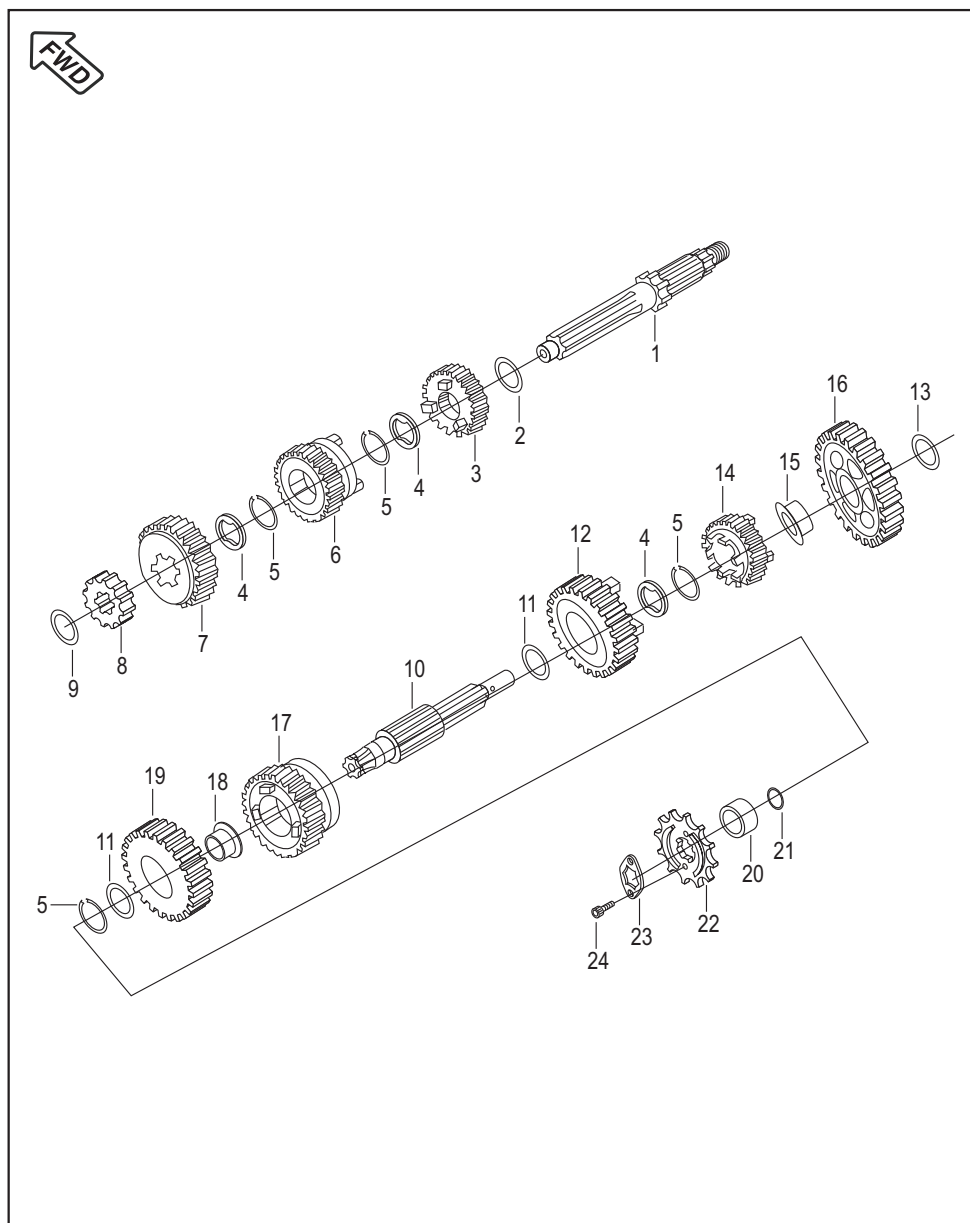
No.	Part No.	Description	Qty. /Veh.	Remarks
1	JC 1010 01	Crankshaft assly. comp.	1	
2	39 2183 04	Bolt	1	
3	39 2165 11	Plain washer	1	
4	31 1011 73	Key woodruff	1	
5	DS 1011 54	Square Key	1	
6	39 2153 20	Bearing Ball	1	
7	DK 1012 48	Sprocket cam drive	1	
8	39 2203 07	Parallel pin	1	
9	36 DK00 38	Set primary driver & driven	1	Ref. Page No.101
10	DH 1010 64	Body centrifugal oil filter	1	
11	DH 1011 95	Nut	1	7mm. (Height)z
12	DH 1010 65	Cover centrifugal oil filter	1	
13	36 DH40 19	Kit centrifugal oil filter	1	Ref. Page No.101
14	DK 1014 80	Oil plunger	1	

Balancer & Balancer Idler Gear



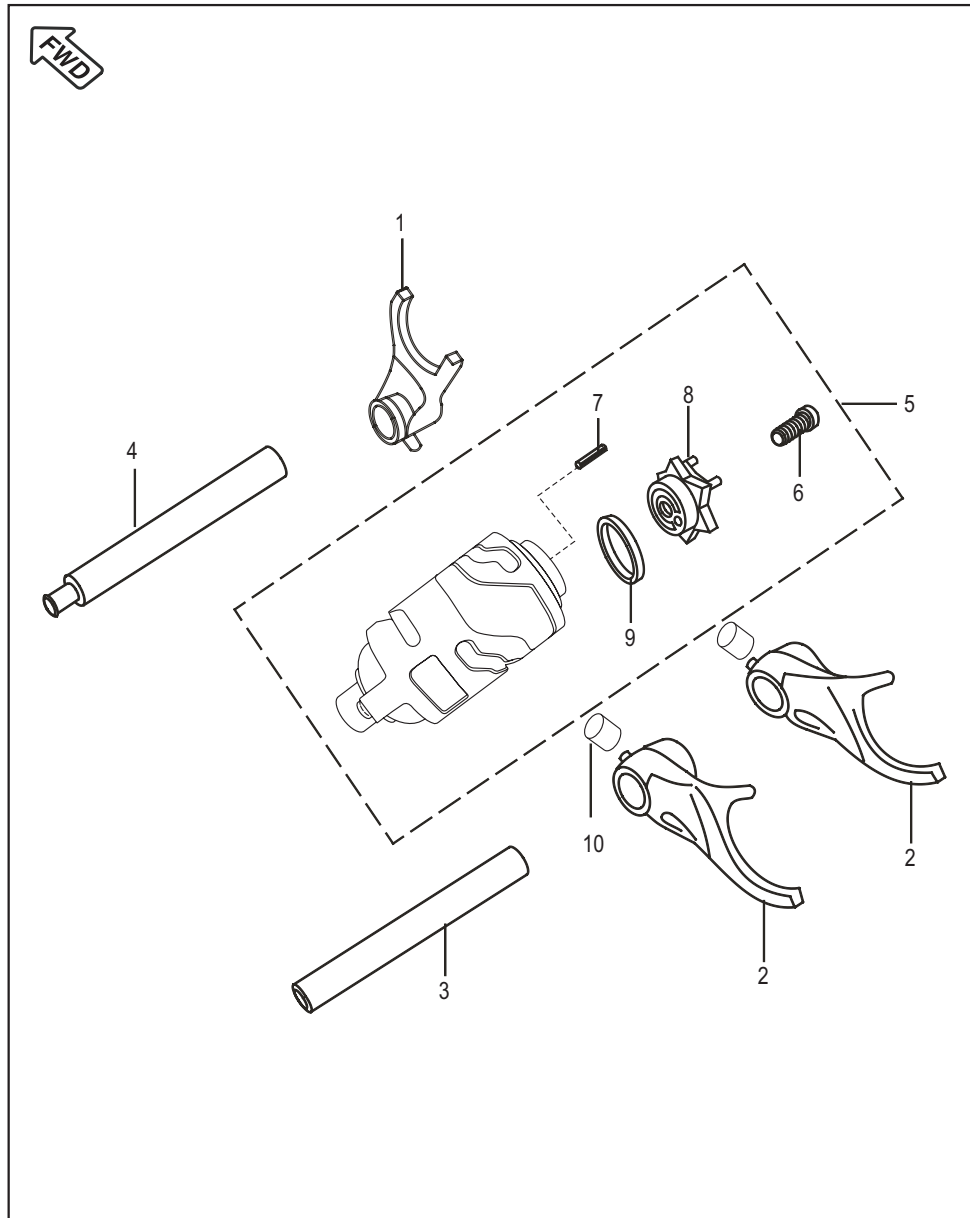
No.	Part No.	Description	Qty. /Veh.	Remarks
1	DJ 9025 03	Body Balancer Assly.	1	
2	DH 1010 72	Bearing stopper	1	
3	39 1672 04	Bolt	1	
4	DH 1014 32	Assly. Balancer Idler Gear comp.	1	
5	39 2152 20	Needle roller bearing	2	
6	DH 1014 24	Spring torsion Balancer Idler	2	
7	39 2557 17	Circlip ext.	2	
8	39 1686 06	Dowel Pin	2	
9	39 1620 11	Thrust washer	2	
10	52 DH01 77	Balancer Idler Holder	1	
11	39 1674 04	Bolt	3	

Transmission



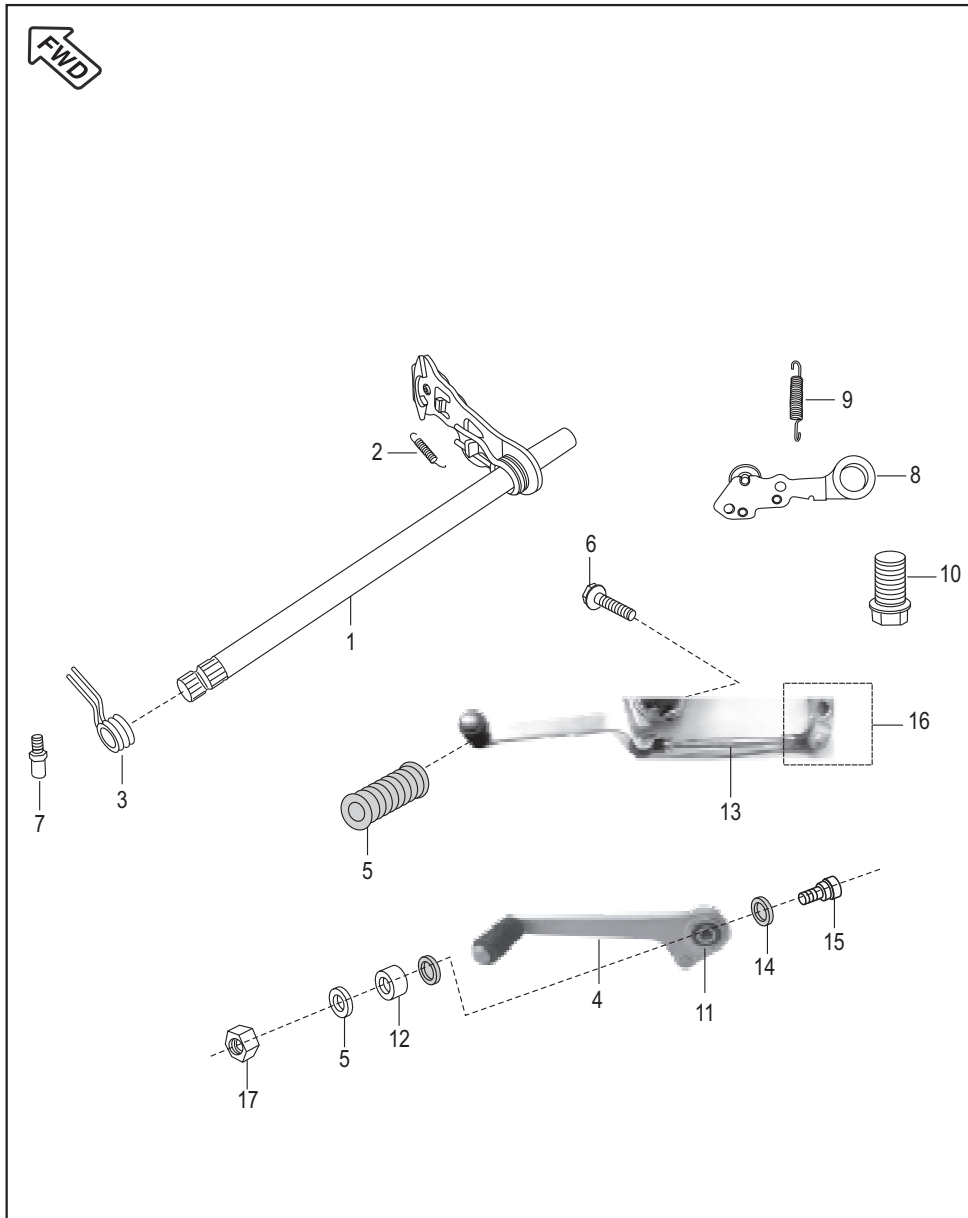
No.	Part No.	Description	Qty./Veh.	Remarks
1	DK 1014 71	Shaft Input Transmission	1	
2	39 2158 11	Washer Plain	1	
3	DK 1011 03	Gear 4th Drive	1	
4	DH 1010 79	Washer Spline	3	
5	DH 1012 35	External Circlip	4	
6	DK 1011 02	Gear 3rd Drive	1	
7	DK 1011 04	Gear 5th drive	1	
8	DH 1010 84	Gear 2nd drive	1	
9	39 2160 11	Thrust washer	1	
10	DK 1011 44	Shaft output Transmission	1	
11	39 2166 11	Washer Plain	2	
12	DK 1011 05	Gear 3rd Driven	1	
13	39 2159 11	Thrust Washer	1	
14	DK 1011 06	Gear 4th Driven	1	
15	DH 1011 11	Bush 1st driven	1	
16	DK 1011 18	Gear 1st driven	1	
17	DK 1011 07	Gear 5th Driven	1	
18	DH 1013 19	Bush 2nd driven	1	
19	DH 1013 33	Gear 2nd Driven	1	
20	DK 1012 45	Collar Sprocket	1	
21	DK 1013 52	'O' Ring Sprocket Collar	1	
22	DV 1010 48	Sprocket Drive	1	
23	DJ 1010 63	Plate Drive Sprocket	1	
24	AA 1014 37	Screw Pre Coated	2	

Change Drum / Shift Fork



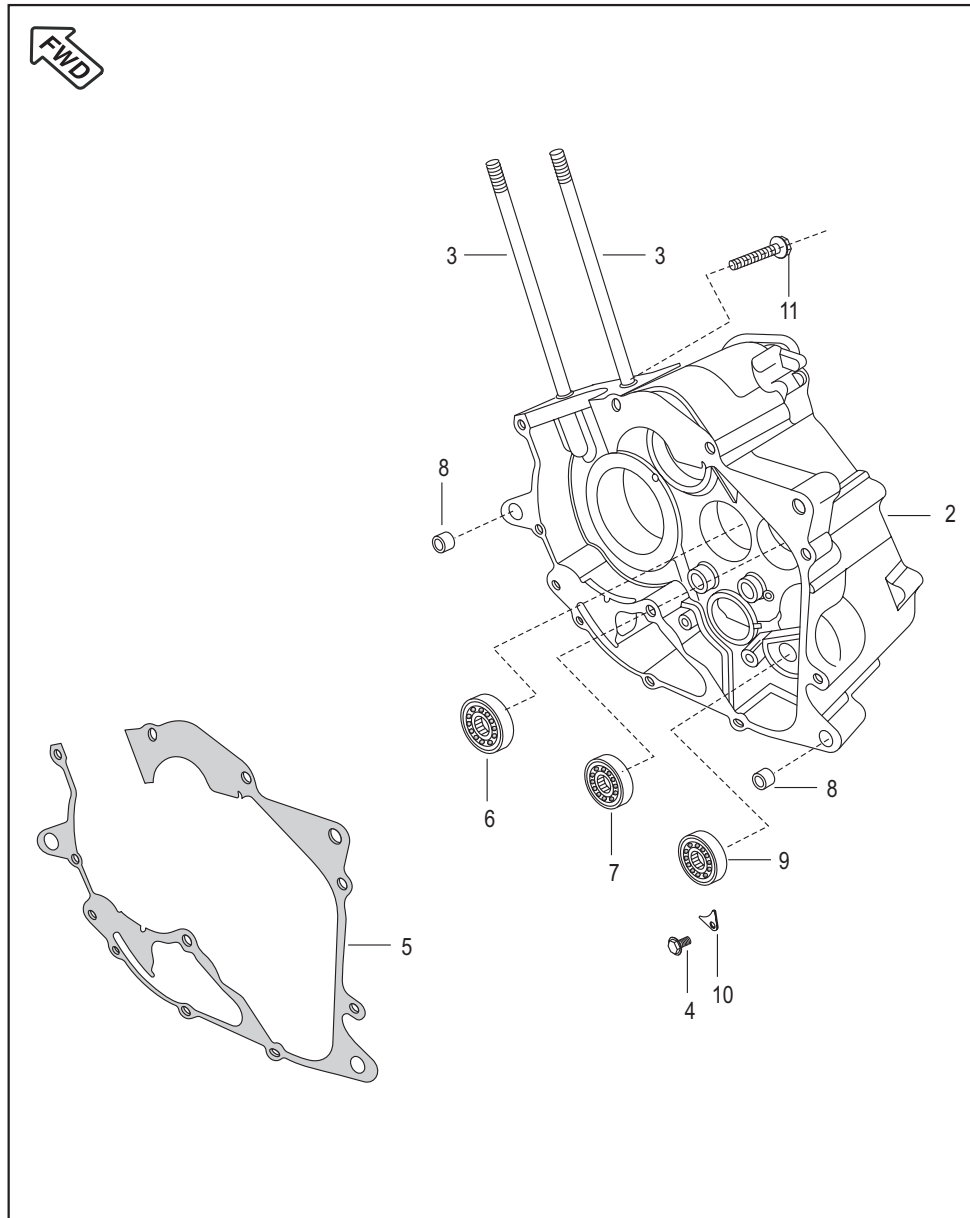
No.	Part No.	Description	Qty. /Veh.	Remarks
1	DK 1011 59	Fork Gear Shift Input	1	
2	DK 1011 60	Fork Gear Shift output	2	
3	DH 1011 46	Shaft Gear Shift Fork	1	
4	DH 1014 93	Shaft Gear Shift Fork	1	
5	DK 1013 82	Drum comp. Gear Shift	1	
6	39 2639 04	Bolt Socket	1	
7	39 2606 07	Parellel pin	1	
8	DK 1013 61	Guide Gear Shifter	1	
9	DH 1014 96	Spacer	1	
10	DK 1011 35	Bush fork gear shift	3	

Gear Change Mechanism



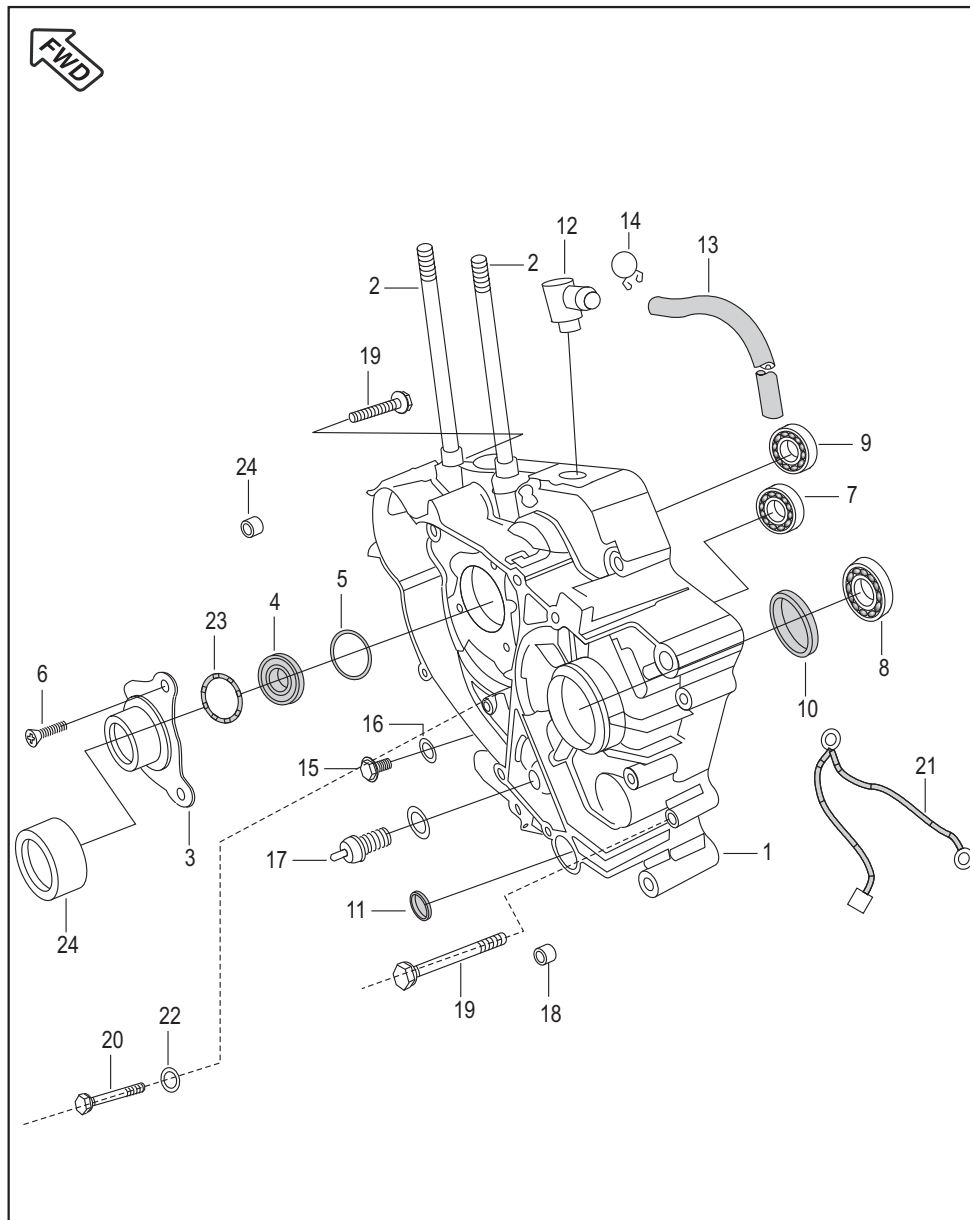
No.	Part No.	Description	Qty. /Veh.	Remarks
1	DH 1017 05	Lever comp. Gear Shifter	1	
2	DH 1011 43	Spring Slider Arm Reset	1	
3	DH 1011 44	Spring Gear Shifter Return	1	
4	DK 1011 82	Lever gear shift	1	
5	DH 1015 09	Damper	1	
6	39 2453 04	Flanged Bolt	1	
7	DH 1013 93	Bolt Gear Shift drum Stopper	1	
8	DH 1015 03	Stopper Gear Shifter Drum	1	
9	DK 1012 53	Spring Gear Shifter Drum Stopper	1	
10	DH 1013 94	Bolt Shift Change	1	
11	39 1998 19	Oil seal	2	
12	DK 1011 87	Collar	1	
13	DK 1011 80	Assembly tie rod	1	
14	DK 1011 85	Washer pivot	1	
15	DK 1011 86	Pivot bolt	1	
16	DK 1011 77	Assembly lever change arm	1	
17	39 2383 15	Flange Nut	1	

Engine Assly. & Crankcase RH



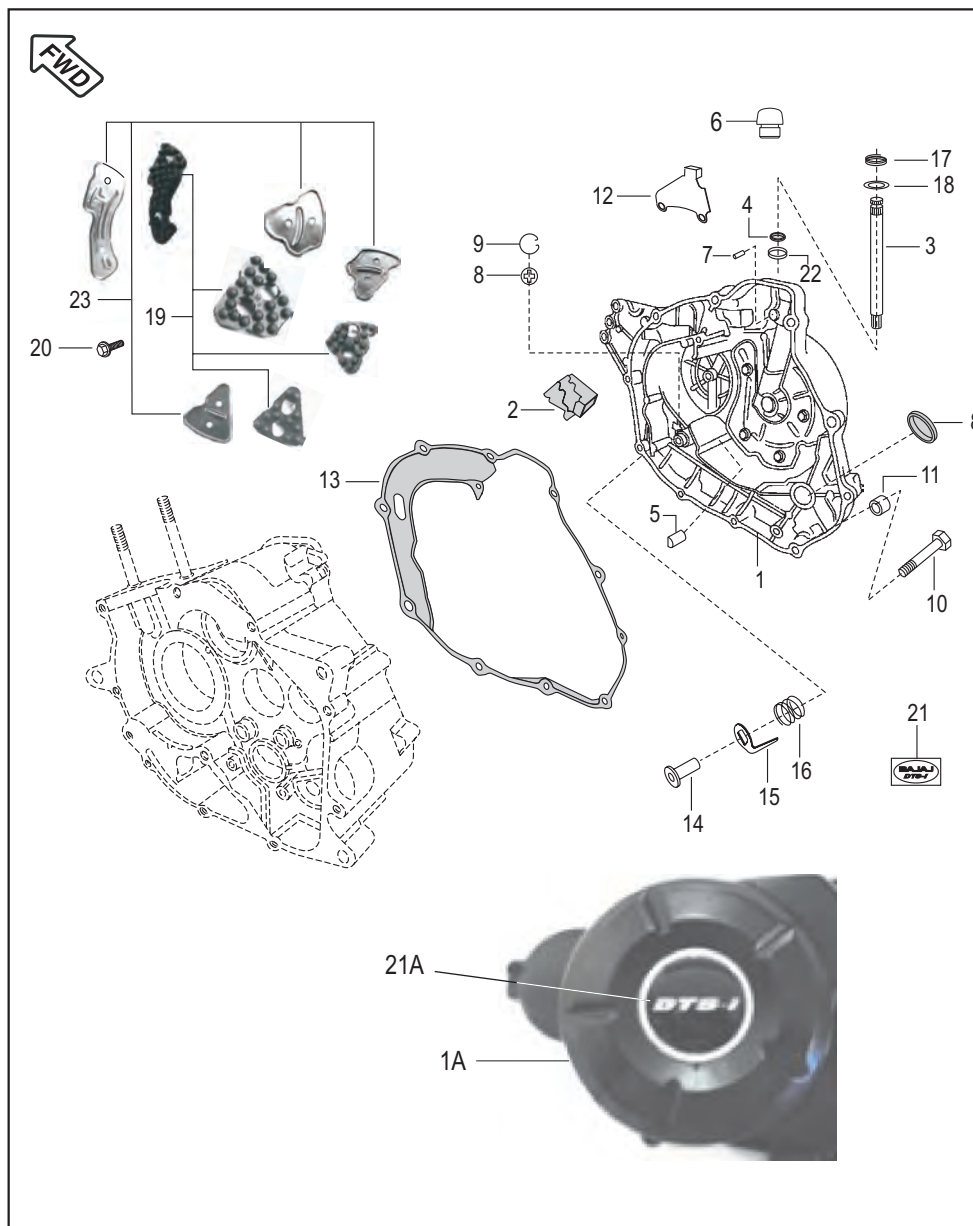
No.	Part No.	Description	Qty. /Veh.	Remarks
1	DJ 1013 89	Engine Assly. with starter motor	1	N.I.
	DJ 1016 72	Engine Assly. with Starter motor	1	MLT Silver
2	JC 1010 29	Crankcase RH	1	
3	59 0500 08	Stud	2	
4	AA 1014 37	Screw Pre Coated	1	
5	DH 1010 06	Gasket Crankcase	1	
6	39 2583 20	Bearing Ball (For Input shaft)	1	
7	59 2000 27	Needle Roller Bearing (For Output shaft)	1	
8	39 2180 06	Dowel Pin	2	
9	39 2601 20	Ball Bearing	1	(For Drum Comp. Gear Shift)
10	DH 1014 87	Plate Stopper	1	
11	39 1845 04	Flange Bolt	1	

Crankcase LH



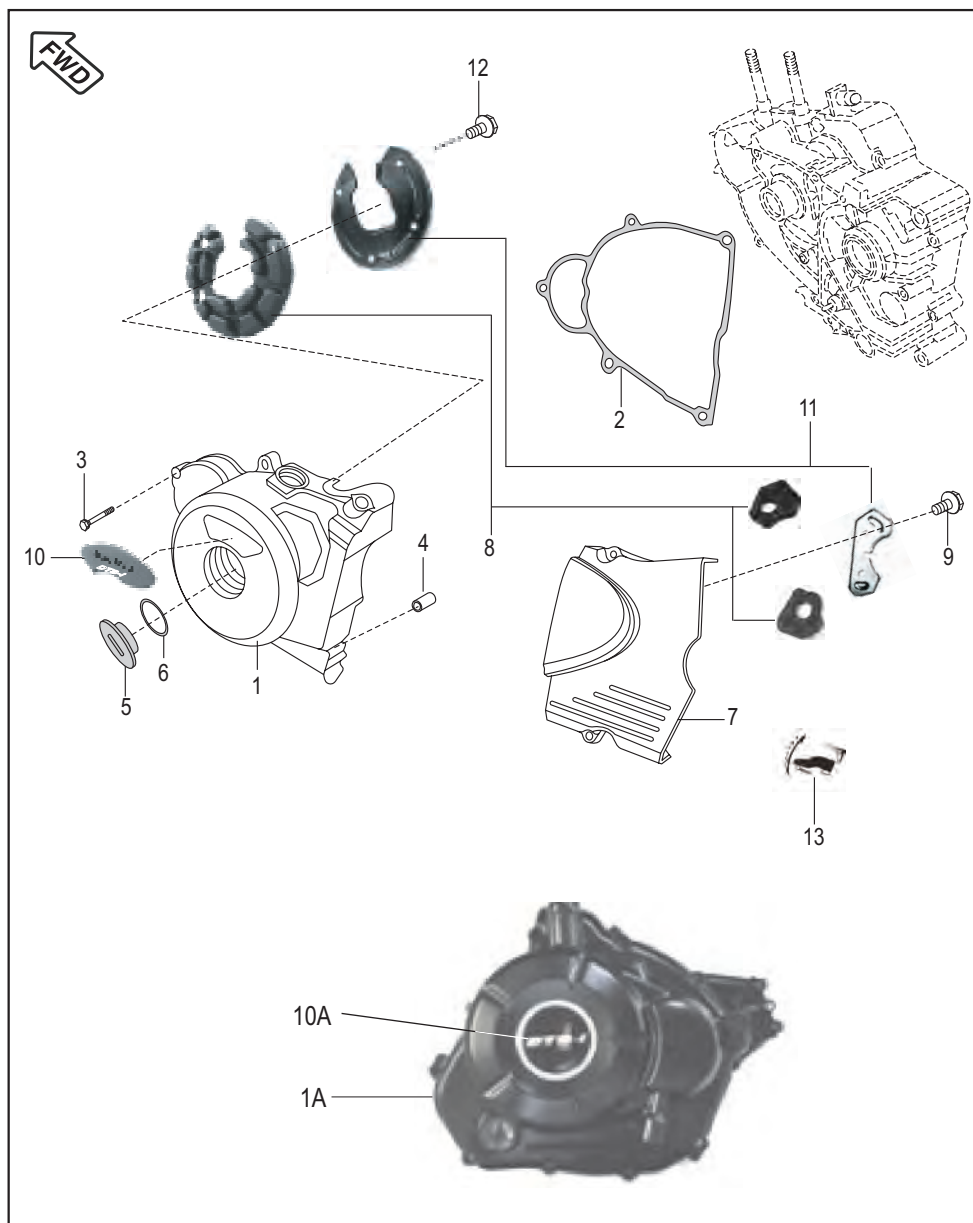
No.	Part No.	Description	Qty. /Veh.	Remarks
1	JC 1010 45	Crankcase LH	1	
2	59 0500 08	Stud	2	
3	DK 1010 94	Guide starter Assly	1	
4	39 2188 19	Oil Seal	1	
5	59 2100 06	'O' Ring	1	
6	39 0752 01	C' Sunk Head Screw	3	
7	39 2603 20	Bearing Ball (For Input shaft)	1	
8	59 2000 06	Bearing Ball (For Output shaft)	1	
9	39 2185 20	Balancer LH Bearing	1	
10	30 1010 14	Oil Seal (For Output shaft)	1	
11	39 2190 19	Oil Seal (For Shift lever)	1	
12	DH 1012 03	Breather pipe	1	
13	DH 1012 46	Rubber tube	1	
14	28 1011 74	Spring Clip	1	
15	DH 1016 61	Plug (Drain Bolt)	1	
16	DG 1014 98	Gasket (For Drain Bolt)	1	
17	DK 1013 80	Switch comp. (Neutral)	1	
18	39 2181 06	Hollow dowel pin	2	
19	39 1677 04	Bolt	8	
20	DH 1013 90	Bolt Flanged Pre Coated (M8 X 82)	1	
21	DJ 2010 21	Cable assly. (Battery to Earth)	1	
22	39 2448 11	Plain Washer	1	
23	DK 1010 97	Damper	1	
24	39 2180 06	Hollow dowel pin	2	

Cover RH



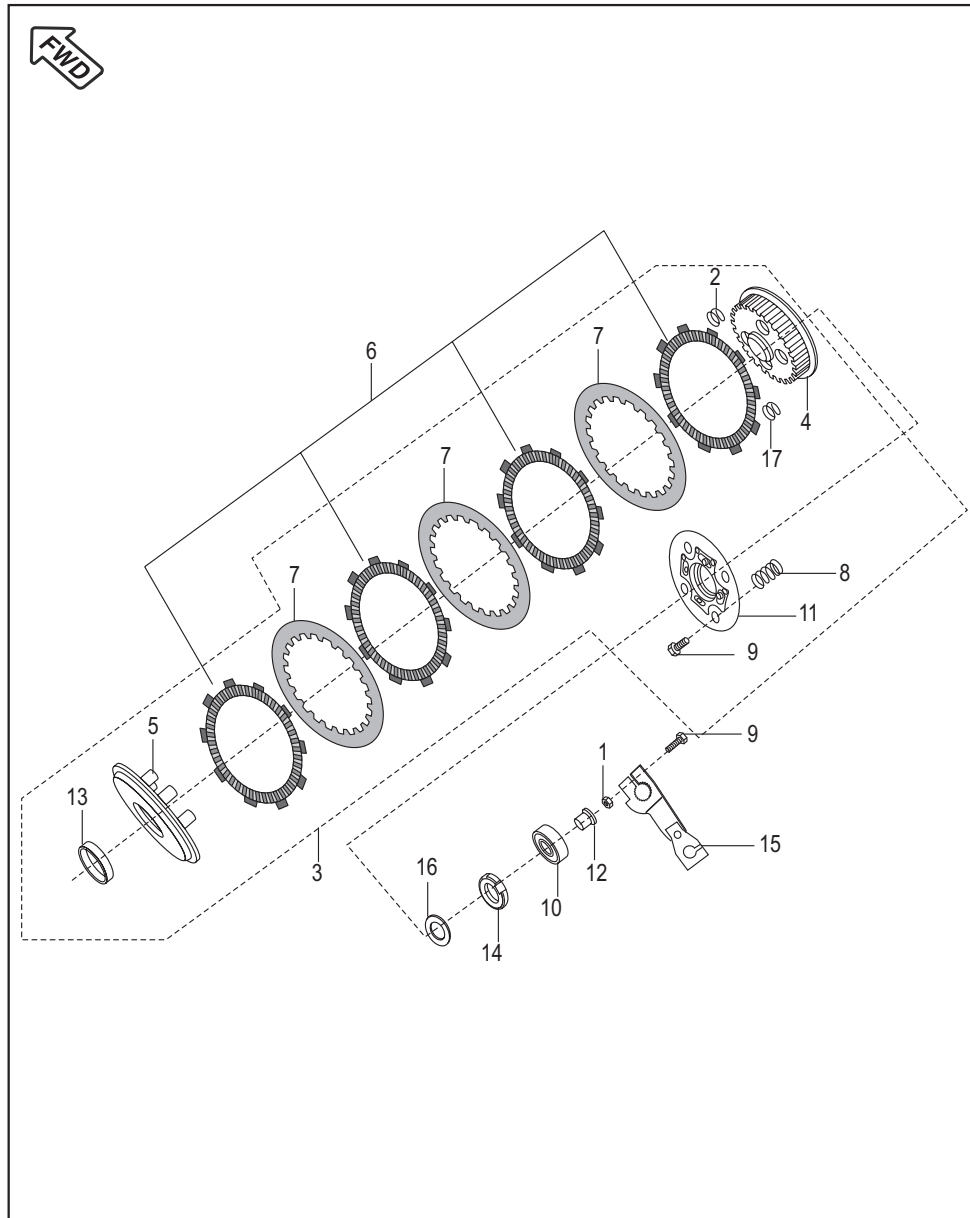
No.	Part No.	Description	Qty. /Veh.	Remarks
1	52 DJ03 90	Clutch Cover with Tapper Plug DJ	1	
1A	36 DJ40 17	Kit Assly Clutch Cover Flower Type	1	Ref. Cir. C-31
	36 DJ40 26	Kit Assly Clutch Cover Flower Type	1	MLT Silver
2	DH 1011 97	Grommet Breather	1	
3	DH 1011 42	Shaft clutch release	1	
4	39 1041 19	Seal clutch lever	1	
5	DH 1011 41	Rack	1	
6	DS 1012 63	Dip stick with 'O' ring	1	
7	DK 1012 51	Parallel pin	1	
8	DG 1014 18	Gauge	1	
9	DS 1012 15	Wire circlip	1	
10	DS 1013 53	Bolt	10	
11	39 0999 06	Pin Dowel	2	
12	DH 1010 18	Bracket Clutch Cable	1	
13	DH 1011 54	Gasket cover RH	1	
14	DK 1014 80	Plunger Oil	1	
15	DH 1210 11	Plate Plunger Oil	1	
16	DH 1210 12	Spring Joint 'A'	1	
17	DH 1015 44	Spring torsion clutch lever	1	
18	39 2443 11	Washer	1	
19	36 DH10 04	Set damper	1	Ref. Page No. 101
20	DH 1013 88	Flanged Bolt	5	
21	JC 1010 40	'Bajaj' Decal	1	Fitted on Cover comp.RH
21A	DK 1017 38	Decal Clutch Cover	1	Ref Cir. C-31
22	39 1990 20	Bushing	1	
23	36 DH10 05	Set of Plate	1	Ref. Page No. 101
24	DH 1014 82	Plate	1	
25	DH 1015 10	Damper	1	

Cover Magneto



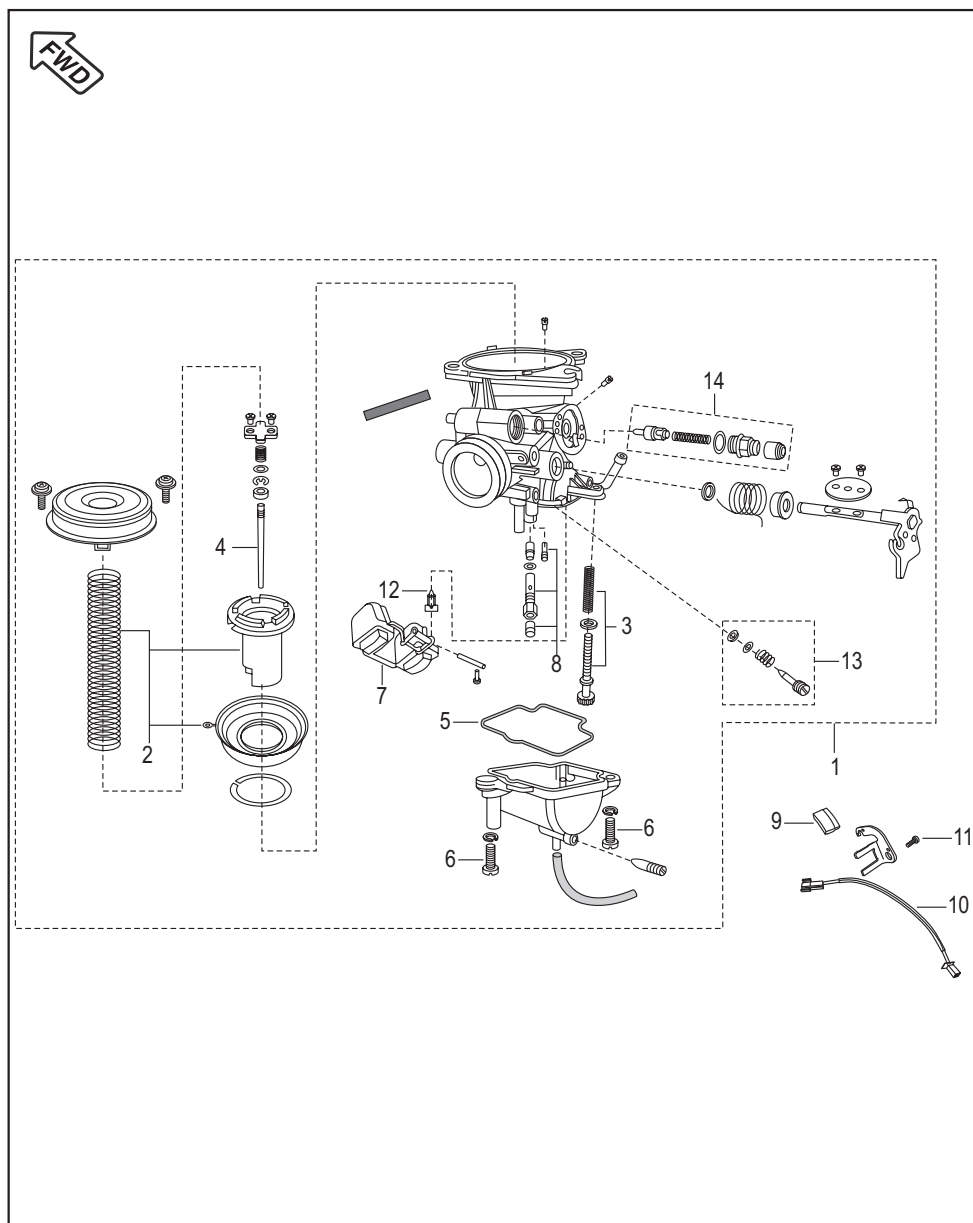
No.	Part No.	Description	Qty. /Veh.	Remarks
1	DJ 1012 71	Cover Magneto	1	
1A	52 DH06 24	Magneto Cover Flower Design	1	Ref. Cir. C-31
	52 DH06 86	Magneto Cover Flower Design	1	MLT Silver
2	DV 1010 42	Gasket Magneto cover	1	
3	DS 1013 53	Bolt	5	
4	39 0999 06	Pin Dowel	2	
5	DH 1011 57	Cap Crank Center	1	
6	39 1283 21	'O' Ring	1	
7	JC 1010 33	Cover LH RR	1	
	DK 1017 62	Cover LH RR	1	MLT Silver
8	36 DH10 06	Set Damper	1	Ref. Page No.101
9	DH 1013 88	Flanged Bolt	6	
10	DH 1013 23	'Bajaj' Decal	1	Fitted on Cover magneto
10A	JE 5412 12	Decal Magneto Comp.	1	Ref Cir. C-31
11	36 DH10 07	Set of Plate	1	Ref. Page No.101
12	DS 1013 53	Bolt	2	
13	DJ 1612 28	Sticker	1	

Clutch



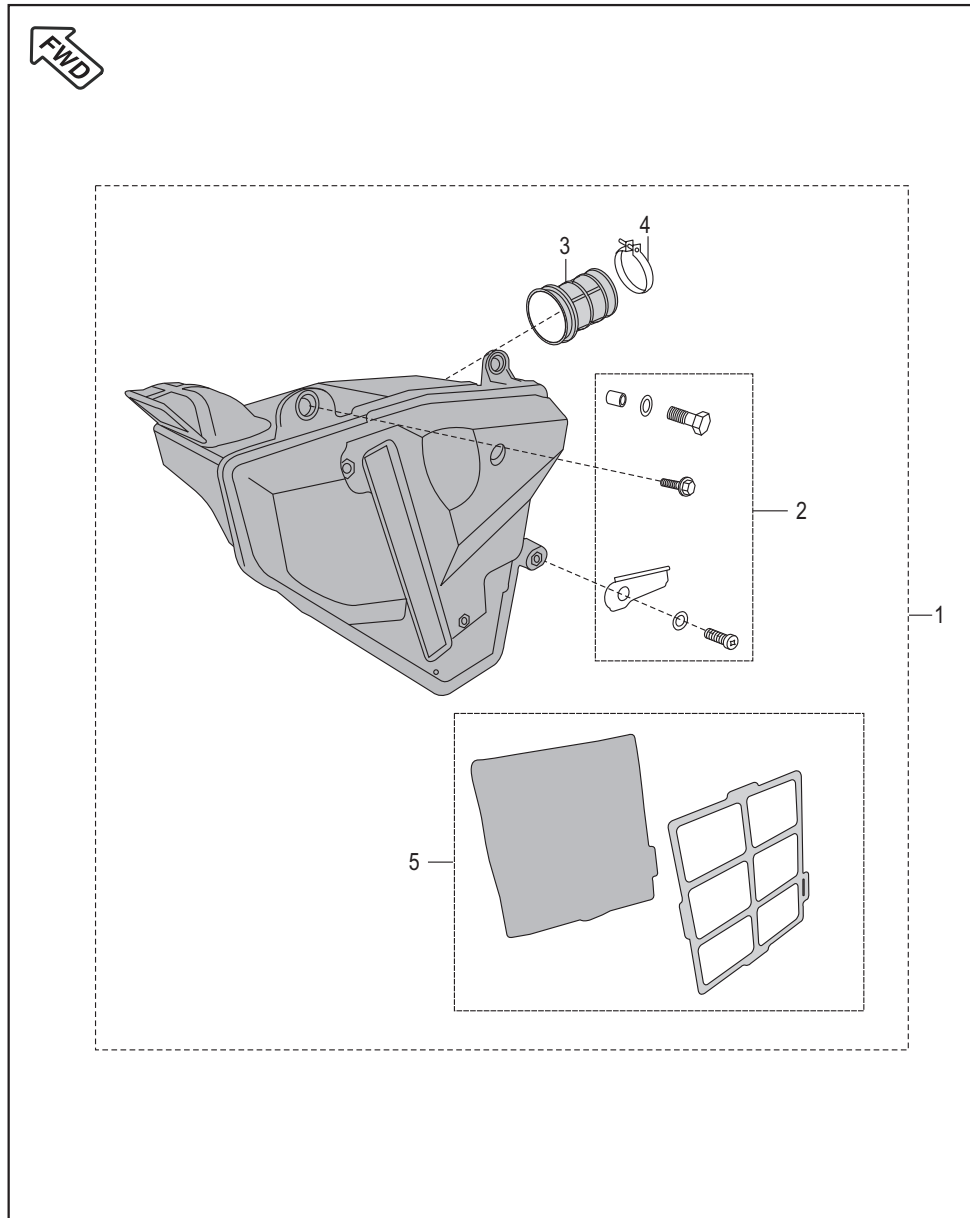
No.	Part No.	Description	Qty. /Veh.	Remarks
1	DH 1012 75	Special Nut	1	
2	DK 1015 71	Spring judder	1	
3	DJ 1013 50	Clutch Assly. Complete	1	
4	DK 1015 64	Clutch Center	1	
5	DK 1015 69	Plate Clutch Pressure	1	
6	DJ 1013 69	Friction Plate Kit	1	
7	DK 1015 65	Plate Clutch	5	
8	DH 1018 61	Spring Clutch Capacity	4	
9	DK 1015 74	Bolt	5	
10	39 1880 20	Bearing Ball:- 15 X 32 X 9 (6002-C3)	1	
11	DK 1015 73	Holder Clutch	1	
12	DK 1010 72	Rod Clutch lifter	1	
13	DK 1011 26	Spacer clutch	1	
14	DH 1016 48	Nut Primary drive lock	1	LH Thread
15	DH 1011 80	Lever Assly. Clutch	1	
	DK 1016 36	Lever Assly. Clutch	1	From Engine No. DJGBSC54429
16	39 2200 11	Washer Primary Drive Gear	1	
17	DK 1015 70	Seat judder spring	1	

Carburettor



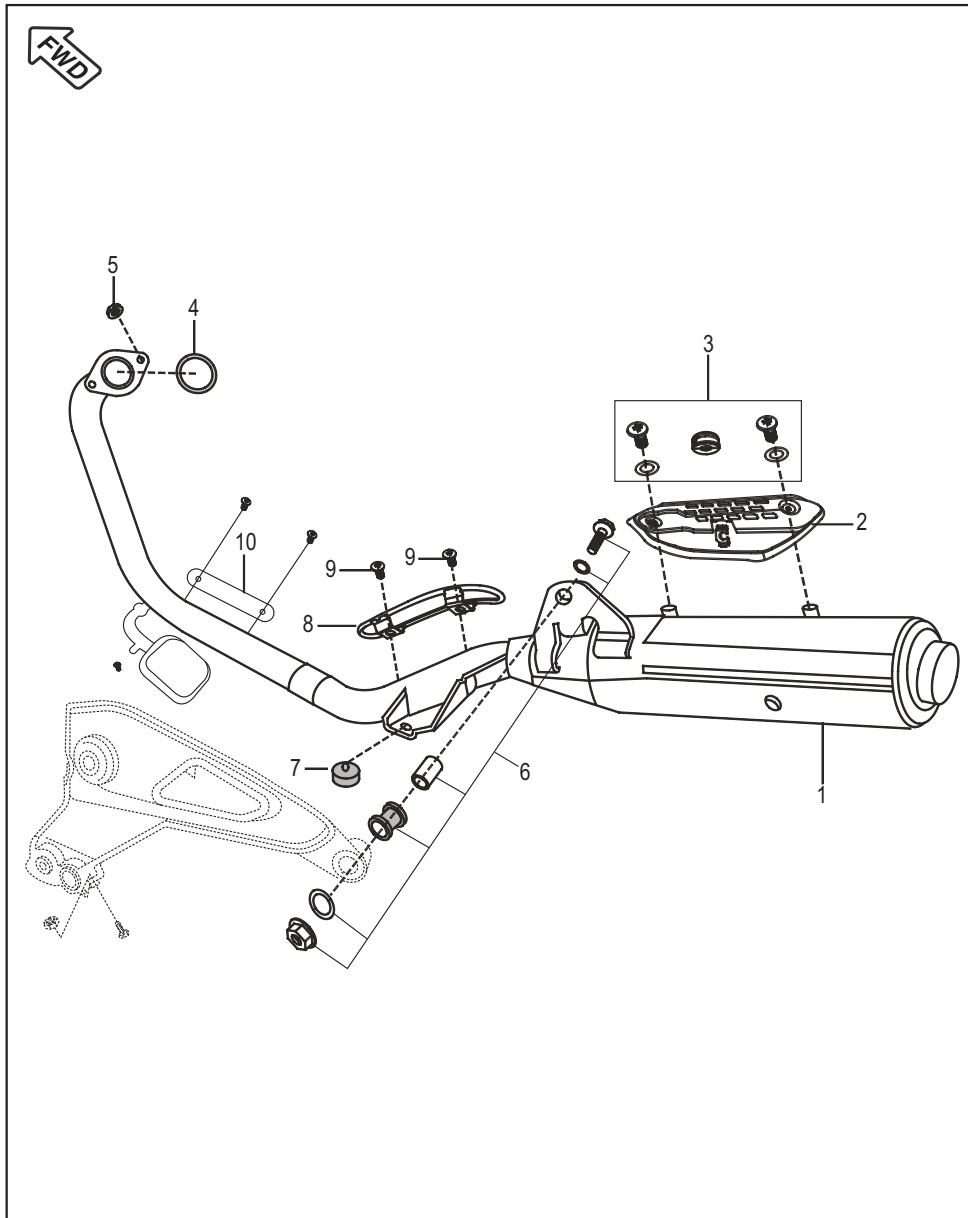
No.	Part No.	Description	Qty. /Veh.	Remarks
1	DJ 1210 41	Carburettor Assly.	1	
2	DJ 1210 51	Vaccum Piston Kit	1	
3	DH 1211 49	Idling Screw Kit	1	
4	DJ 1210 44	Jet needle(JN)	1	
5	DJ 1210 53	"O" ring	1	
6	DJ 1210 54	Screw	2	
7	DJ 1210 55	Float assly.	1	
8	DJ 1210 56	Jet Holder Kit	1	
9	DH 1211 01	Magnet Assly.	1	
10	DJ 1210 70	Reed Switch Assly.	1	
11	39 1780 01	Pan Head Screw	2	
12	DJ 1210 57	Needle Assly.	1	
13	DH 1211 50	Set Adjuster(PS)	1	
14	DJ 1210 59	Set Plunger assly.	1	

Air Cleaner Comp



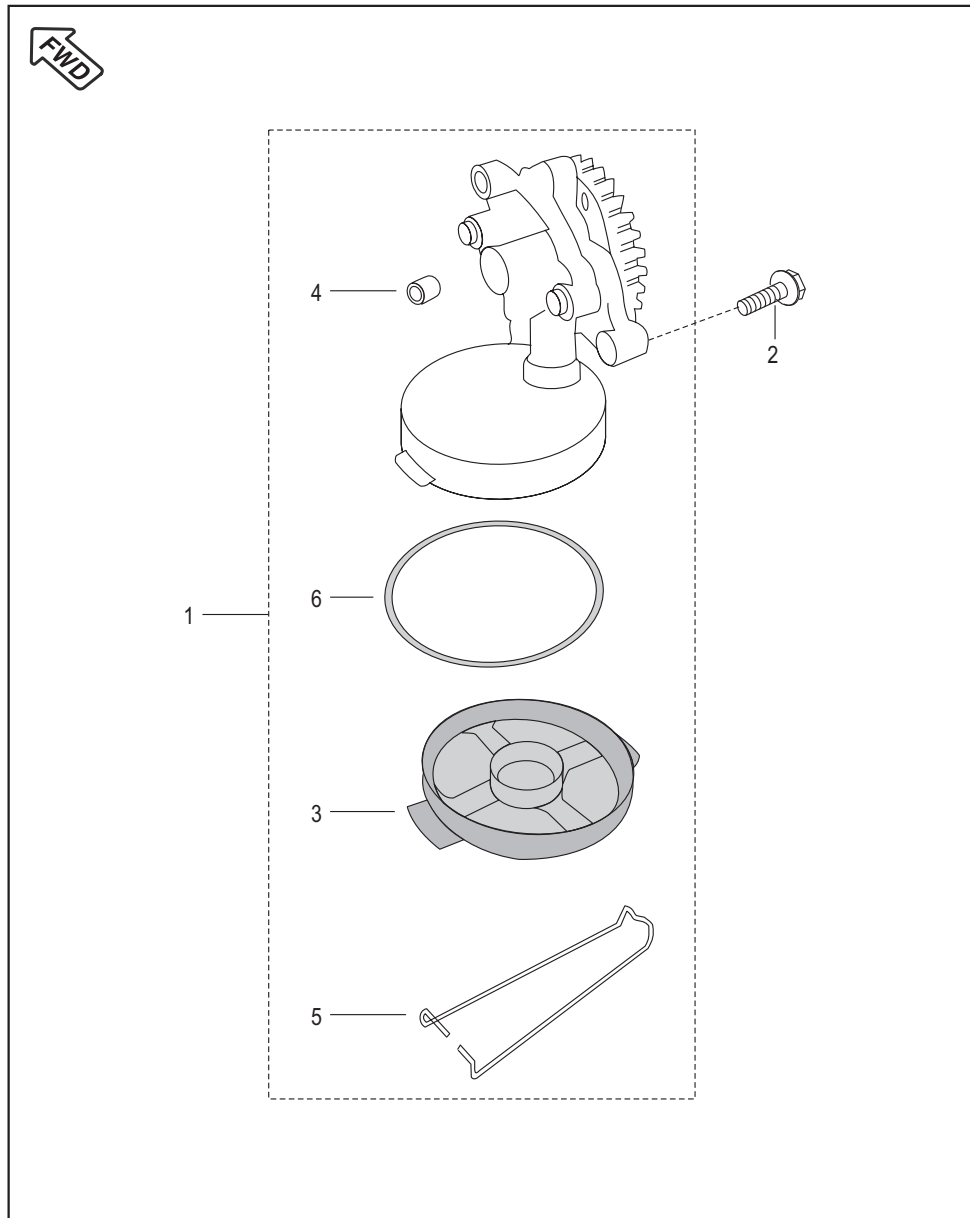
No.	Part No.	Description	Qty. /Veh.	Remarks
1	DJ 1210 71	Air Cleaner comp	1	
2	36 DH40 10	Kit hardware air cleaner	1	Ref. Page No.101
3	DJ 1210 68	Connecting Tube	1	
4	AA 1210 45	Clamp	1	
5	36 DK00 15	Kit element air filter	1	(Fine & Coarse) Ref. Page No.102

Silencer Assly.



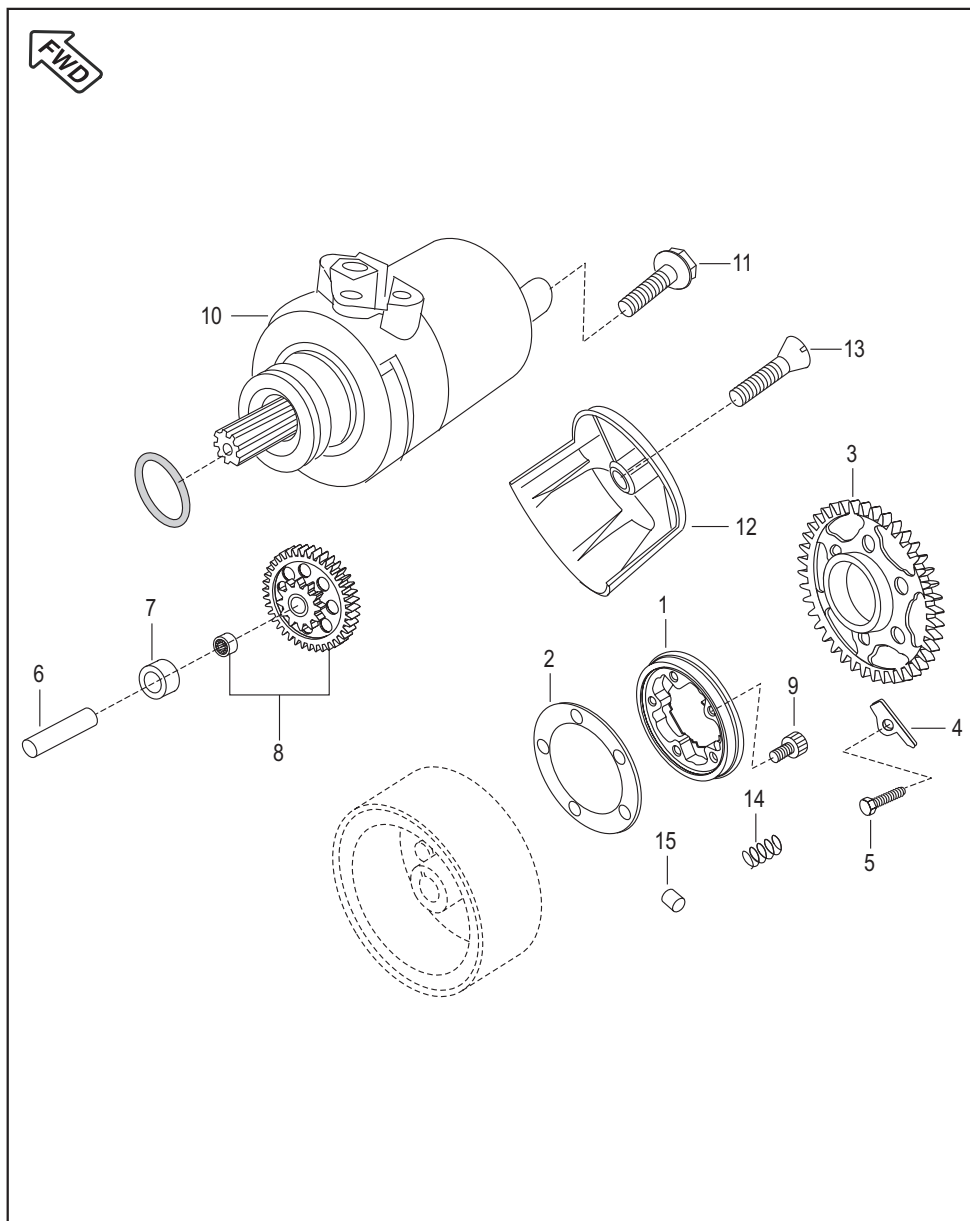
No.	Part No.	Description	Qty. /Veh.	Remarks
1	DJ 1013 91	Silencer W/O Shield	1	
	DJ 1014 20	Silencer (Non Cat.)	1	
2	DH 1014 68	Shield Muffler	1	
3	36 DH40 11	Kit hardware shield	1	Ref. PageNo.102
4	DJ 1010 64	Gasket Exhaust	1	
5	39 1970 15	Flanged Nut	2	
6	36 DK00 09	Kit hardware silencer	1	Ref. Page No.102
7	DG 1611 24	Damper (Main Stand)	1	
8	DH 1015 21	Wire Shield Assly.	1	
9	DH 1013 02	Screw	2	
10	DH 1016 08	Silencer front (cat) shield	2	

Oil Pump



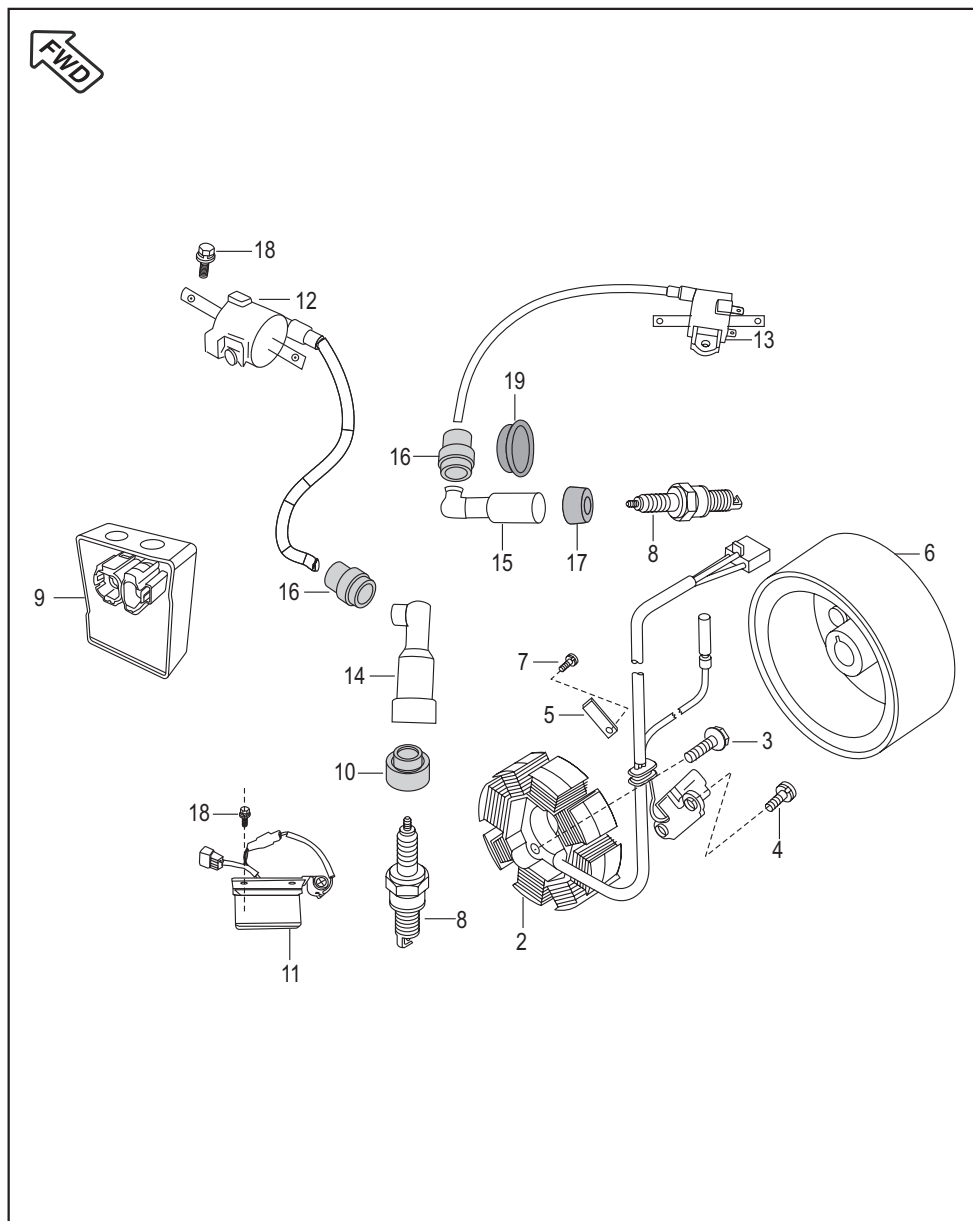
No.	Part No.	Description	Qty. /Veh.	Remarks
1	52 DH01 69	Oil Pump Assly	1	
2	39 1674 04	Hex. Bolt with flange	3	
3	DH 1210 10	Mesh filter Oil pump	1	
4	39 1686 06	Hollow dowel pin	1	
5	DH 1210 35	Clip Mesh Oil filter	1	
6	39 2194 21	'O' Ring	1	

Starter Assly.



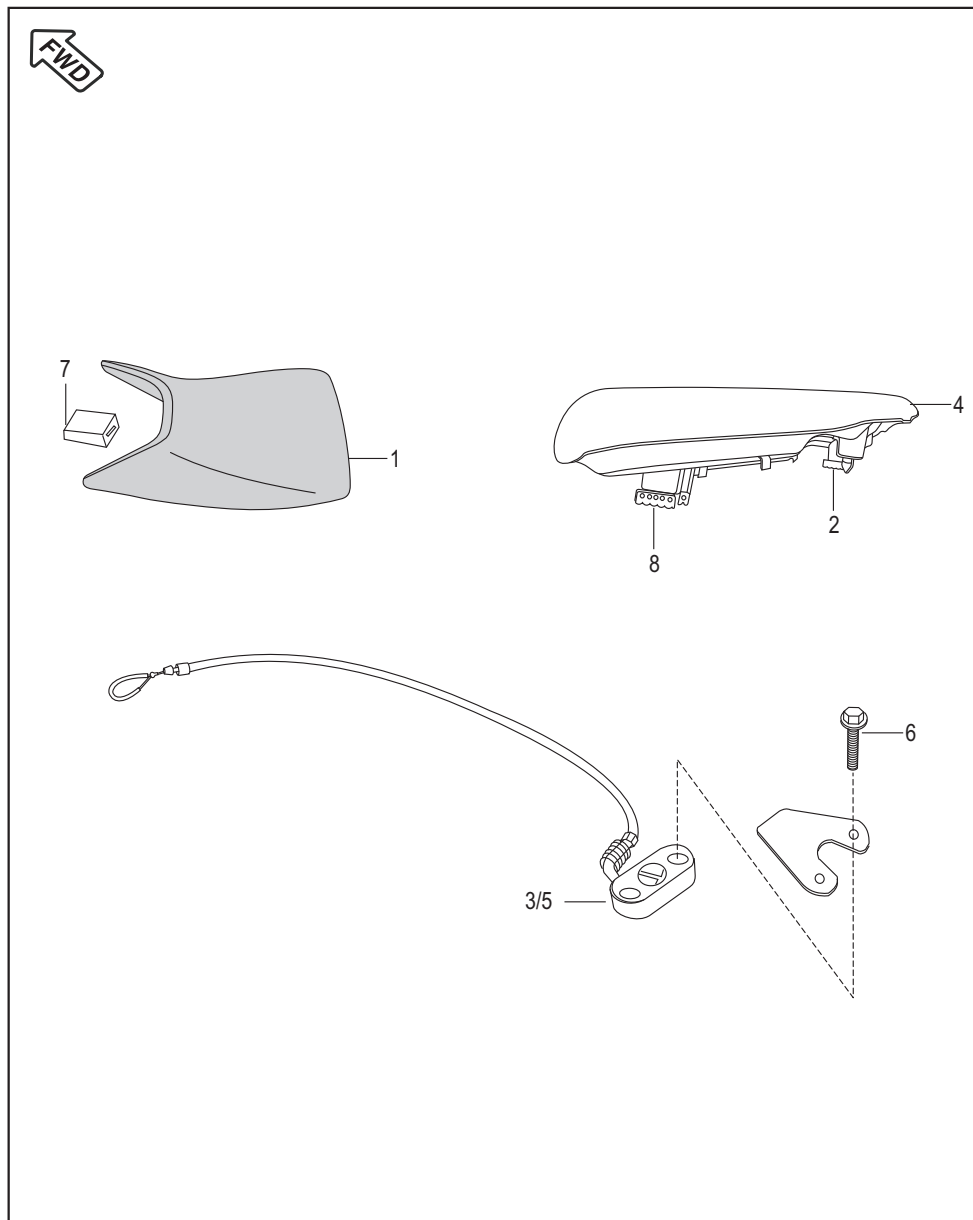
No.	Part No.	Description	Qty. /Veh.	Remarks
1	36 DK00 76	Body comp. starter clutch	1	
2	DK 1016 05	Plate roller clutch	1	
3	JC 1011 14	Gear starter clutch	1	
4	DH 1015 81	Plate starter clutch gear return	1	
5	DH 1013 85	Bolt	1	For stopper Plate
6	DK 1011 76	Shaft starter counter	1	
7	DH 1011 72	Collar starter counter	1	
8	JC 1011 15	Gear comp. starter counter assly.	1	
9	39 0972 04	Bolt socket M6	3	
10	DH 1110 84	Motor assly. starter clutch	1	
11	DS 1013 53	Bolt	2	
12	52 DH01 53	Cover starter motor	1	
	DK 1017 70	Cover starter motor	1	MLT Silver
13	DH 1013 89	Slotted c'sunk screw	1	
14	36 DK00 77	Spring	1	
15	DH 1011 63	Roller	5	
16	59 2000 07	Needle Roller Bearing (For Gear Starter Clutch)	1	N.I.

Magneto / C.D.I. /H.T. Coil



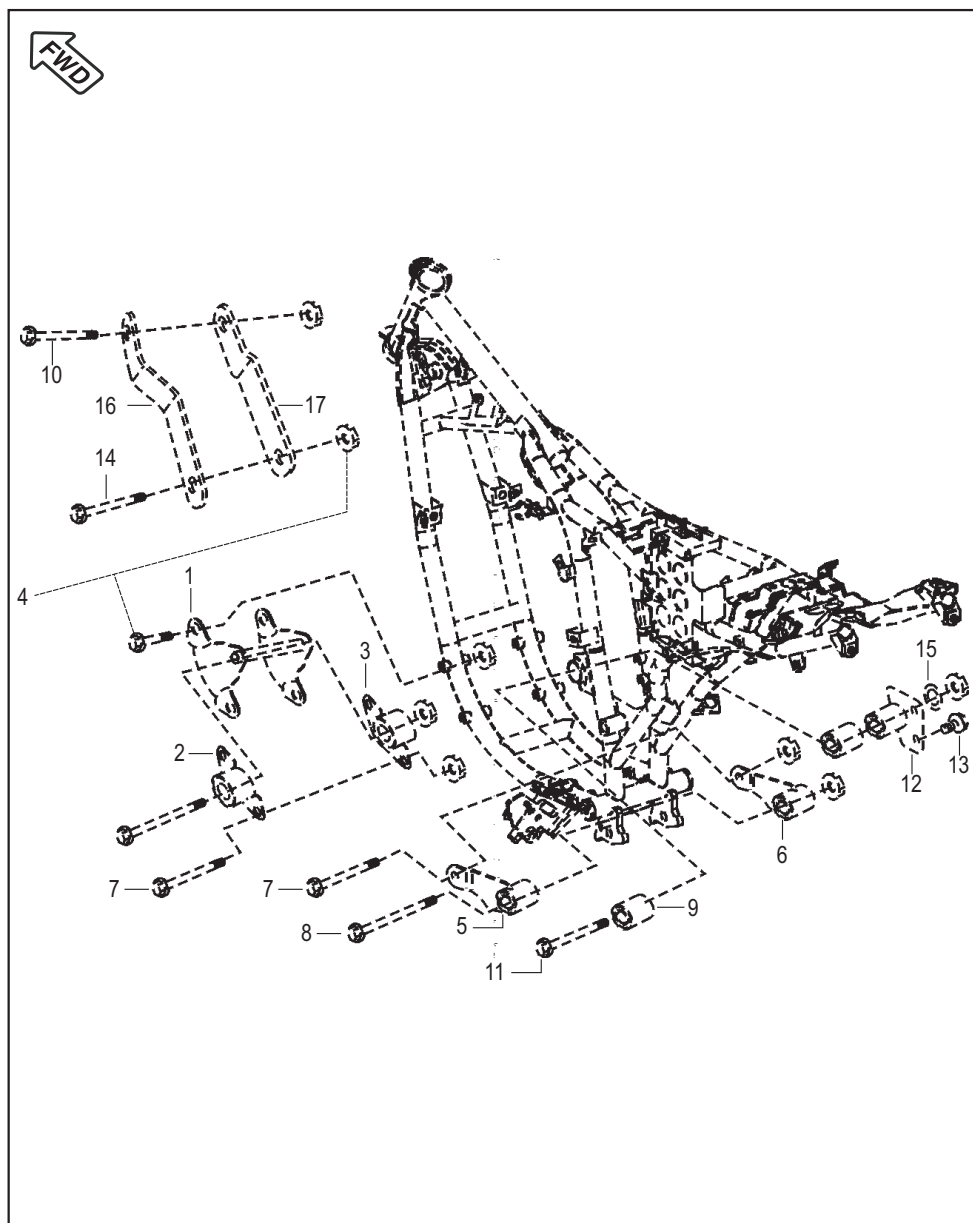
No.	Part No.	Description	Qty. /Veh.	Remarks
1	59 1000 02	Spring Dowel	1	N.I.
2	DH 1110 81	Stator Assly. comp	1	
3	DH 1013 86	Hex. Bolt with Flange	2	
4	DH 1013 81	Pan Head Screw	2	
5	DH 1011 99	Stopper plate (wiring harness)	1	
6	DH 1110 83	Rotor Assly.	1	
7	DH 1013 80	Screw Pan head	1	
8	DG 1110 08	Spark plug	2	
9	DJ 1110 92	C.D.I. Assly.	1	
10	DH 1110 13	Grommet Spark Plug	1	
11	DJ 2012 02	Regulator (With Bracket)	1	
12	JC 1110 22	H.T. Coil LH with cable	1	
13	JC 1110 23	H.T. Coil RH with cable	1	
14	DD 1110 48	Cap Spark Plug	1	
15	DH 1110 15	Cap Spark Plug	2	
16	DD 1110 12	Grommet H.T. Cable	2	
17	DH 1110 13	Grommet Spark Plug	1	
18	39 1944 04	Flange Bolt	4	
19	DH 1110 16	Grommet Sleeve Spark Plug	1	

Seat Assembly / Seat Lock



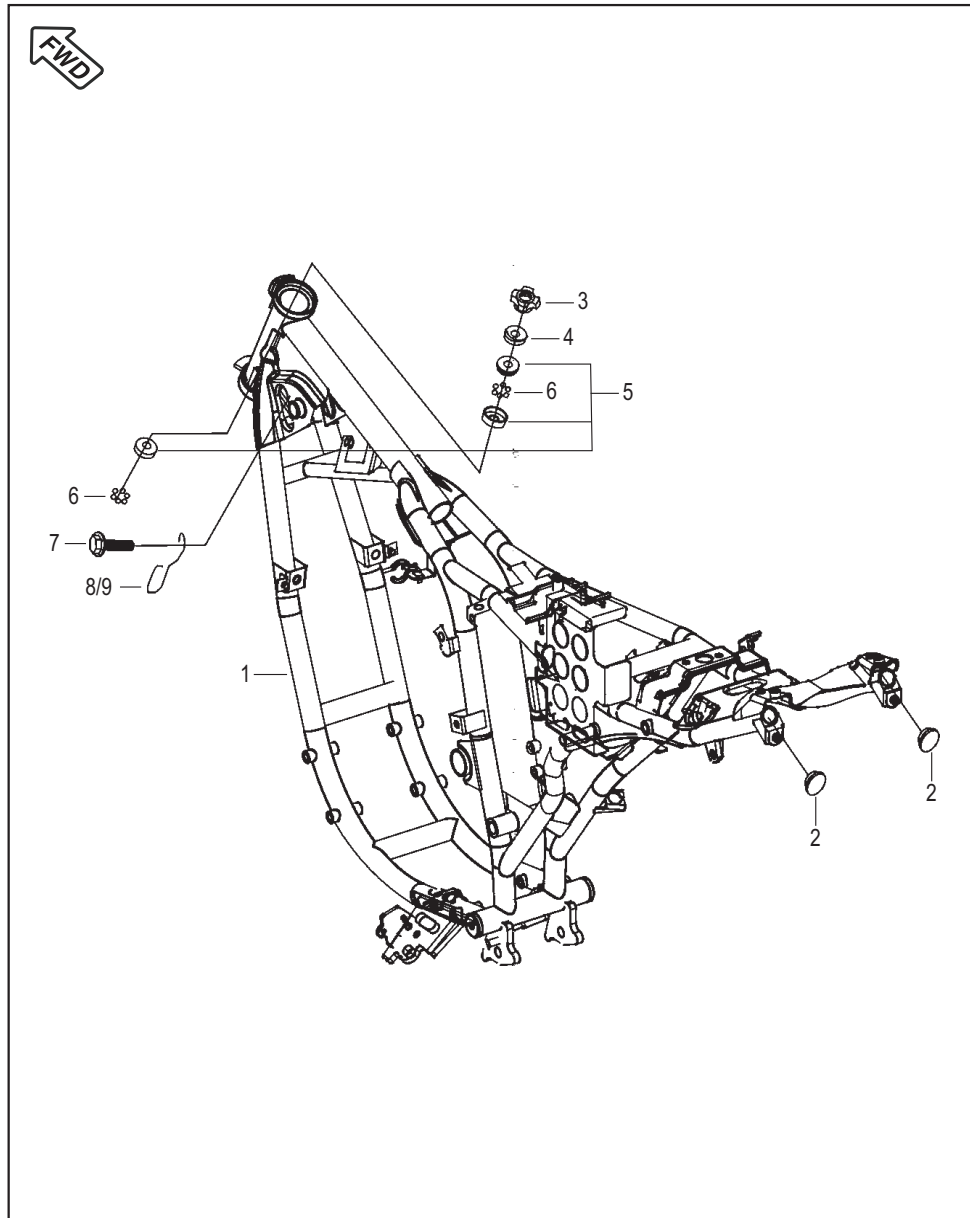
No.	Part No.	Description	Qty. /Veh.	Remarks
1	DK 2110 01	Seat Assly comp front	1	
2	DS 2110 05	Damper	6	
3	DH 1610 46	Lock Assly seat front	1	
4	DK 2110 04	Seat assly comp rear	1	
5	DK 2110 08	Lock assly seat rear	1	
6	39 1902 04	Bolt flange	4	
7	DK 2110 07	Damper Front	1	
8	DS 2110 04	Damper	2	

Engine Mounting



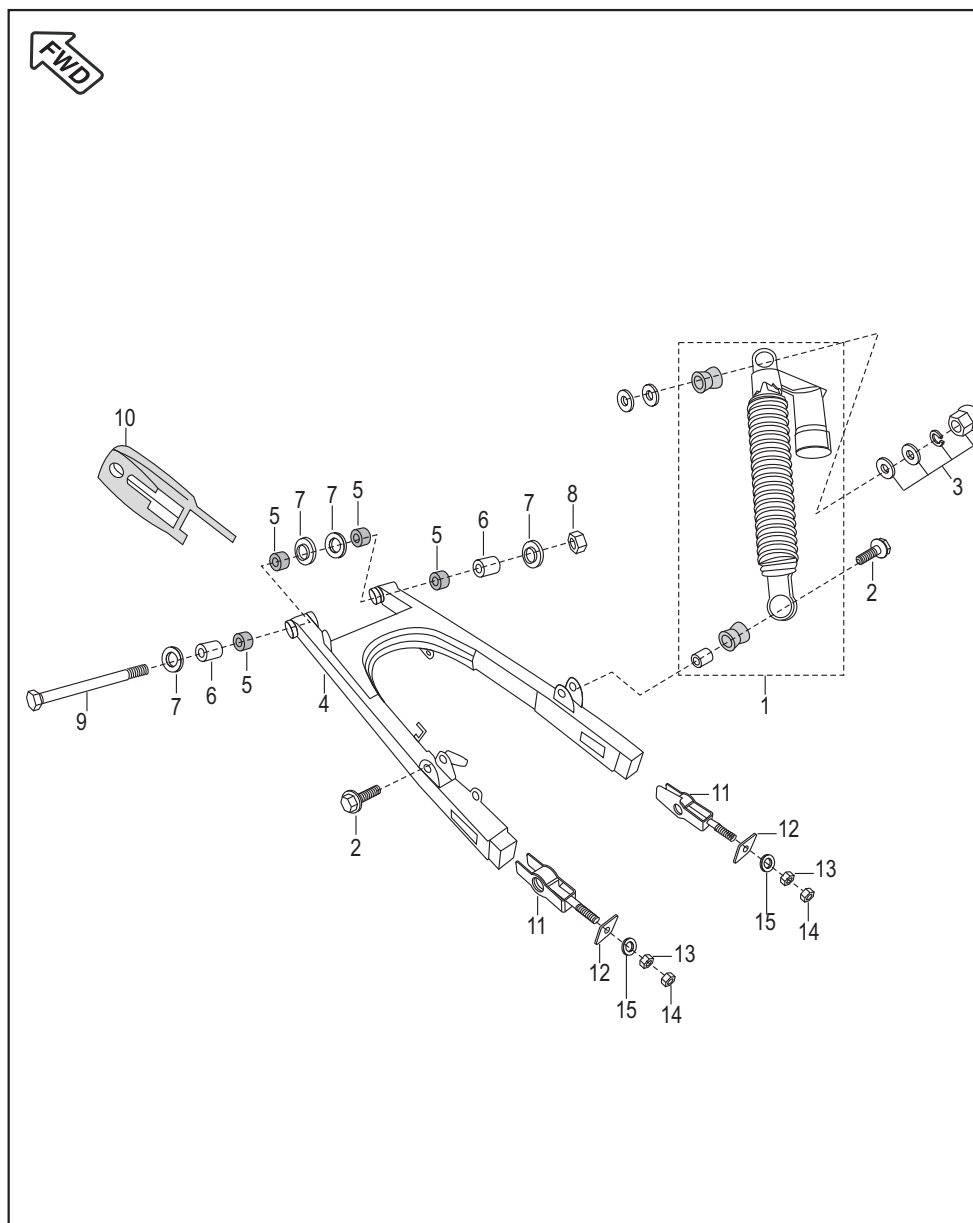
No.	Part No.	Description	Qty. /Veh.	Remarks
1	DK 1610 96	Bkt. Assly. Eng. Mtg. front	2	Ref. Page No.102
2	DH 1611 89	Bkt. Comp. LH eng. Mtg. front	1	
3	DH 1611 90	Bkt. Comp. RH eng. Mtg. front	1	
4	36 DK00 11	Kit hardware eng. mounting	1	
5	DK 1611 59	Bkt. comp. LH eng. mtg. lower	1	
6	DK 1611 60	Bkt. comp. RH eng. mtg. lower	1	
7	39 2157 04	Bolt Flanged	2	
8	39 2412 04	Bolt Flanged	1	
9	DH 1612 73	Bush in frame	1	
10	39 1967 04	Bolt	1	
11	59 0400 43	Hex. Soc. Hd. cap bolt	1	
12	DK 1611 61	Bkt. Comp. RH eng. rear	1	
13	39 2310 04	Flanged bolt	2	
14	39 2412 04	Bolt Hex Head with Flange :- M8	1	
15	39 1040 11	Washer	1	
16	DH 1611 89	Bracket LH Engine Hanger	1	
17	DH 1611 90	Bracket RH Engine Hanger	1	

Frame & Frame Fittings



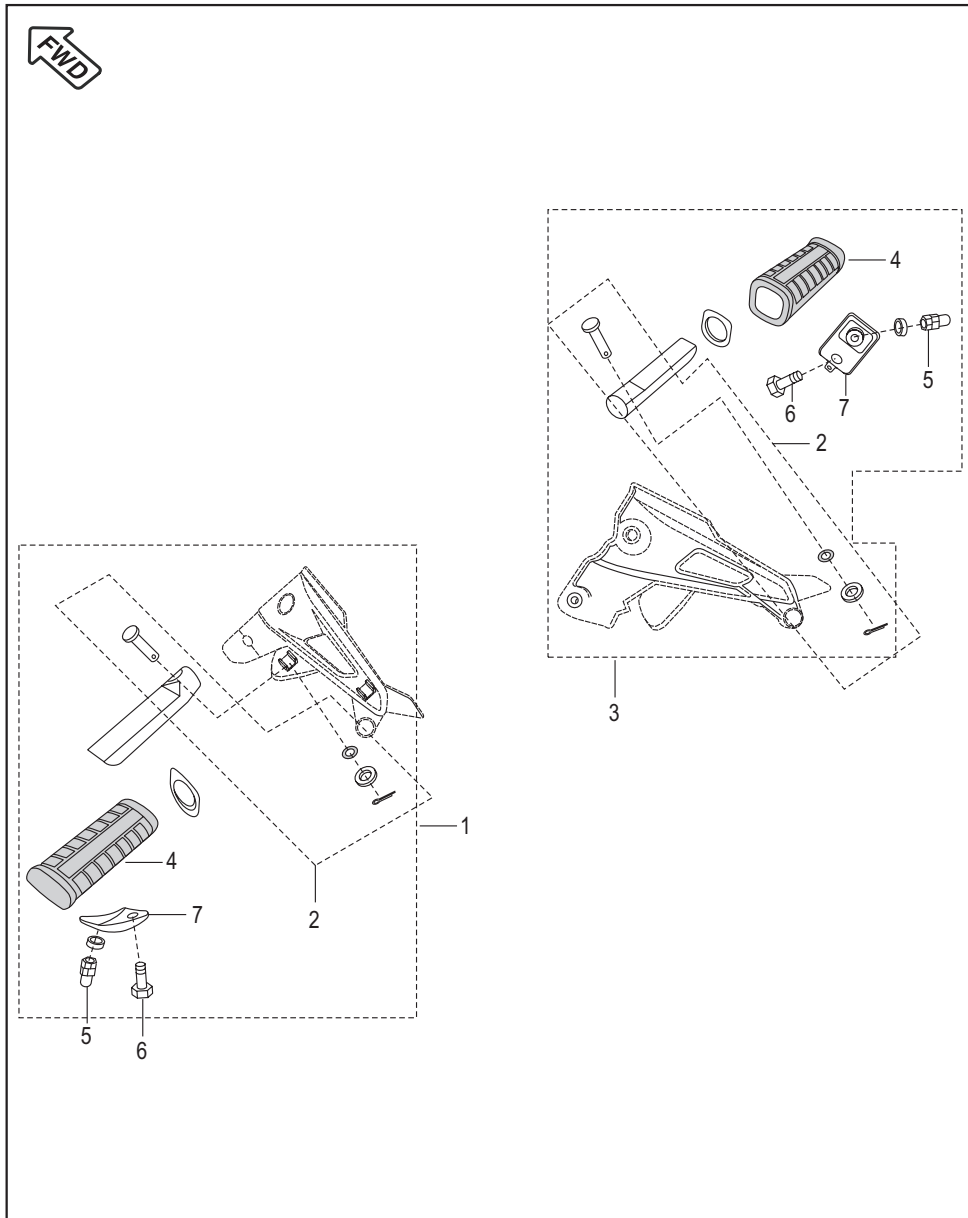
No.	Part No.	Description	Qty./Veh.	Remarks
1	JC 1610 31	Frame Assl. comp.	1	
2	DH 1611 12	Cup rear	2	
3	DG 1810 48	Nut	1	
4	DG 1810 42	Cup - Steering	1	
5	36 DV00 07	Bearing Cone Kit	1	Ref. Page No.102
6	36 3140 02	Kit Ball Steel Steering (Set of 42)	1	
7	39 1680 04	Flanged bolt	2	Old
	DS 1612 24	Flanged bolt	2	New 29.5.2010
8	DJ 1611 32	Cable Hook LH	1	
9	DJ 1611 33	Cable Hook RH	1	
10	JC 1610 15	Bkt. Engine Mounting Upper RH	1	N.I.
11	JC 1610 14	Bkt. Engine Mounting Upper LH	1	N.I.

Swing Arm / Rear Shock Absorber



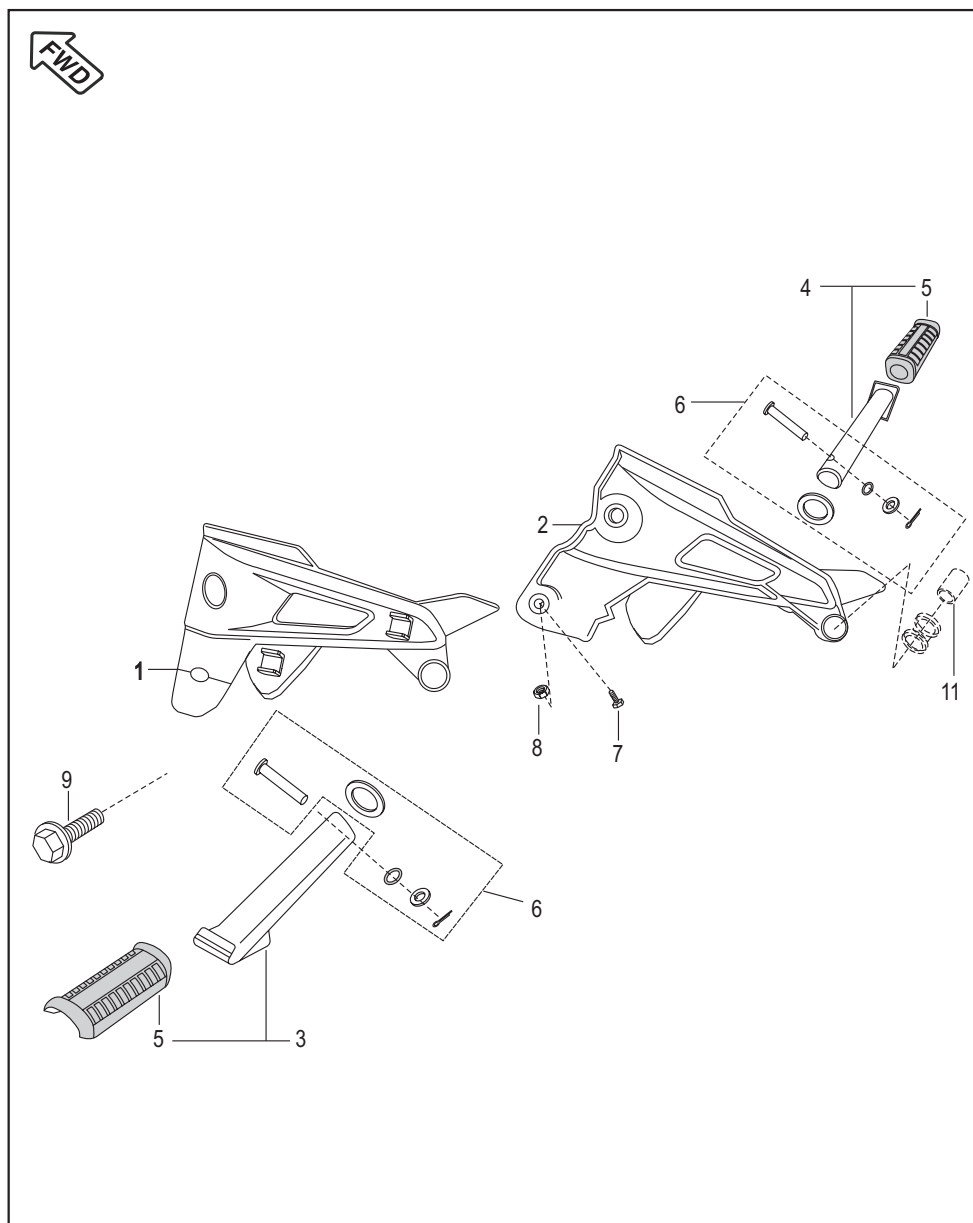
No.	Part No.	Description	Qty. /Veh.	Remarks
1	DK 1710 14	Rear Shock Absorber Assly.	2	
2	DG 1710 38	Bolt Pre-coated	2	
3	36 DK00 12	Kit bush rear shock	1	Ref. Page No.102
4	DJ 1710 35	Swing arm assly.	1	
5	DG 1710 18	Swing arm bearing	4	
6	DK 1710 06	Collar swing arm	2	
7	DG 1710 19	Oil seal swing arm	4	
8	DH 1710 19	'U' nut swing arm	1	
9	DK 1710 03	Shaft swing arm	1	
10	DG 1710 34	Chain slider	1	
11	DG 1710 21	Adjuster chain LH	2	Old
	JM 1710 03	Adjuster chain LH	2	Ref. Cir. C-31
12	DG 1710 20	Plate Chain Adjuster	2	Old
	JM 1710 04	Plate Chain Adjuster	2	Ref. Cir. C-31
13	39 1997 15	Hexagon nut	2	
14	DG 1710 22	Small nut	2	
15	39 1224 11	Washer	2	

Rider Foot Rest



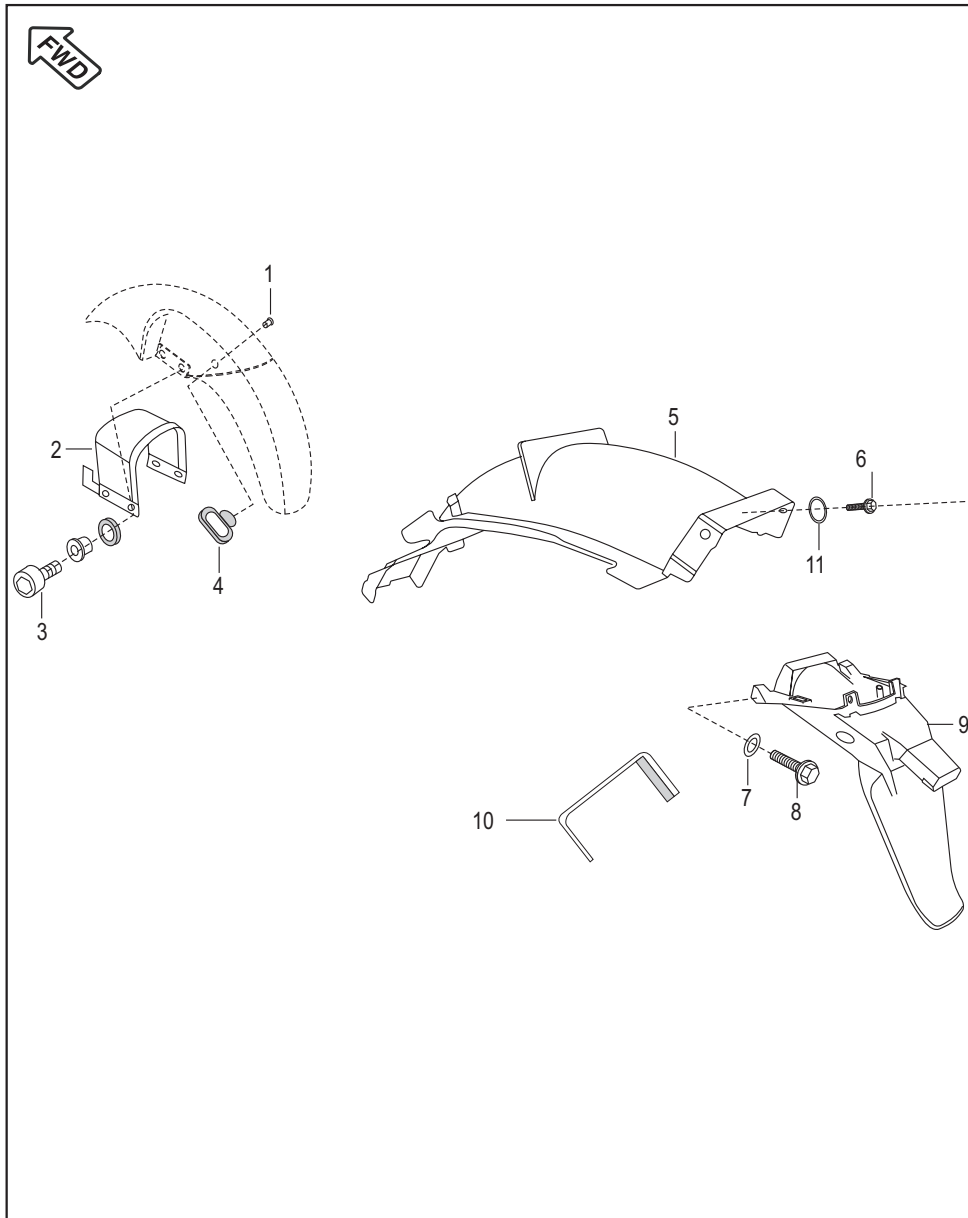
No.	Part No.	Description	Qty. /Veh.	Remarks
1	DJ 1611 26	Main step LH assly.	1	
2	36 DK00 13	Kit Hardware Main Step	2	
3	DJ 1611 27	Main step RH assly.	1	
4	DH 1610 53	Rubber main step	2	
5	39 1282 15	Domed Cap Nut M-8	2	
6	22 1504 51	Bold Hexagon Head	2	
7	DH 1610 56	Plate Coml. Low M/Step	2	

Pillion Foot Rest / Holder



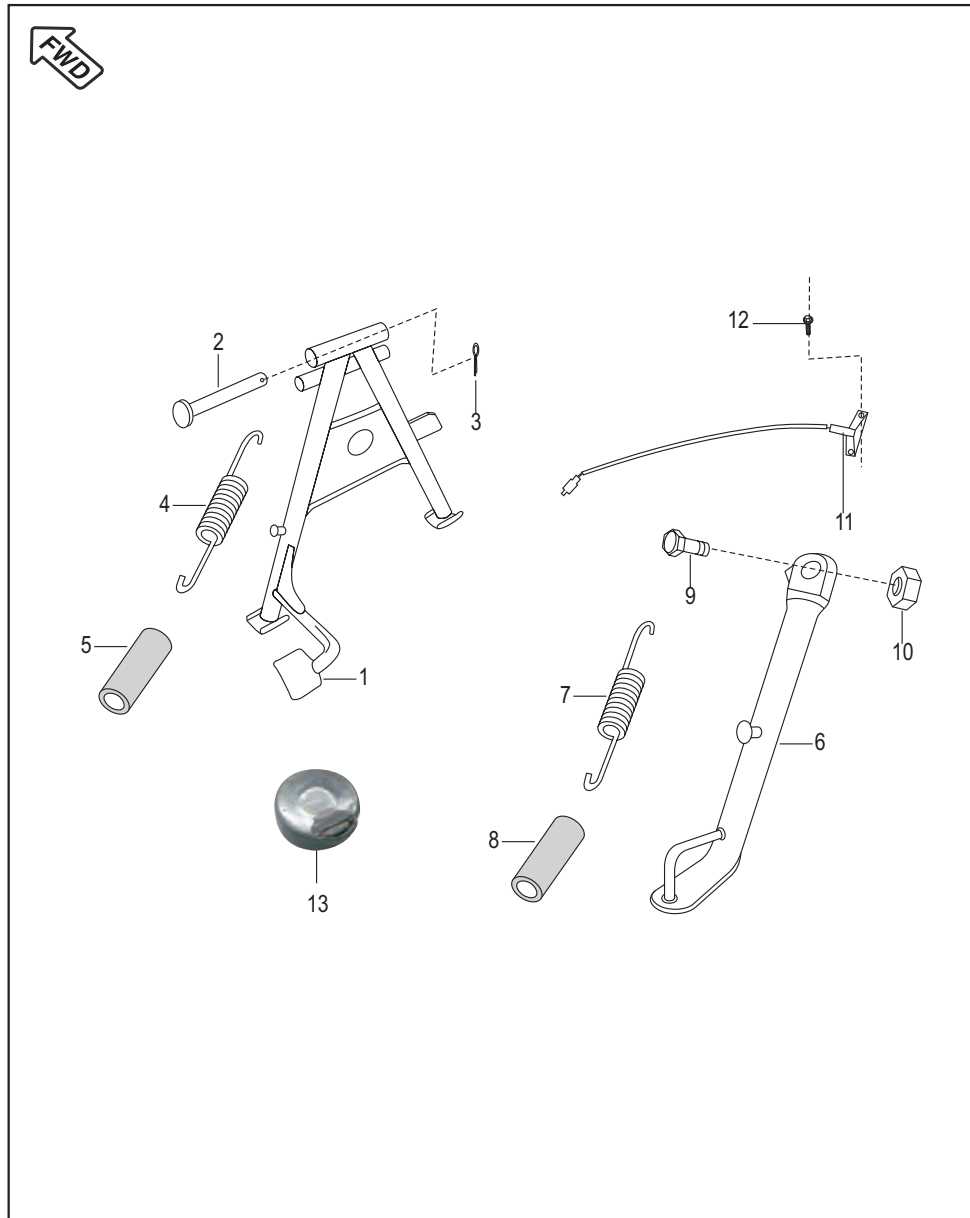
No.	Part No.	Description	Qty. /Veh.	Remarks
1	DK 1611 37	Holder Step LH	1	
	DK 1613 08	Holder Step LH	1	MLT Silver
2	JC 1610 02	Holder Step RH	1	
	DJ 1613 24	Holder Step RH	1	MLT Silver
3	DJ 1611 28	Pillion step assly. comp. LH	1	
4	DJ 1611 29	Pillion step assly. comp. RH	1	
5	DJ 1611 22	Rubber pillion step	2	
6	36 DK00 13	Kit hardware pillion	2	Ref. Page No.102
7	39 1069 01	Screw	1	Stopper bolt
8	39 0292 15	Nut	1	
9	39 2582 04	Bolt Hex Head Flange : M8X1.25XL 35 (for LH & RH Holder Step Mtg.)	2	
10	DJ 1611 86	Plate lock pillion step	2	NI
11	DH 1611 00	Spacer main step	1	NI

Mudguard - Front & Rear



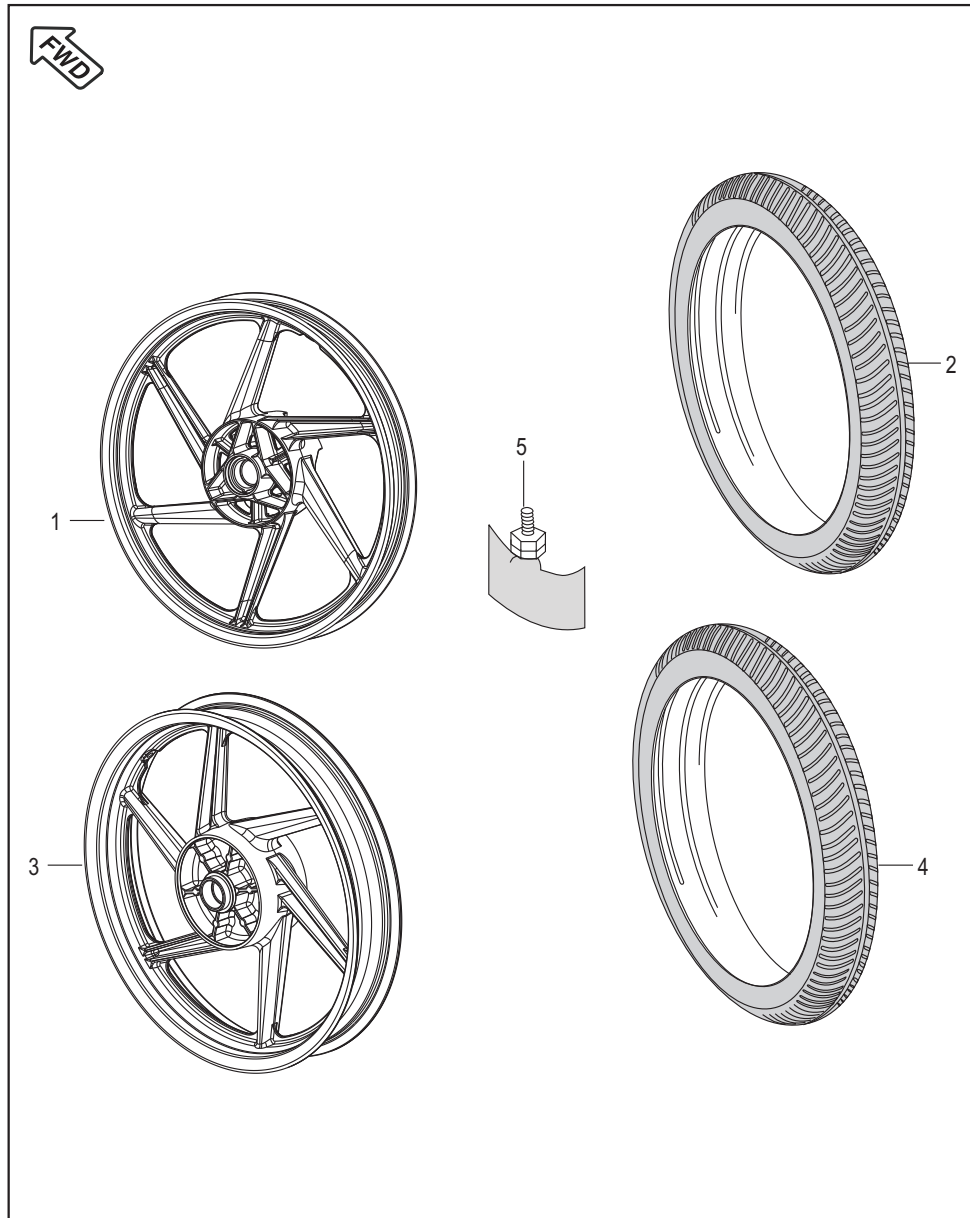
No.	Part No.	Description	Qty./Veh.	Remarks
1	DJ 1610 69	Nail for Cable Guide	1	
2	DK 1610 98	Brace fender	1	
3	59 0400 40	Step bolt	4	Fender front mtg.
4	DS 1611 25	Clamp	1	For cables
5	DK 1610 86	Fender rear front	1	
6	39 1672 04	Flange Bolt M6	2	
7	39 0711 11	Plain washer	2	
8	39 1680 04	Flange bolt	2	
9	DK 1610 85	Fender rear	1	
10	DJ 1612 72	Support assly for rear fender	1	
11	39 0211 11	Plain washer	2	

Stand Assembly



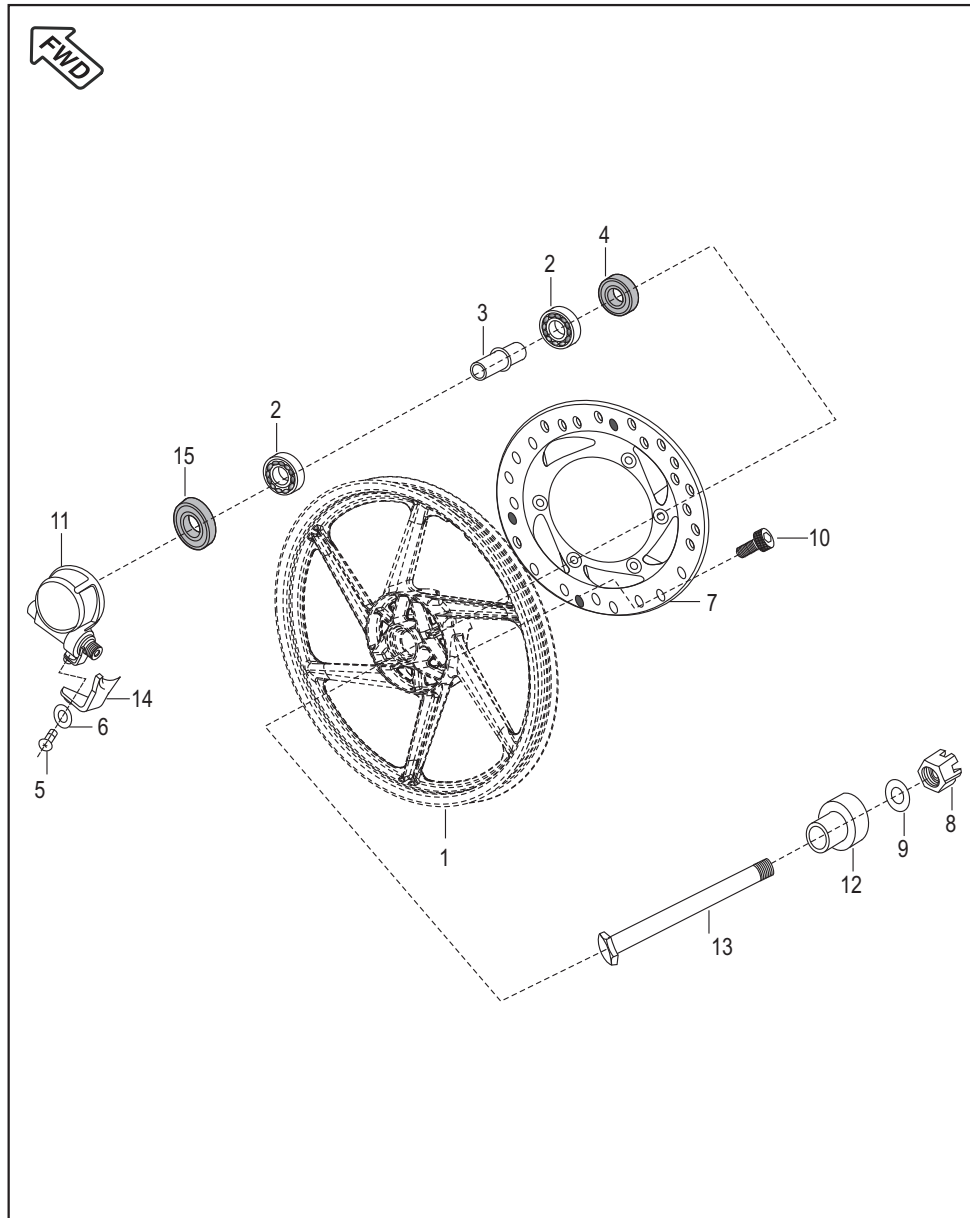
No.	Part No.	Description	Qty. /Veh.	Remarks
1	DK 1611 22	Stand main	1	
2	30 1611 57	Shaft stand	1	
3	39 0787 08	Pin cotter	1	
4	DH 1611 21	Spring main stand	1	
5	DH 1611 45	Cover spring main stand	1	
6	JC 1610 17	Stand side	1	
7	DH 1610 66	Spring side stand	1	
8	DH 1611 46	Cover spring side stand	1	
9	DF 1611 02	Bolt	1	
10	39 0422 15	Nut	1	
11	JC 2010 39	Side stand switch	1	
12	39 2060 04	Bolt	2	
13	DH 2010 65	Magnet Assly.	1	
	DJ 2011 06	Magnet Assly (Button Type)	1	

Tube / Tyre / Rim



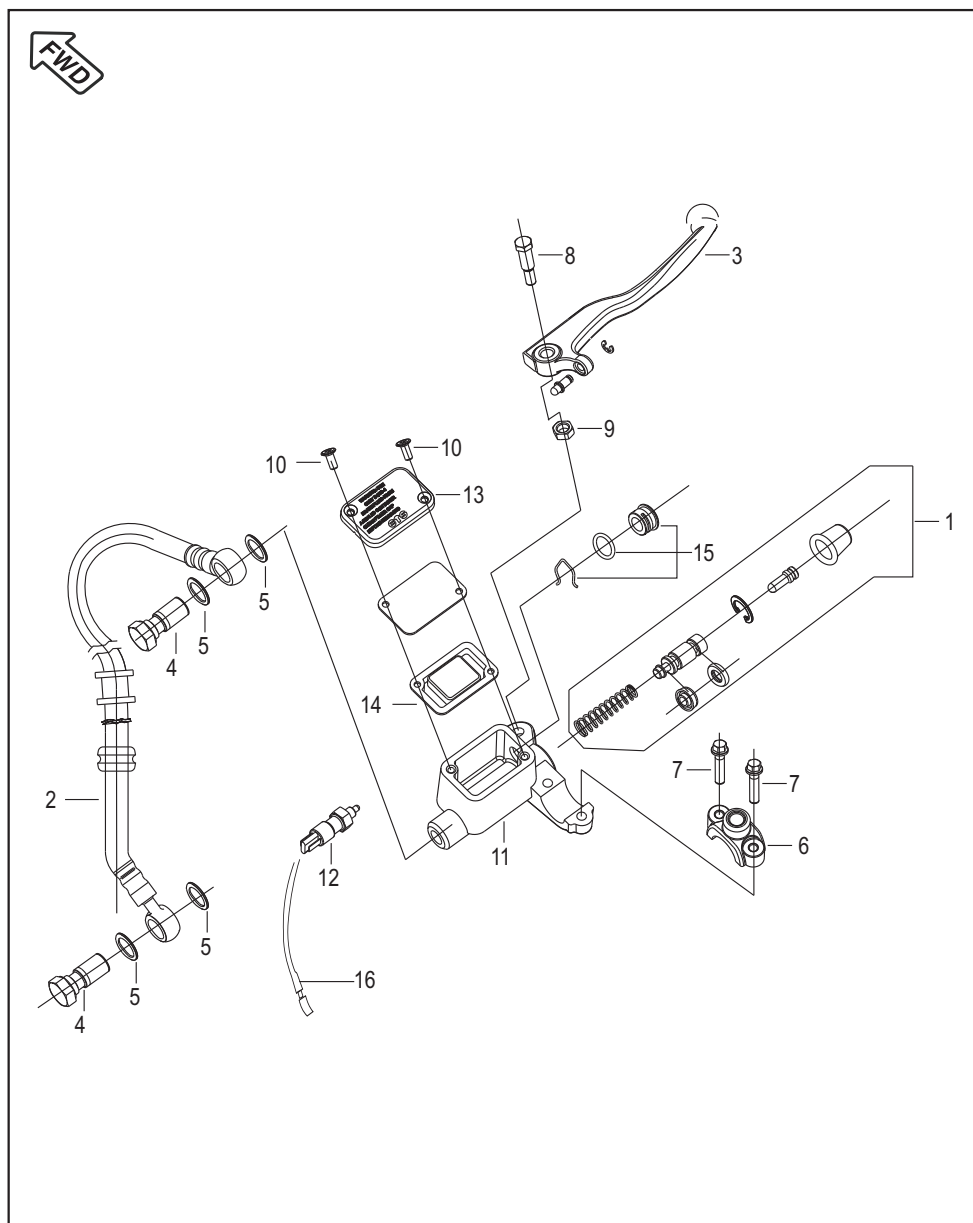
No.	Part No.	Description	Qty. /Veh.	Remarks
1	JC 1510 13	Wheel rim front (16 x 17 DC)	1	
2	DK 1510 39	Tyre front	1	Not Serviceable
3	JC 1510 10	Wheel Rim Rear	1	
4	DK 1510 40	Tyre rear	2	Not Serviceable
5	DK 1510 26	Valve for tubeless tyre		

Front Hub (For Disc Brake System)



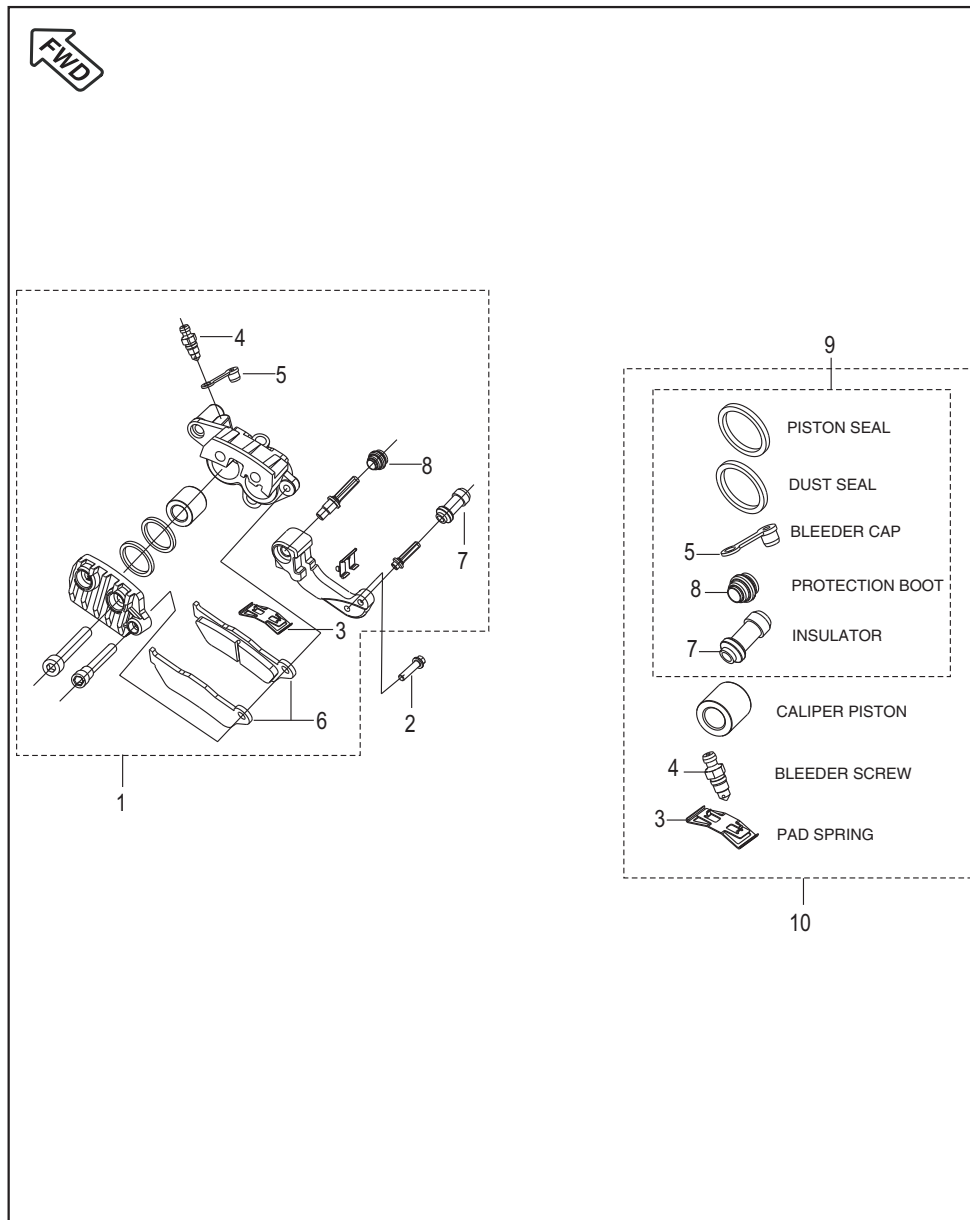
No.	Part No.	Description	Qty. /Veh.	Remarks
1	JC 1510 13	Wheel rim	1	
2	39 2241 20	Bearing ball	2	
3	DK 1510 28	Spacer assly.	1	
4	DG 1510 05	Seal oil	1	
5	39 0840 01	Screw	1	
6	39 0900 12	Washer	1	
7	DK 1510 27	Disc	1	
8	DH 1710 19	U Nut	1	
9	DG 1510 08	Plain washer	1	
10	DG 1510 49	Hex. soc. hd. bolt	6	
11	JC 1510 20	Case meter housing (W/o Speedo Sensor)	1	
12	DG 1510 07	Coller	1	
13	DK 1510 08	Front axle with head	1	
14	JC 2010 46	Stopper plate	1	
15	DE 1510 08	Seal Oil	1	

Front Master Cylinder



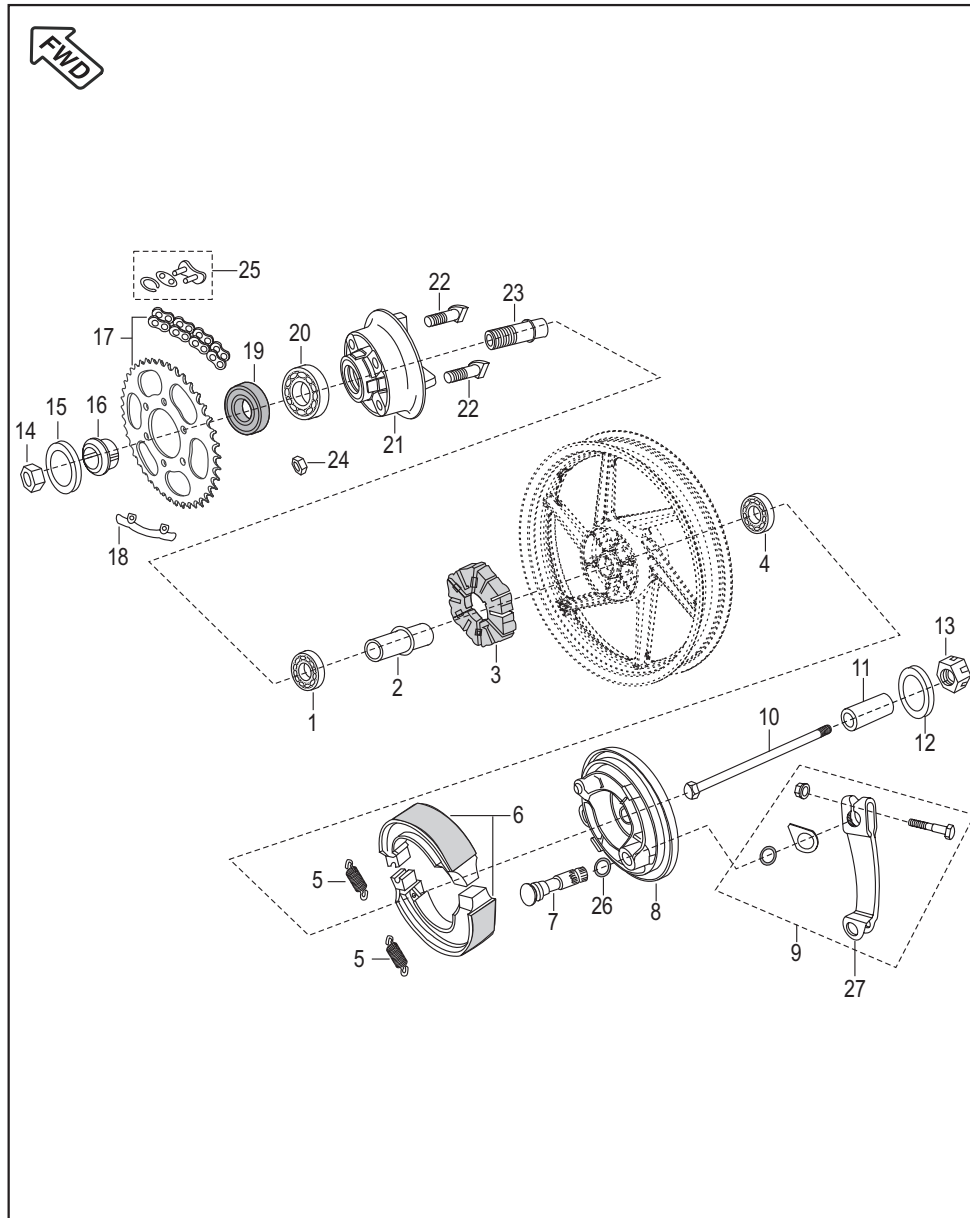
No.	Part No.	Description	Qty. /Veh.	Remarks
1	DJ 1910 23	Major Kit - Master Cylinder	1	
2	DK 1510 57	Hose Brake Front	1	
3	DJ 1910 06	Lever Grip RH	1	
4	DE 1910 11	Banjo Bolt	2	
5	DE 1910 10	Washer Copper	4	
6	DJ 1910 27	Clamp Holder RH	1	
7	DJ 1910 28	Bolt	1	
8	DJ 1910 29	Bolt Front Brake Lever	1	
9	DJ 1910 30	Nut Flanged	1	
10	DJ 1910 31	Screw	2	
11	DE 1510 15	Cylinder Master	1	
12	DJ 2011 00	Front brake switch	1	
13	DJ 1910 34	Reservoir Cover	1	
14	DJ 1910 35	Diaphragm	1	
15	36 DH19 02	Oil Window Kit	1	
16	DJ 2011 08	Cable assly for switch	1	

Front Disc Brake



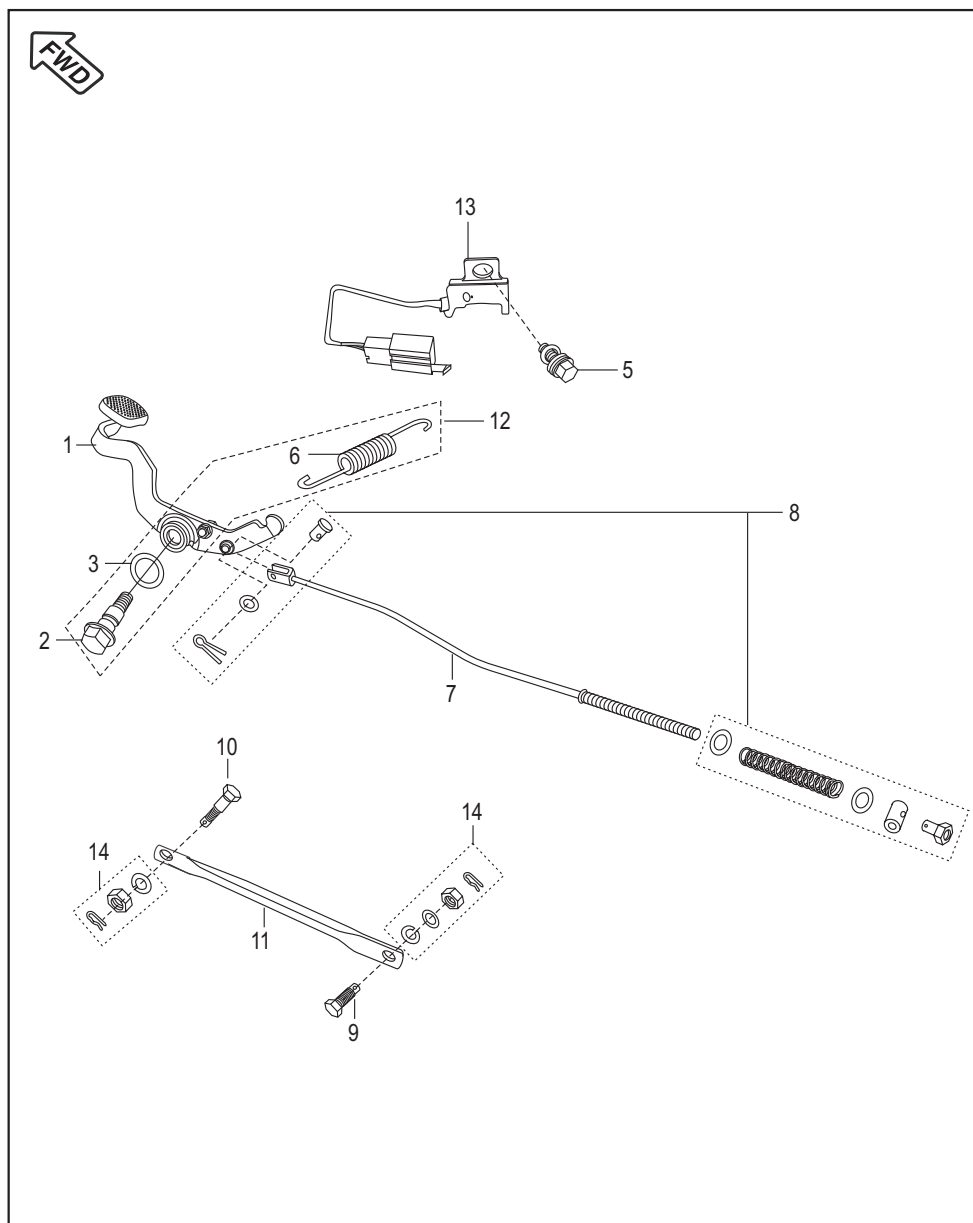
No.	Part No.	Description	Qty. /Veh.	Remarks
1	DK 1510 54	Caliper Assly. Front	1	
2	39 0400 48	Bolt Flanged	2	
3	DE 1510 48	Spring Pad	1	
4	DE 1510 46	Bleeder Screw	1	
5	DE 1510 47	Bleeder Cap	1	
6	DE 1510 37	Disc Pad Set	1	
7	DE 1510 43	Insulator	1	
8	DE 1510 45	Protection Boot	1	
9	DJ 1510 74	Minor Kit - Caliper	1	
10	DJ 1510 75	Major Kit - Caliper	1	

Rear Hub



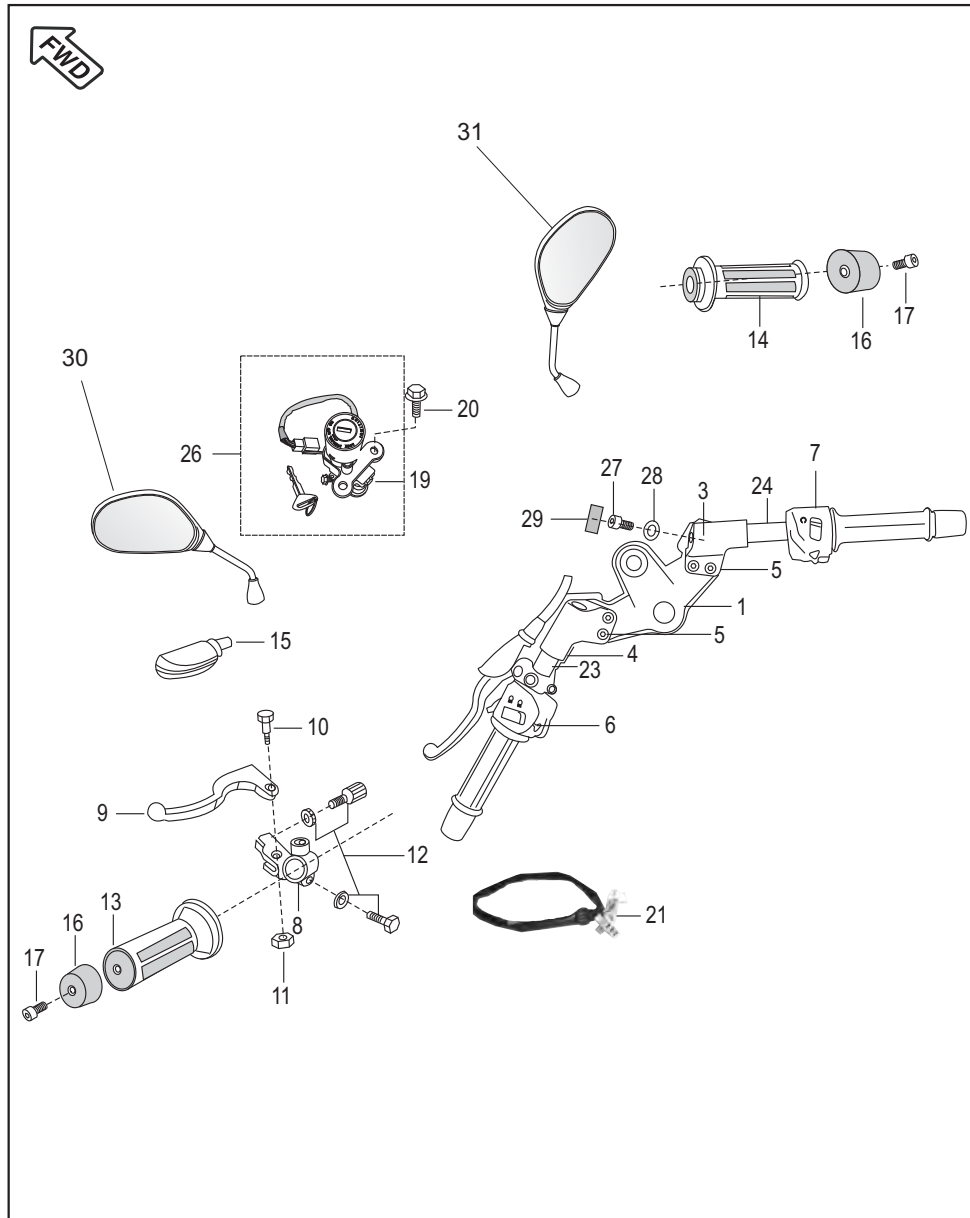
No.	Part No.	Description	Qty. /Veh.	Remarks
1	39 2686 20	Bearing ball	1	
2	DK 1510 22	Collar bearing	1	
3	JG 1312 19	Coupling Rubber	1	
4	39 2687 20	Bearing ball	1	
5	30 1510 69	Spring	2	
6	30 1511 05	Shoe brake assly.	1	
	JN 1318 12	Shoe brake assly. (Non Asbestos)	1	
7	JC 1510 05	Cam brake	1	
8	JC 1510 02	Panel rear brake	1	
9	36 JC00 07	Kit lever brake	1	Ref. Page No.102
10	DK 1510 09	Axle	1	
11	DK 1510 14	Spacer For Coupling	1	
12	39 1224 11	Plain washer	2	
13	DH 1710 19	'U' nut	1	
14	39 1997 15	Nut	1	
15	39 2566 11	Plain washer	1	
16	JC 1510 11	Spacer	1	
17	36 DK00 36	Chain Sprocket Kit	1	Ref. Page No.102
18	DS 1510 74	Lock washer	3	
19	DK 1510 12	Seal oil	1	
20	DK 1510 13	Bearing ball	1	
21	JC 1510 16	Coupling	1	
22	DS 1510 73	Stud	6	
23	DK 1510 15	Sleeve	1	
24	39 0794 15	Hex. lock nut	6	
25	DK 1510 36	Drive Chain Lock	1	
26	39 0722 11	Washer Cam brake	1	
27	JC 1510 07	Lever Brake	1	

Rear Brake Pedal



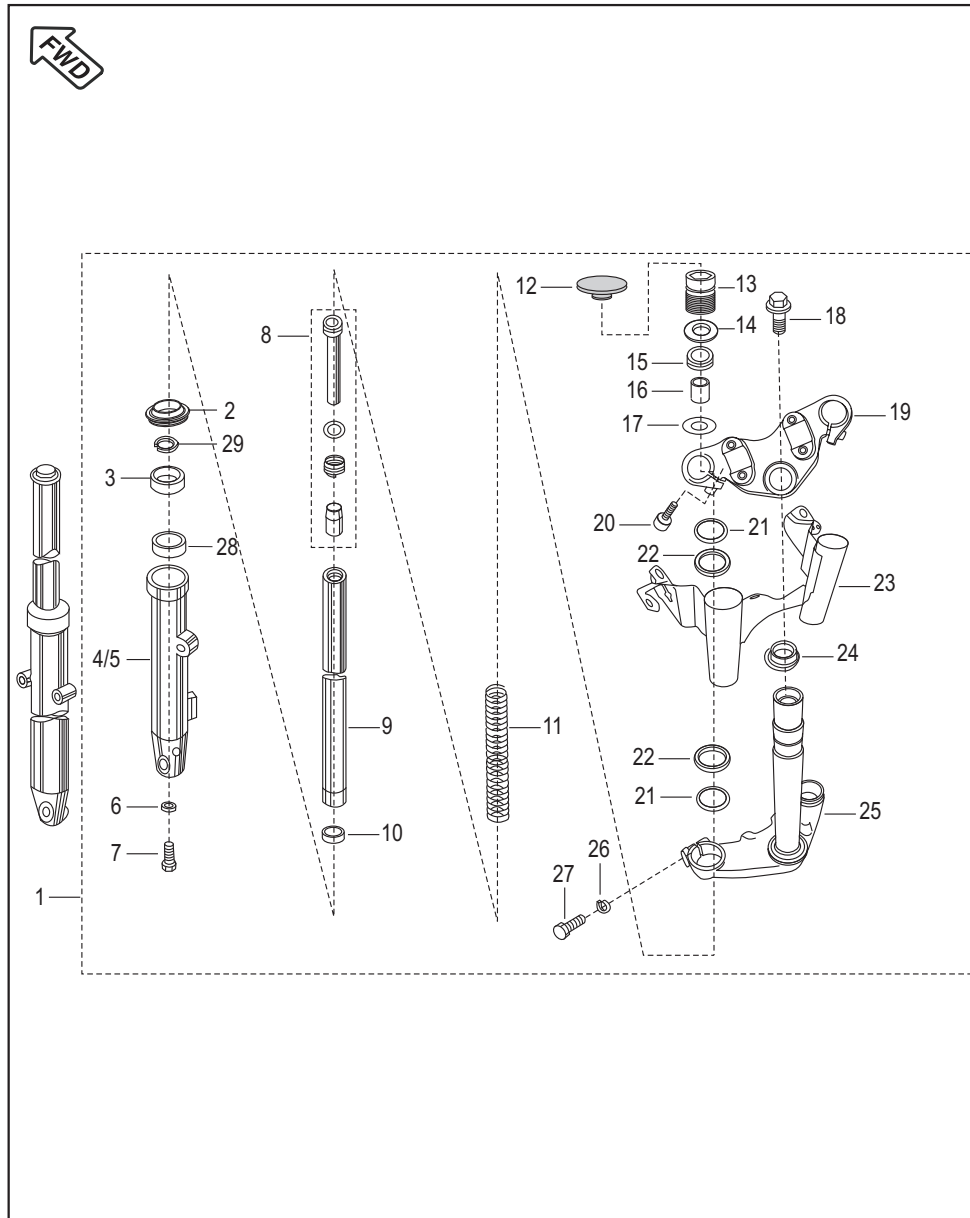
No.	Part No.	Description	Qty. /Veh.	Remarks
1	JC 1910 01	Lever Brake Pedal	1	
2	JC 1910 09	Bolt Brake Pedal	1	
3	DK 1011 85	Washer pivot bolt	1	
4	DK 1011 87	Collar pivot bolt	1	N.I.
5	39 2383 15	Flange nut	1	
6	DK 1910 13	Spring brake pedal	1	
7	JC 1910 02	Rod brake	1	
8	36 JC00 06	Kit hardware rod brake	1	Refer Page No.102
9	30 1510 95	Hex. bolt	1	
10	DH 1510 29	Hex. bolt	1	
11	JC 1510 08	Rod Torque	1	
12	36 DK00 34	Brake Pedal Kit	1	Refer Page No.102
13	JC 2010 04	Rear brake switch	1	
14	36 DH 4015	Kit Hardware torque rod	1	

Handle Bar



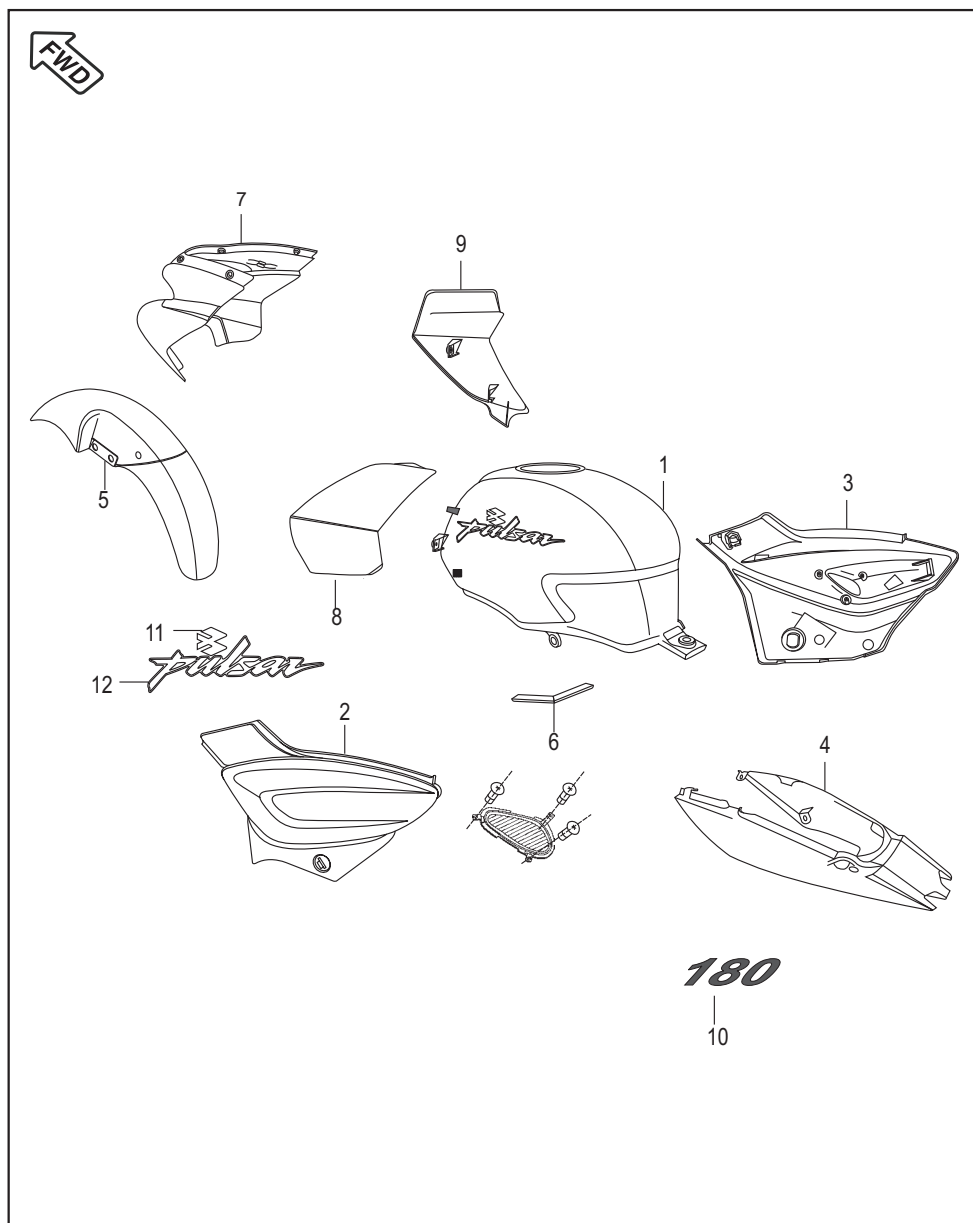
No.	Part No.	Description	Qty./Veh.	Remarks
1	DK 1810 27	Upper Bracket	1	Silver Color
	DK 1810 63	Upper Bracket	1	Black Color
2	JC 2010 21	Hall sensor assly.	1	N.I.
3	DK 1810 85	Holder handle RH	1	Silver Color
	DK 1810 62	Holder handle RH	1	Black Color
4	DK 1810 81	Holder handle LH	1	Silver Color
	DK 1810 60	Holder handle LH	1	Black Color
5	DG 1810 08	Socket bolt	4	
6	JC 2010 17	Control switch LH	1	
7	JC 2010 18	Control switch RH	1	
8	DJ 1910 54	Holder LH	1	
9	DJ 1910 55	Lever LH	1	
	DJ 1910 83	Lever LH (Transil Diode Type Clutch Switch)	1	from Chs. UCJ73042
10	DL 1910 14	Stud lever handle	1	
11	30 1910 17	Self locking nut	1	
12	36 DK00 19	Kit hardware holder LH	1	
13	DH 1910 07	Grip LH	1	
14	DH 1910 08	Grip assly. RH	1	
15	DH 1910 19	Boot for lever LH	1	
16	DJ 1810 11	Handle bar weight	2	
17	39 2427 04	Hex. soc. hd. cap screw	2	
18	DS 1910 52	Lever Boot for Clutch Switch	1	N.I.
19	JC 2010 45	Switch assly. ignition	1	
20	39 1680 04	Flange bolt	2	
21	DJ 2011 95	Clutch Switch	1	
	DJ 2012 46	Clutch Switch (Transil Diode)	1	from Chs. UCJ73042
22	DK 1810 36	Handle bar plug	1	N.I.
23	DK 1810 46	Handle bar tube assly. LH	1	
24	DK 1810 47	Handle bar tube assly. RH	1	
25	DH 1910 17	Pipe throttle	1	N.I.
26	JC 1810 29	Lock set 4 in 1	1	
27	DK 1810 58	Bolt Handle Bar M8 X 40	2	
28	39 1180 11	Washer	2	
29	DK 1810 36	Rubber Plug	2	
30	DJ 2210 03	Mirror Assly. LH	1	
31	DJ 2210 04	Mirror Assly. RH	1	

Front Fork



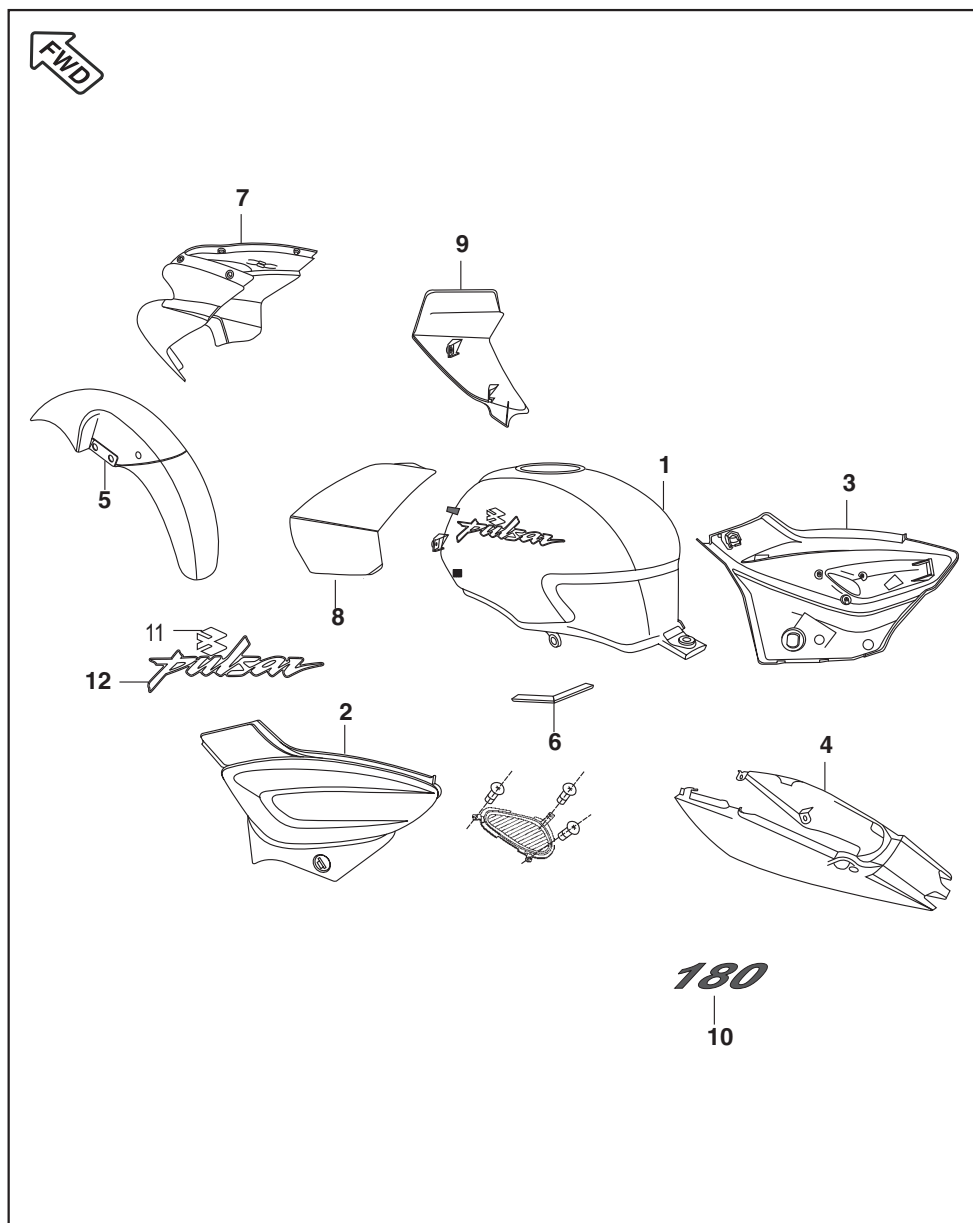
No.	Part No.	Description	Qty. /Veh.	Remarks
1	DK 1810 72	Fork front	1	
2	DK 1810 21	Inner Dust Seal	1	
3	DK 1810 19	Oil seal	2	
4	DK 1810 56	Outer Tube LH	1	
5	DK 1810 57	Outer Tube RH	1	
6	DK 1810 07	Copper Washer	2	
7	DK 1810 06	Socket Headed Bolt M10 X 1.5 X 35	2	
8	DK 1810 10	Seat Pipe	2	
9	DK 1810 70	Pipe comp. suspension inner	2	
10	DK 1810 11	Slide Bush	2	
11	DK 1810 73	Spring front fork	2	
12	DH 1810 09	Grommet Top	2	
13	DK 1810 22	Bolt fork	2	
14	DK 1810 23	'O' ring	2	
15	31 1811 01	Seat fork spring	2	
16	DK 1810 71	Spacer Tube	2	
17	DK 1810 18	Washer	2	
18	59 0400 05	Bolt	1	
19	DK 1810 27	Holder fork upper	1	
20	DG 1810 08	Socket Bolt	2	
21	JC 1810 23	Cushion Rubber	2	
22	JC 1810 22	Cover Trail B	4	
23	JC 1810 24	Lamp Shade asly.	1	
24	DG 1810 45	Bearing cone	1	
25	DK 1810 24	Holder fork under	1	
26	DK 1810 25	Spring washer	2	
27	DK 1810 26	Bolt	2	
28	DK 1810 17	Guide Bush	1	
29	DG 1810 88	Damper Assly	1	

Painted Parts & Decals



No.	Part No.	Description	Qty. /Veh.	Remarks
1	DJ 7201 4M	Fuel Tank with Decal	1	Midnight Black
	DJ 7201 2V	Fuel Tank with Decal	1	Cocktail Wine Red
	DJ 7201 4K	Fuel Tank with Decal	1	Plasma Blue
	DJ 7201 4L	Fuel Tank with Decal	1	Misty Gray Silver
	DJ 7201 5C	Fuel Tank with Decal	1	Orange Mica
	DJ 7107 5G	Fuel Tank With Dual Decal	1	PI Blue
	DJ 7107 5F	Fuel Tank With Dual Decal	1	Cw Red
2	52 DH05 34	Side cover LH	1	Midnight Black
	52 DH05 30	Side cover LH	1	Cocktail Wine Red
	52 DH05 28	Side cover LH	1	Plasma Blue
	52 DH05 32	Side cover LH	1	Misty Gray Silver
	52 DH06 75	Side cover LH Dual Decal	1	Blue Decal
	52 DH06 73	Side cover LH Dual Decal	1	Red Decal
3	52 DH05 35	Side cover RH	1	Midnight Black
	52 DH05 31	Side cover RH	1	Cocktail Wine Red
	52 DH05 29	Side cover RH	1	Plasma Blue
	52 DH05 33	Side cover RH	1	Misty Gray Silver
	52 DH06 76	Side cover RH Dual Decal	1	Blue Decal
	52 DH06 74	Side cover RH Dual Decal	1	Red Decal
4	DH 7303 4M	Seat Cowl Assly.	1	Midnight Black
	DH 7303 2V	Seat Cowl Assly.	1	Cocktail Wine Red
	DH 7303 4K	Seat Cowl Assly.	1	Plasma Blue
	DH 7303 4L	Seat Cowl Assly.	1	Misty Gray Silver
	DH 7303 5L	Seat Cowl Assly.	1	Orange Mica
5	DK 7402 2T	Front Fender	1	Misty Gray Silver
	52 DK00 13	Front Fender	1	Cocktail Wine Red
	DK 7402 3A	Front Fender	1	Plasma Blue
	DK 7402 X3	Front Fender	1	Ebony Black
6	DH 1410 20	Seat tape	1	

Painted Parts & Decals



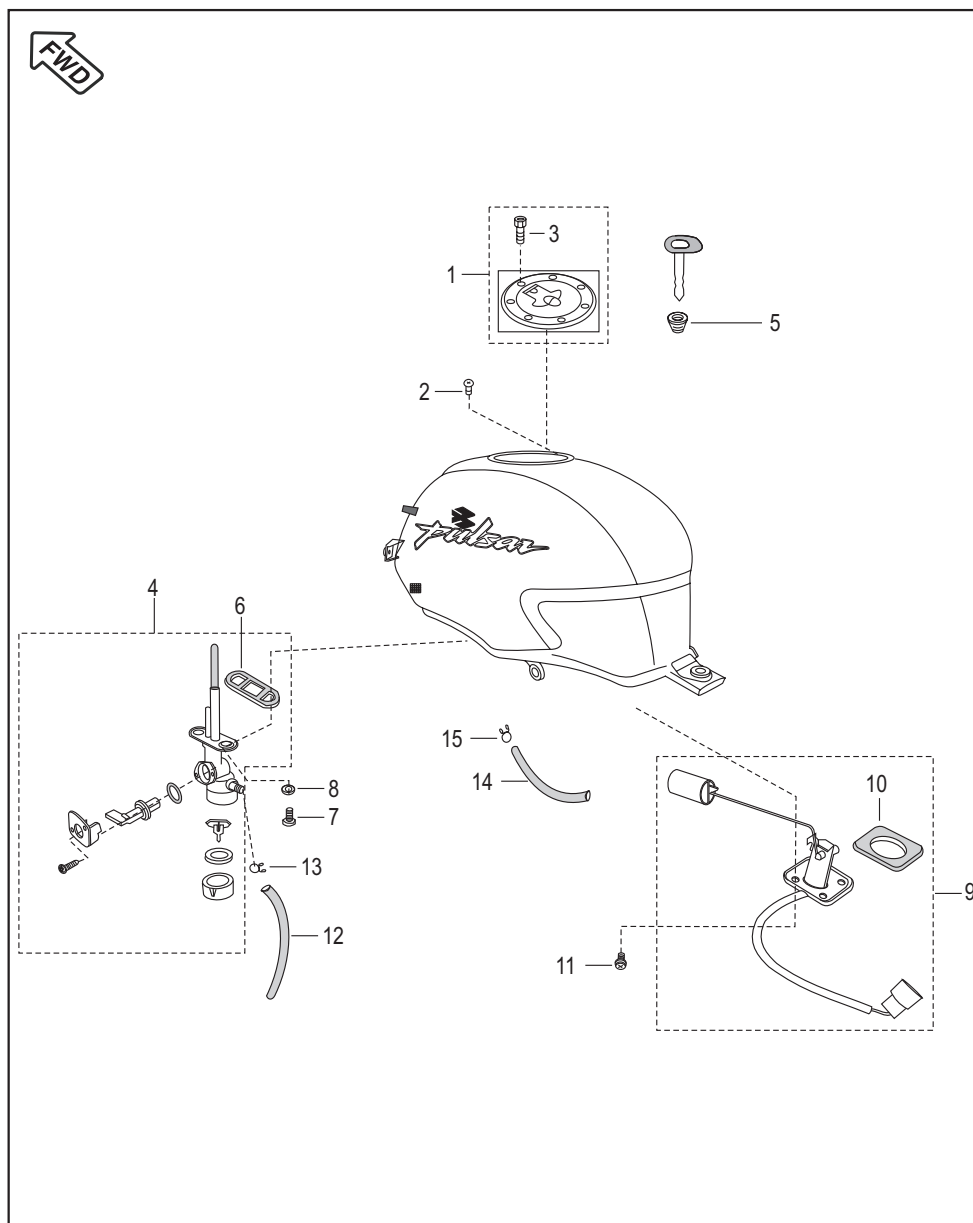
No.	Part No.	Description	Qty./Veh.	Remarks
7	DH 7401 4M	Fairing	1	Midnight Black
	DJ 7401 2V	Fairing	1	Cocktail Wine Red
	DH 7401 4K	Fairing	1	Plasma Blue
	DH 7401 4L	Fairing	1	Misty Gray Silver
	DH 7401 5C	Fairing	1	Orange Mica
	52 DH06 83	Fairing with Dual Decal	1	PI Blue
	52 DH06 82	Fairing with Dual Decal	1	Cw Red
8	52 DJ03 63	Tank Flap LH	1	Midnight Black
	52 DJ03 57	Tank Flap LH	1	Cocktail Wine Red
	52 DJ03 59	Tank Flap LH	1	Plasma Blue
	52 DJ03 61	Tank Flap LH	1	Misty Gray Silver
	52 DJ04 08	Tank Flap LH	1	Orange Mica
9	52 DJ03 64	Tank Flap RH	1	Midnight Black
	52 DJ03 58	Tank Flap RH	1	Cocktail Wine Red
	52 DJ03 60	Tank Flap RH	1	Plasma Blue
	52 DJ03 62	Tank Flap RH	1	Misty Gray Silver
	52 DJ04 09	Tank Flap RH	1	Orange Mica
10	DJ 1613 07	Seat Cowl Decal	2	Black (Ref.Cir.C-20)
	DJ 1613 04	Seat Cowl Decal	2	Red (Ref.Cir.C-20)
	DJ 1613 05	Seat Cowl Decal	2	Blue (Ref.Cir.C-20)
	DJ 1613 06	Seat Cowl Decal	2	Silver (Ref.Cir.C-20)
	DJ 1613 13	Seat Cowl Decal	2	Ref. Cir. C-27
11	JC 1410 51	'B' Monogram Tank Black Chrome	2	For Silver Colour
	JC 1410 50	'B' Monogram Tank Gray Chrome Decal	2	For Black,Blue, Red Colour
12	36 JC00 08	Decal Kit LH (Black Chrome)	1	For Silver Colour
	36 JC00 09	Decal Kit RH(Black Chrome)	1	For Silver Colour
	36 JC00 10	Decal Kit LH(Grey Chrome)	1	For Black,Blue, Red Colour
	36 JC00 11	Decal Kit RH(Grey Chrome)	1	For Black,Blue, Red Colour
13	DJ 1410 61	Rubber Beading (On Flap)	2	N.I.

Dual Color Decals



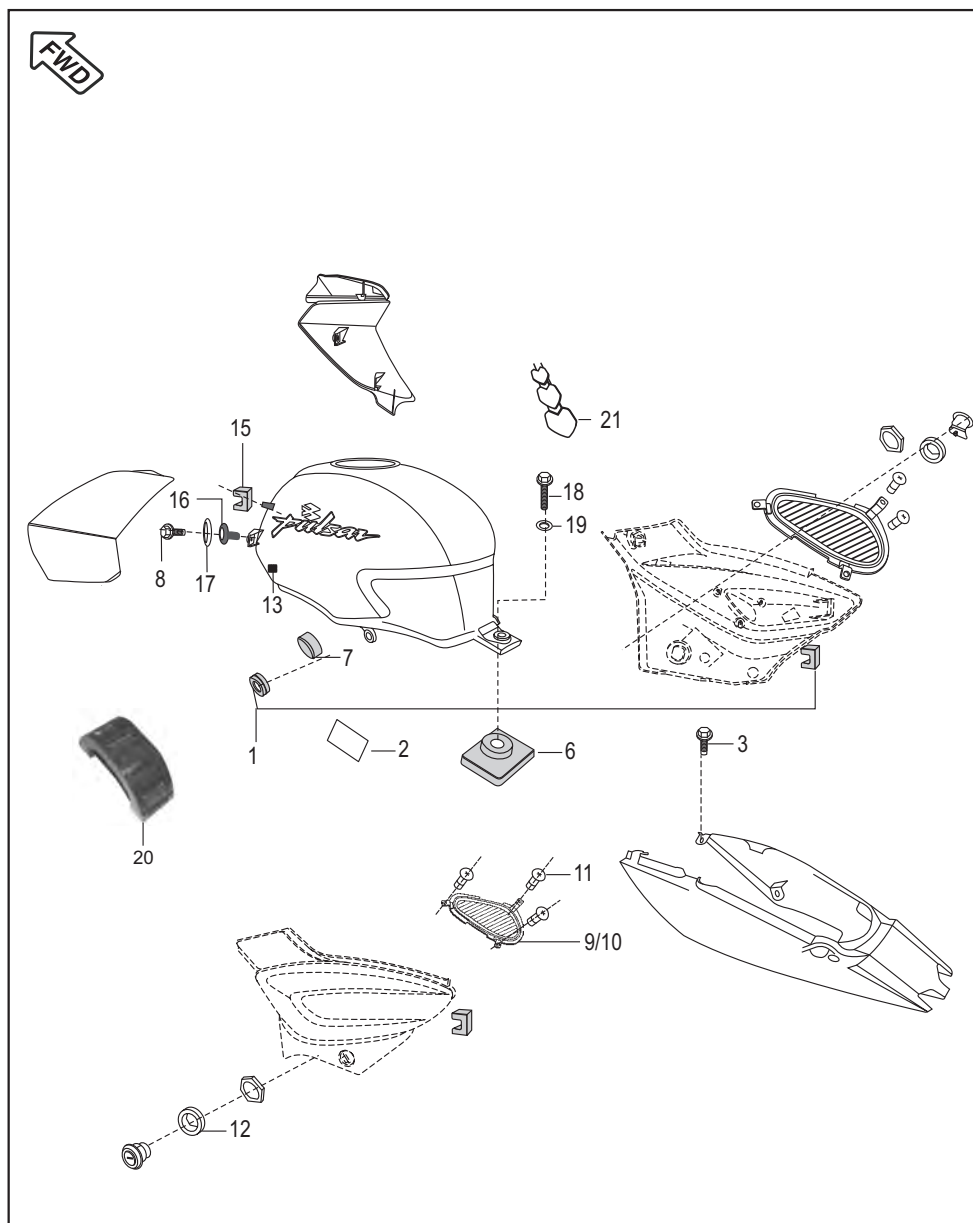
No.	Part No.	Description	Qty. /Veh.	Remarks
1	36 DH40 35	Kit Fairing Decal Blue	1	
	36 DH40 38	Kit Fairing Decal Red	1	
2	36 DH40 34	Kit Tank Decal Blue	1	
	36 DH40 37	Kit Tank Decal Red	1	
3	36 DK00 84	Kit Side Cover Decal Blue	1	
	36 DK00 88	Kit Side Cover Decal Blue	1	
4	36 DJ40 23	Kit Seat Cowl Decal Blue	1	
	36 DJ40 24	Kit Seat Cowl Decal Red	1	

Petrol Cock, Cap Tank & Gauge Fuel



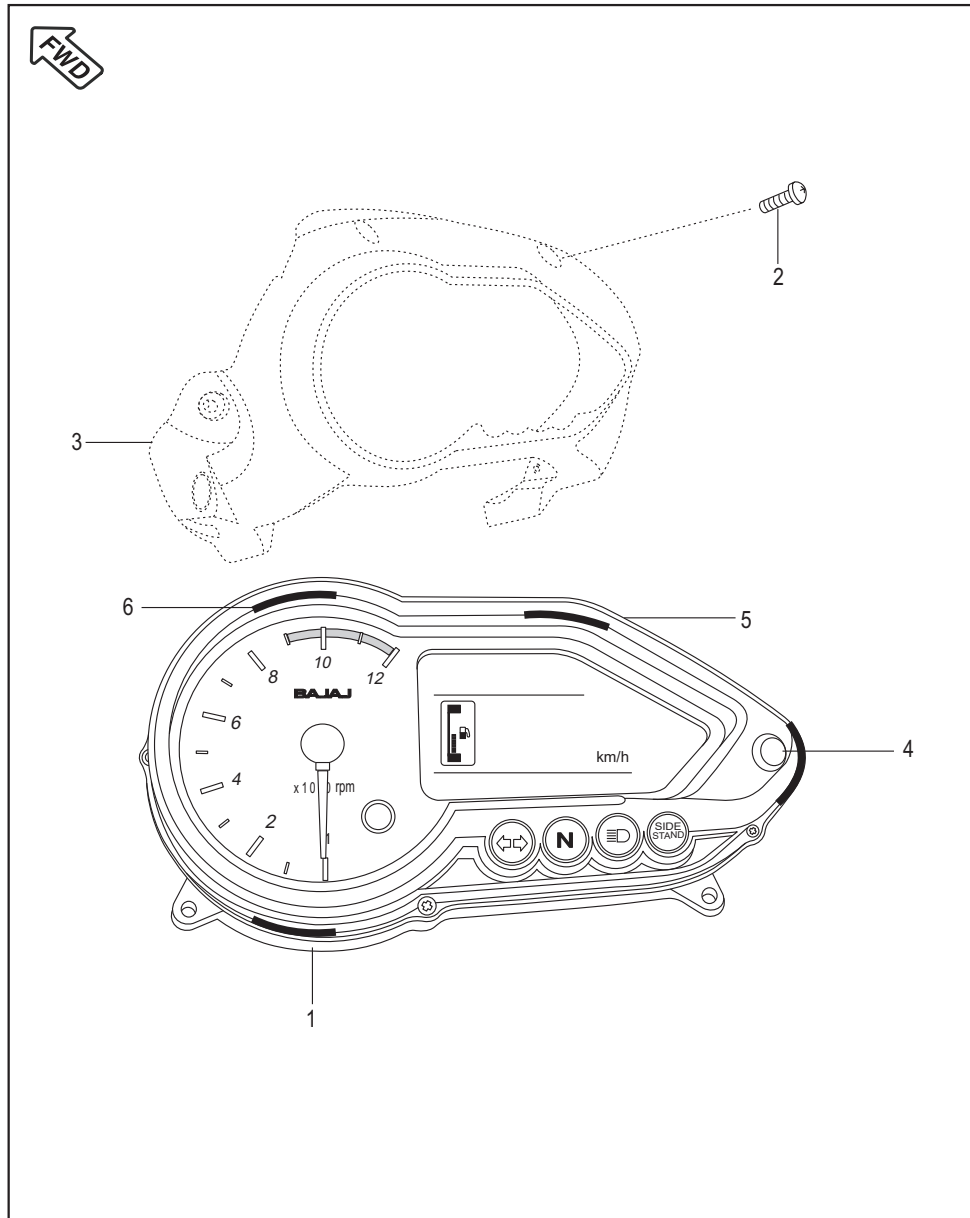
No.	Part No.	Description	Qty. /Veh.	Remarks
1	DK 1410 14	Cap Assly. Tank	1	
2	30 1780 01	Pan head screw	1	
3	39 2381 04	Hex. Soc Hd. cap bolt	7	
4	DK 1410 01	Tap Assly	1	
5	DK 1410 13	Lock Cap Tank	1	
6	30 1410 39	Packing	1	
7	DD 1412 27	Bolt flanged	2	
8	39 0740 11	Plain Washer	2	
9	DK 2010 65	Gauge Fuel	1	
10	39 2758 21	Gasket fuel Gauge	1	
11	39 2484 15	Nut Flange M-5	4	
12	52 DJ03 13	Fuel Pipe with Clip E10	1	
13	BA 1220 03	Pipe clip	1	
14	DH 1410 24	Drain tube	1	
15	DG 1410 28	Clamp	1	
16	DH 141021	Seat Tape	1	

Fitting Petrol Tank Spoiler, Side Cover, Seat Cowl



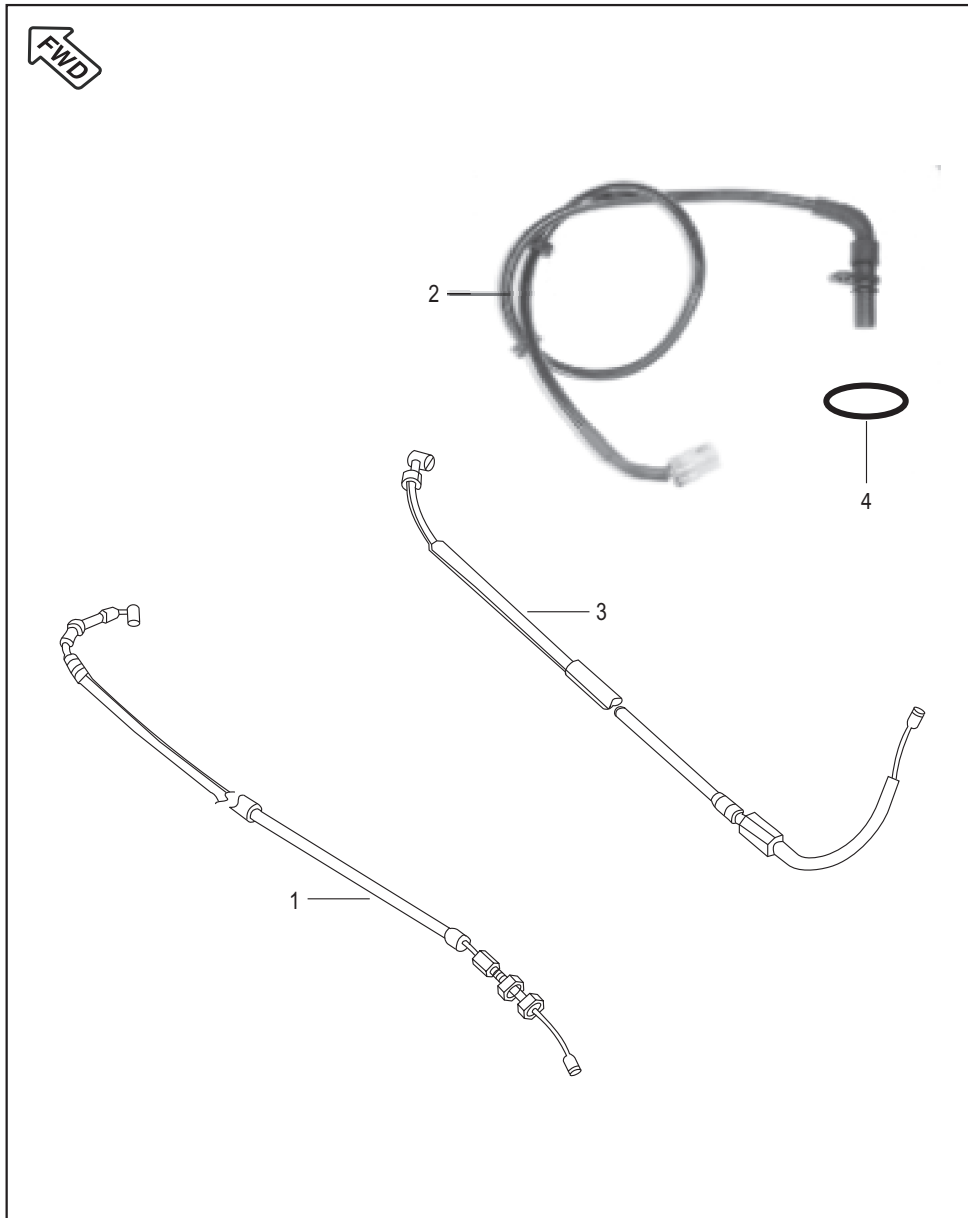
No.	Part No.	Description	Qty. /Veh.	Remarks
1	36 DH16 01	Grommet Kit For side cover	1	Ref. Page No.103
2	DH 1410 31	Tape tank inner	2	
3	DG 1611 21	Screw	2	
4	39 2424 11	Plain Washer	1	
5	JC 1810 29	Lock Set (4 in 1) with Key	1	N.I.
6	DH 1410 23	Damper	1	
7	DJ 1410 08	Damper front	2	
8	39 1902 04	Flanged Bolt	1	
9	DK 1611 23	Cover Side Mesh LH	1	
10	DK 1611 24	Cover Side Mesh RH	1	
11	59 0200 01	Self Tap Screw	6	
12	31 1610 18	Damper	2	
13	JW 1710 07	Dual Tape	2	
14	JD 1710 18	Special Tape	2	
15	JC 1410 15	Grommet	2	
16	JC 1410 17	Grommet II	2	
17	JC 1410 16	Collar	2	
18	39 1556 04	Flange Bolt	1	
19	39 2424 11	Plain Washer	1	
20	DK 1410 17	Damper tank middle	1	
21	DK 1410 15	Tank Pad	1	

Meter Assly



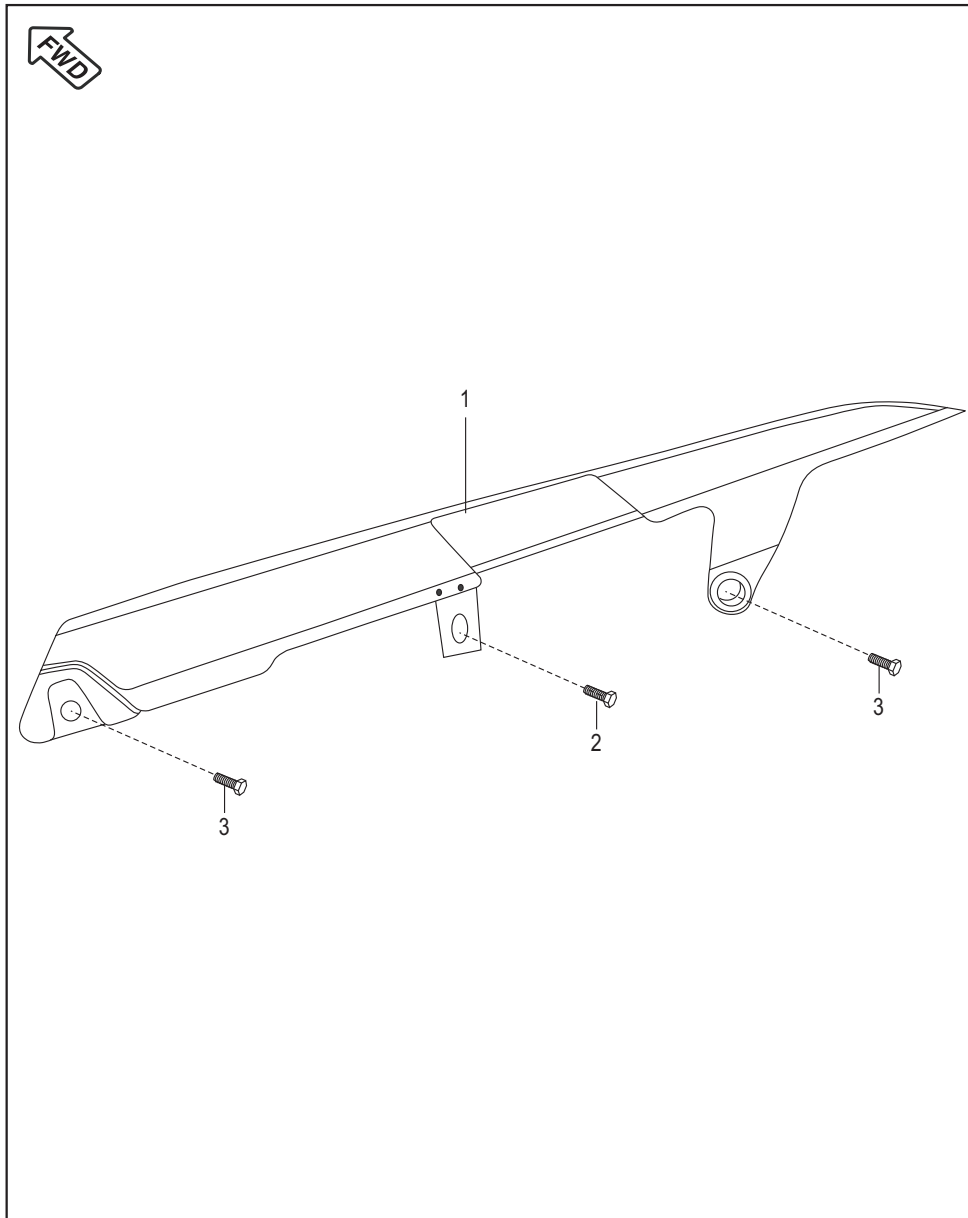
No.	Part No.	Description	Qty. /Veh.	Remarks
1	DJ 1910 71	Meter Assly / Instrument Cluster	1	
2	39 1778 02	Self Tapping Screw	4	
3	DJ 1811 19	Back Cover	1	
4	DJ 2011 74	Trip Meter Knob	1	
5	DJ 2011 59	Speedo Meter Top Cover	1	
6	DK 1612 09	Tape I	4	

Control Cables



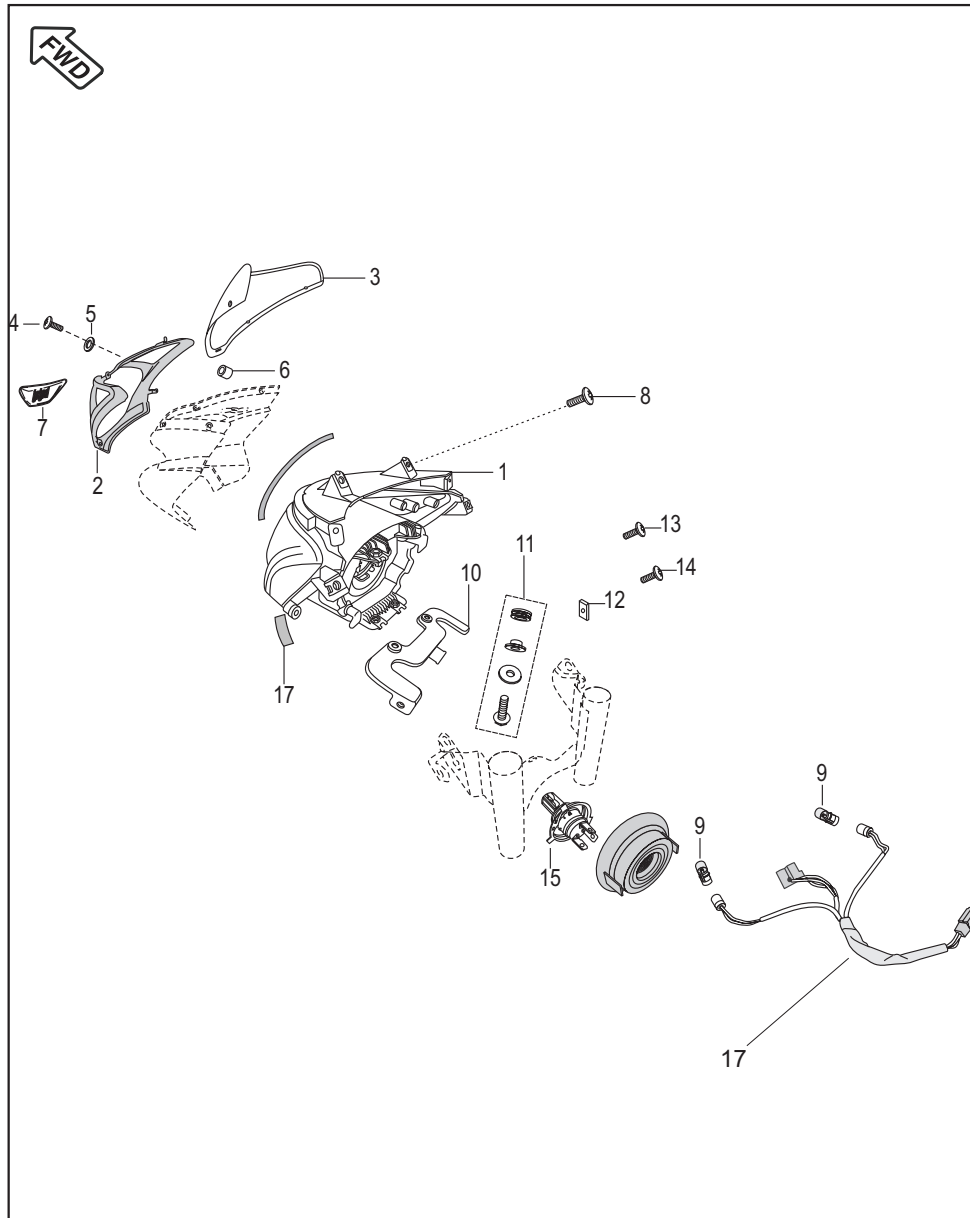
No.	Part No.	Description	Qty. /Veh.	Remarks
1	DJ 1910 61	Cable Accelerator	1	
2	JC 2010 43	Vehicle Speedos Sensor (Potted)	1	
3	JC 1910 04	Cable Clutch	1	
4	59 2100 19	'O' ring	1	

Chain Cover



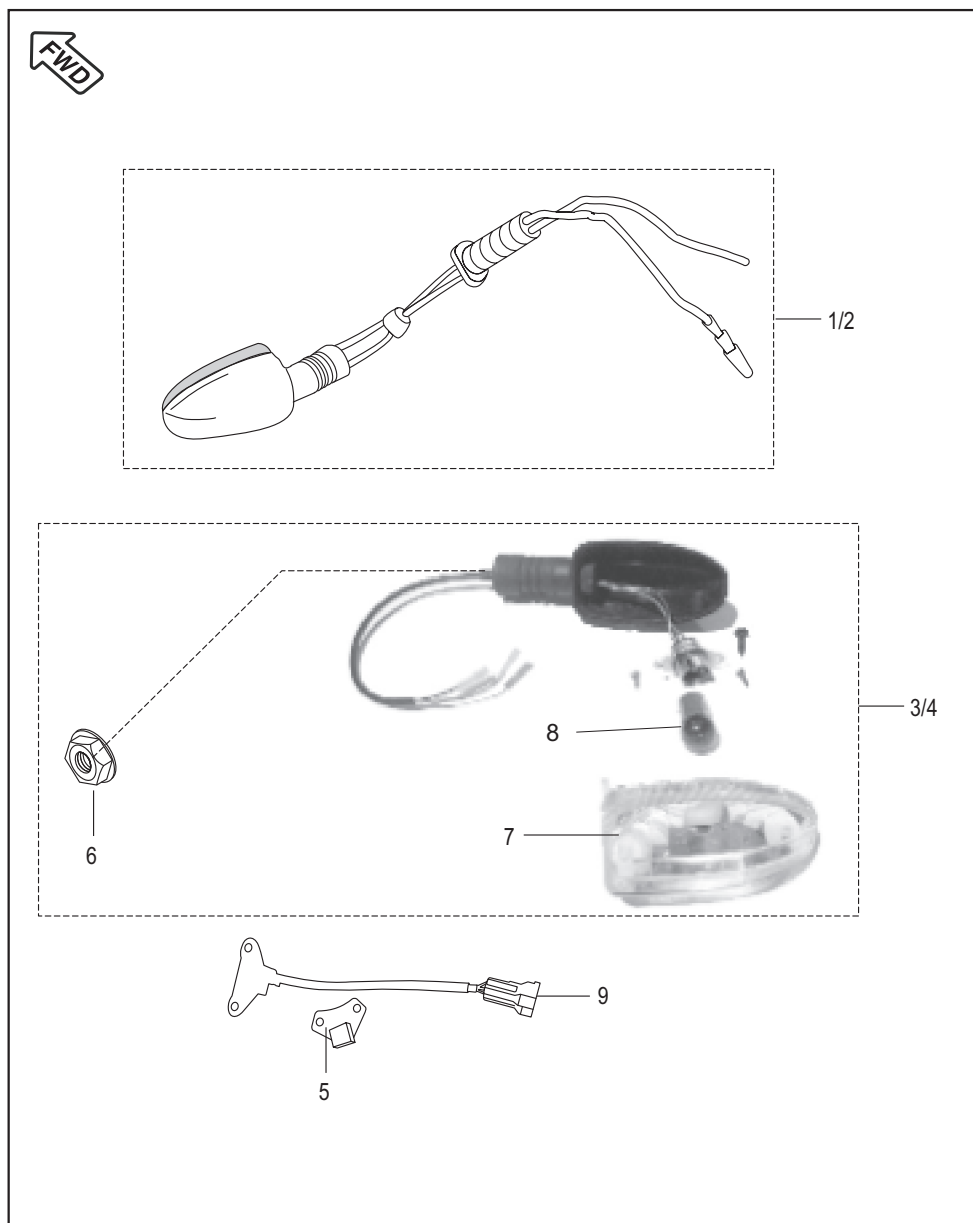
No.	Part No.	Description	Qty. /Veh.	Remarks
1	DK 1612 50	Cover Chain assly	1	
2	DH 1612 83	Bolt (Small)	1	
3	39 1680 04	Bolt (Big)	2	

Head Lamp & Fairing



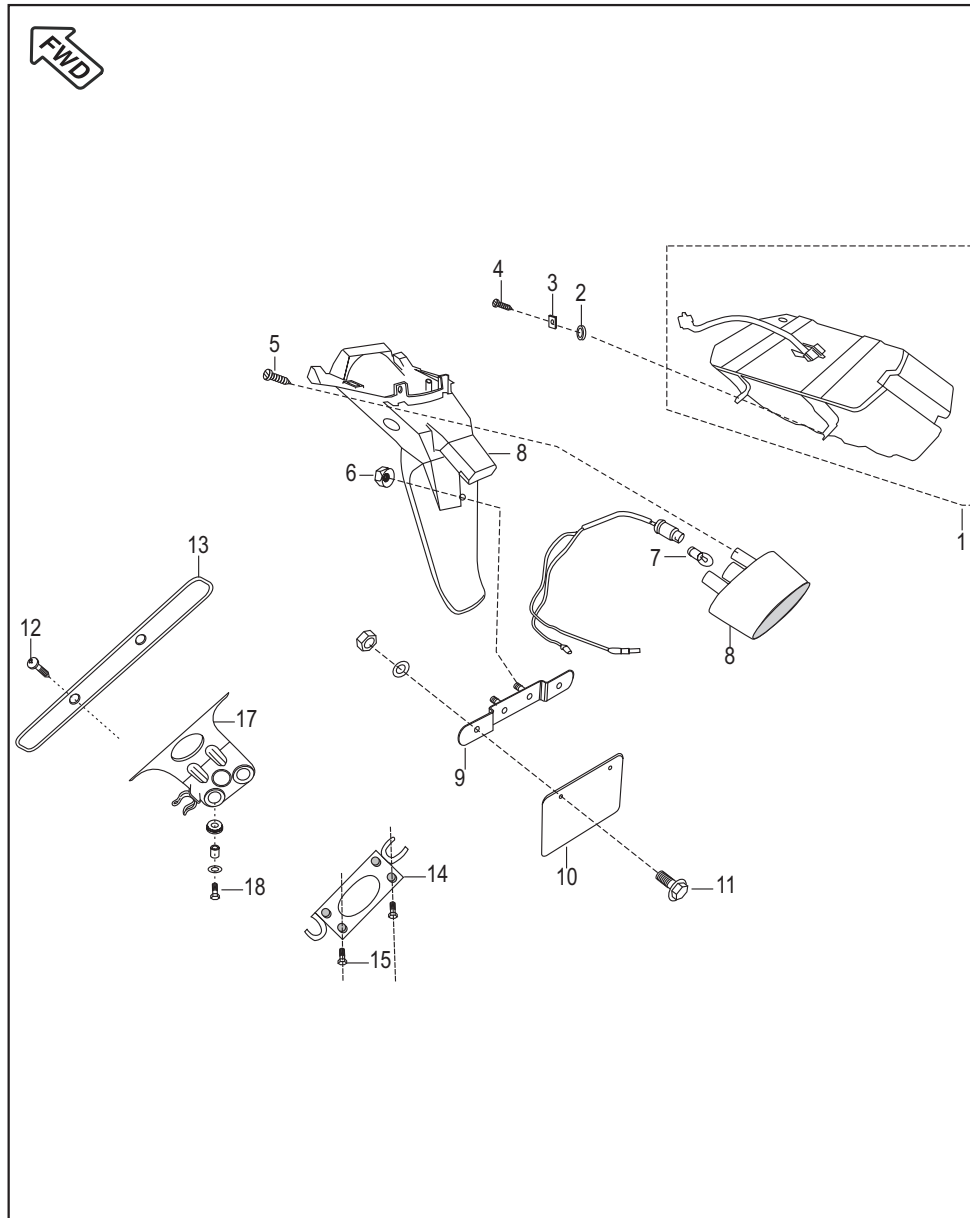
No.	Part No.	Description	Qty. /Veh.	Remarks
1	DJ 2011 76	Head Lamp Assly. without Bulb	1	
2	DJ 1811 20	Head Lamp Mask	1	
3	DJ 1810 33	Wind Shield	1	
4	DF 1810 98	Bolt	4	
5	39 2141 24	Non Metallic Washer	4	
6	DL 1810 10	Well Nut	4	
7	DJ 1810 37	Decal Wind Shield	1	
8	39 1907 01	M5 x 15L mushroom HD	2	
9	DJ 2010 72	Pilot Bulb	2	
10	DH 1810 52	Fairing mounting upper bracket	1	
11	36 DH40 20	Kit hardware mtg. bracket	1	Ref. Page No.103
12	DJ 1612 29	Clip Nut	4	
13	39 0716 01	Screw pan cross	2	
14	39 1524 01	Screw pan cross	2	
15	CL 2010 23	Lamp 12V 35/35W-HS1	1	
16	DJ 1810 69	Packing Fairing	1	
17	DJ 2012 30	Head Lamp Wiring Harness	1	

Indicator Light Assly



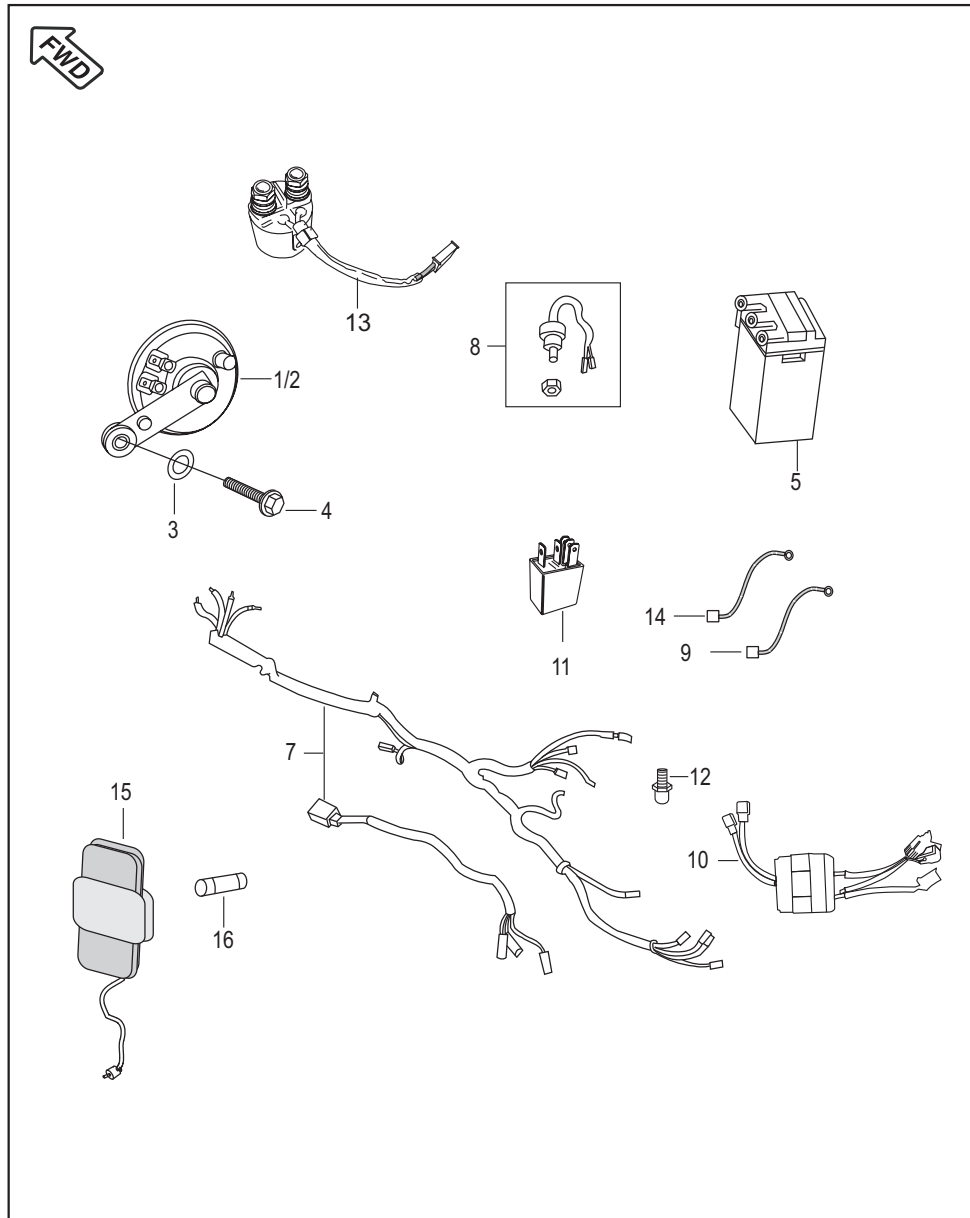
No.	Part No.	Description	Qty. /Veh.	Remarks
1	DJ 2012 07	Blinker Front LH flexible	1	
2	DJ 2012 06	Blinker Front RH flexible	1	
3	DJ 2012 06	Blinker Rear LH flexible	1	
4	DJ 2012 07	Blinker Rear RH flexible	1	
5	DJ 2011 81	Magnet assly. blinker self cancellation	1	
6	39 1225 15	Hex. Nut With Flange	4	
7	DJ 2010 49	Lens for Blinker LH	2	
	DJ 2010 50	Lens for Blinker RH	2	
8	GH 2010 12	Lamp 12V 10W	4	
9	JC 2010 21	Hall Sensor	1	
10	39 2208 04	Bolt	2	For Hall Sensor Mounting (N.I.)

Tail Lamp Assly / Front & Rear No. Plate



No.	Part No.	Description	Qty. /Veh.	Remarks
1	DK 2010 03	Tail light Assly	1	
2	DH 1612 93	Damper	2	
3	DK 1611 53	Clip Nut	4	
4	59 0100 13	Screw pan cross	4	
5	39 1907 01	Truss Screw	2	
6	39 1972 15	Nut flange	2	
7	30 2010 29	Lamp 12V-4W	1	
8	JW 4010 11	No. Plate illumination	1	
9	DJ 1610 72	Rear No. plate bkt.	1	
10	DP 1611 45	Number plate Rear	1	
11	39 1680 04	Hex Flanged Bolt	2	
12	39 1783 01	Truss Screw	2	For Front No. Plate
13	DP 1611 44	Number plate front	1	
14	JC 1810 26	No. plate mounting bracket	1	
15	39 1062 04	Bolt flange	2	
16	DH 1612 93	Damper front no. Plate	1	
17	JC 1810 25	Front no. plate bracket	1	
18	39 1943 04	Bold Flange M6	2	
19	DJ 1810 83	Sleeve	2	No. Plate Bracket

Electric Component



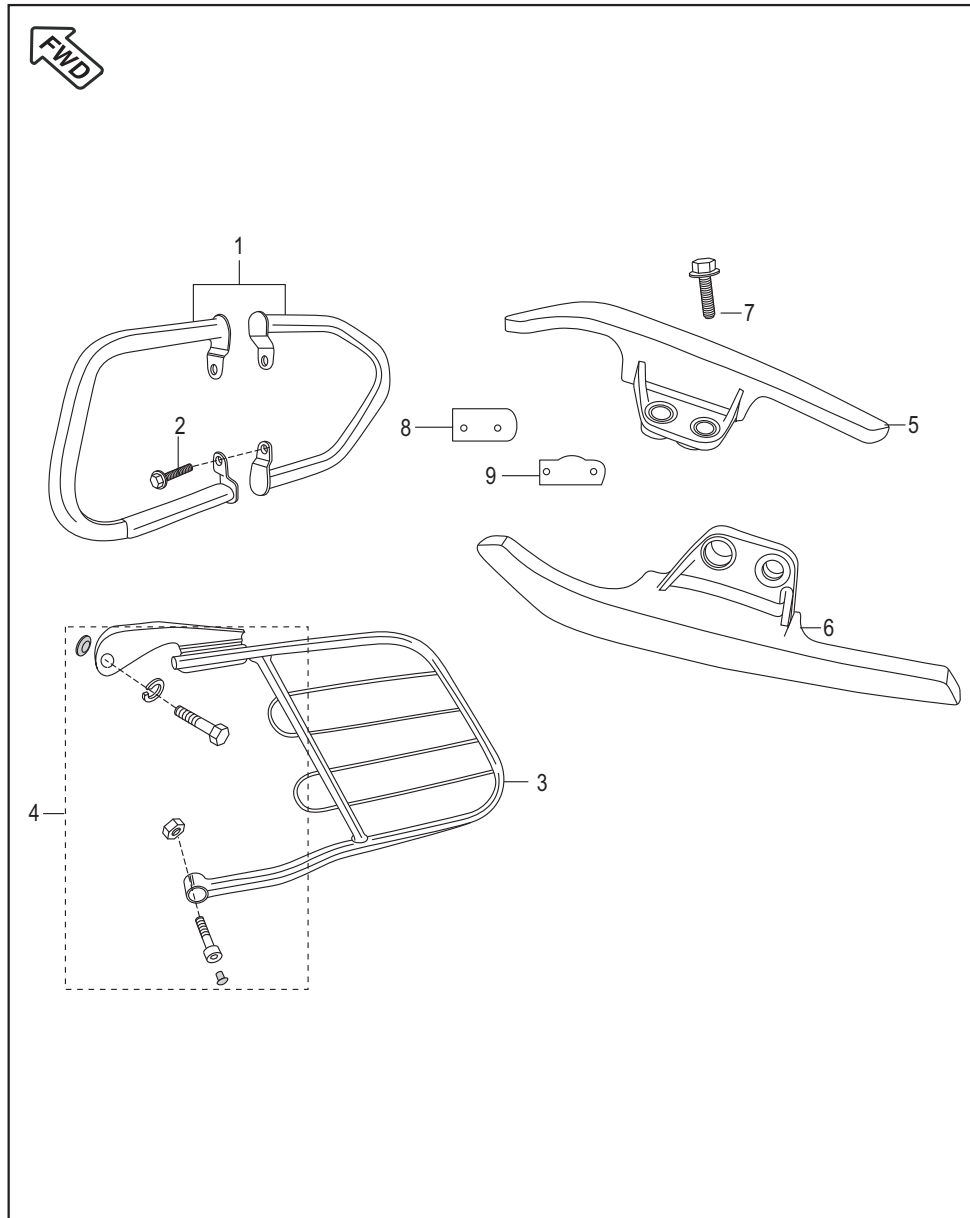
No.	Part No.	Description	Qty./Veh.	Remarks
1	DK 2010 37	Horn LH Dia 70	1	
2	DK 2010 38	Horn RH Dia 70	1	
3	39 1507 11	Plain Washer	1	
4	39 1956 04	Flange Bolt	1	
5	DJ 2011 26	Battery (12V-9A) mf Dry Charged	1	
6	DJ 1612 47	Band Battery	1	N.I.
7	DJ 2012 05	Wiring Harness	1	
8	JC 2010 04	Rear Brake Switch	1	
9	DJ 2010 20	Cable assly. (Battery to St.Relay)	1	
10	JC 2010 16	BCU	1	
11	AL 2010 12	Kill switch relay	1	
	DJ 2010 28	Relay (Interlocking)	1	Ref. Cir. C-19
12	39 1680 04	Flange bolt	1	
13	DK 2010 78	Starter Relay / Damper	1	
14	DJ 2011 40	Cable assly. (Battery to Earth)	1	
15	30 2011 04	Fuse box Assly.	1	
16	30 2010 85	Fuse	1	
17	JC 2010 27	Cable Assly. St. Motor to St. Relay	1	N.I.

Tool Kit



No.	Part No.	Description	Qty. /Veh.	Remarks
1	DK 2210 11	Tool Kit	1	
2	DK 2210 24	Band Tool Kit	2	

Accessories / Grab Handle



No.	Part No.	Description	Qty. /Veh.	Remarks
1	36 DK00 33	Kit Leg Guard	1	
2	39 2310 04	Flange bolt	4	
3	DK 1611 76	Sari Guard Assly.	1	
4	36 DK00 23	Kit hardware sari guard	1	
5	DK 1611 47	Grab handle LH	1	
6	DK 1611 48	Grab handle RH	1	
7	39 2310 04	Bolt Flange	4	
8	DJ 1610 79	Foam LH For grab	1	
9	DJ 1610 80	Foam RH For grab	1	