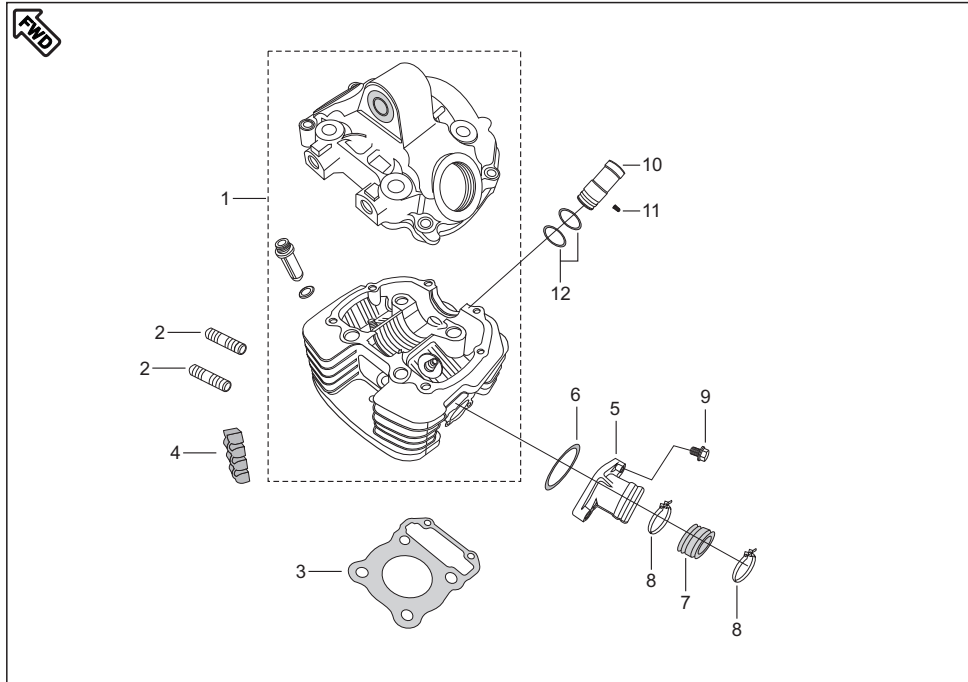
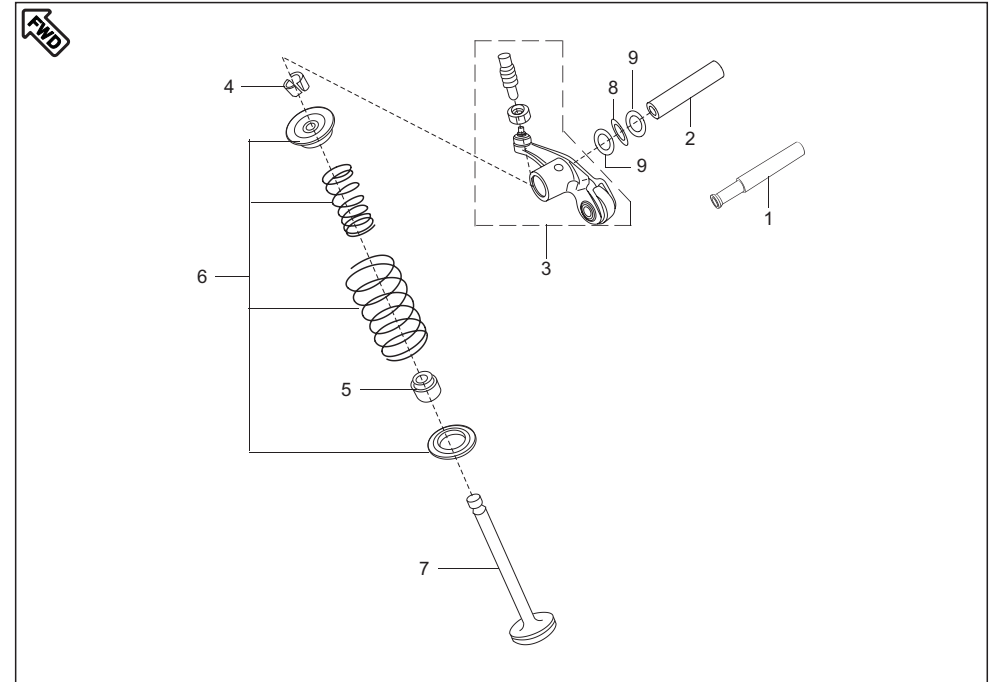


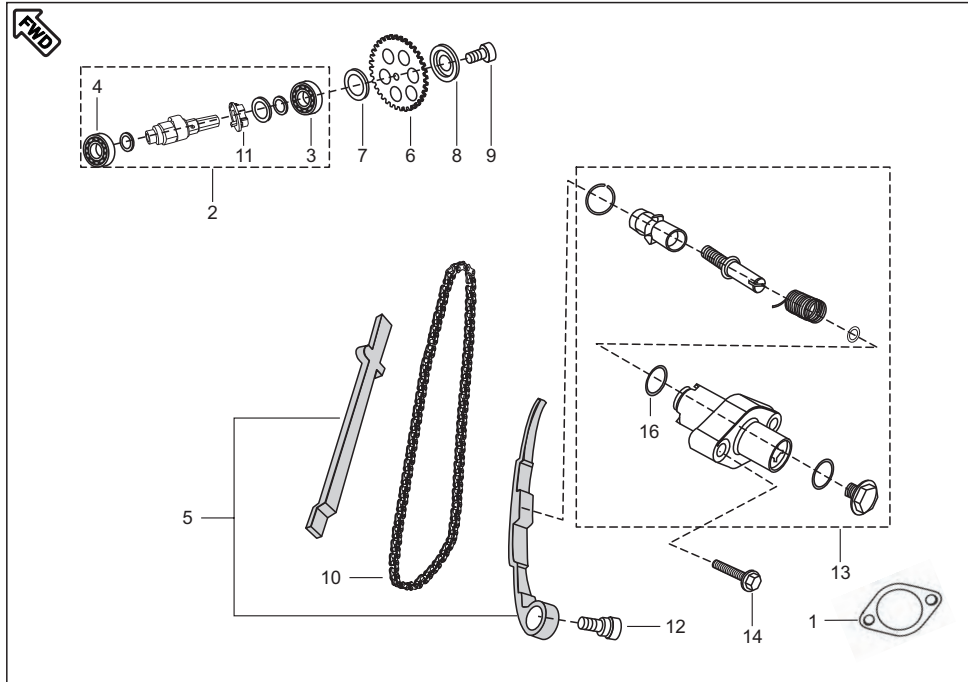
No.	Part No.	Description	Qty/ Veh.	Remarks
1	DJ 1012 69	Head Cylinder with Cover	1	
2	DJ 1012 17	Cover Tappet	2	
3	36 DS10 01	'O' Ring Kit for Cover Cyl. Head	1	Ref. Page No. 60
4	DS 1011 66	Silent Bush (V)	1	
5	DS 1010 96	Camshaft Cap	1	
6	39 2647 15	Dommed Cap Nut	4	
7	DS 1010 84	Copper Washer	4	
8	39 2532 04	Hex. Bolt with Flange	2	
9	39 1075 04	Hex. Bolt / Flange	4	
10	DH 1012 72	Plug	2	
11	DG 1014 98	Washer	2	Alt. 31101106



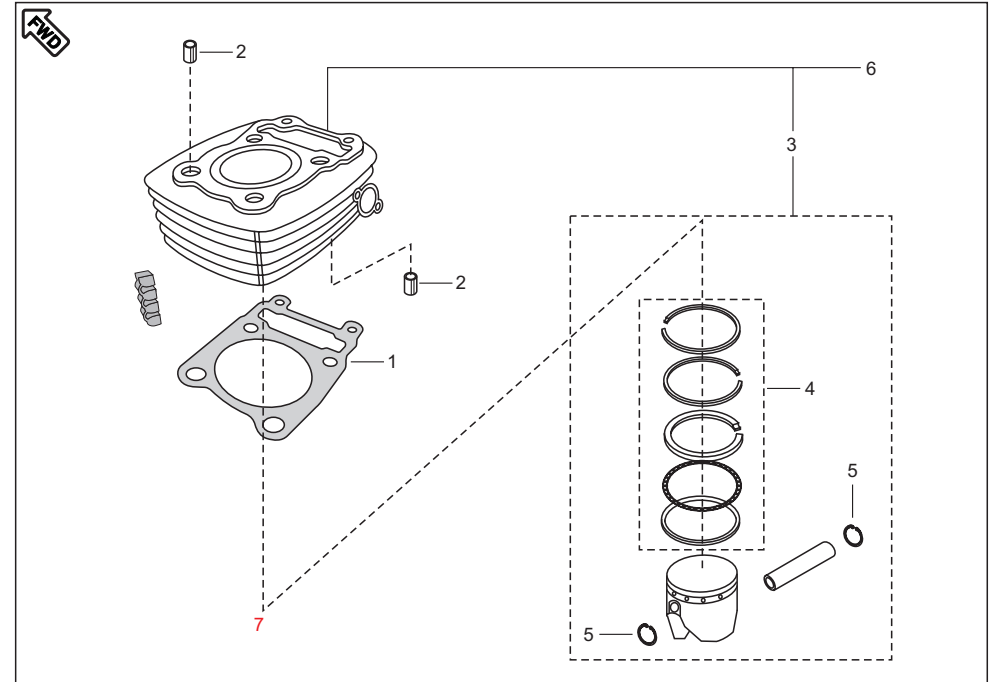
No.	Part No.	Description	Qty/ Veh.	Remarks
1	DJ 1012 69	Head Cylinder with Cover	1	
2	39 1660 05	Stud (Exhaust)	2	
3	DJ 1010 12	Gasket Cylinder Head	1	
4	DH 1015 08	Damper Cylinder Head	5	
5	DJ 1012 15	Intake Pipe	1	
6	39 2539 21	'O' Ring (Intake Pipe)	1	
7	DJ 1210 22	Carburettor Insulator	1	
8	DH 1210 38	Clamp for Insulator	2	
9	39 1674 04	Hex. Bolt / Flange	2	
10	DH 1110 12	Sleeve - Spark Plug	1	
11	39 2608 01	Grub Screw	1	For Sleeve Spark Plug
12	36 DS10 01	'O' Ring Kit for Cover Cyl. Head	1	Ref. Page No. 60



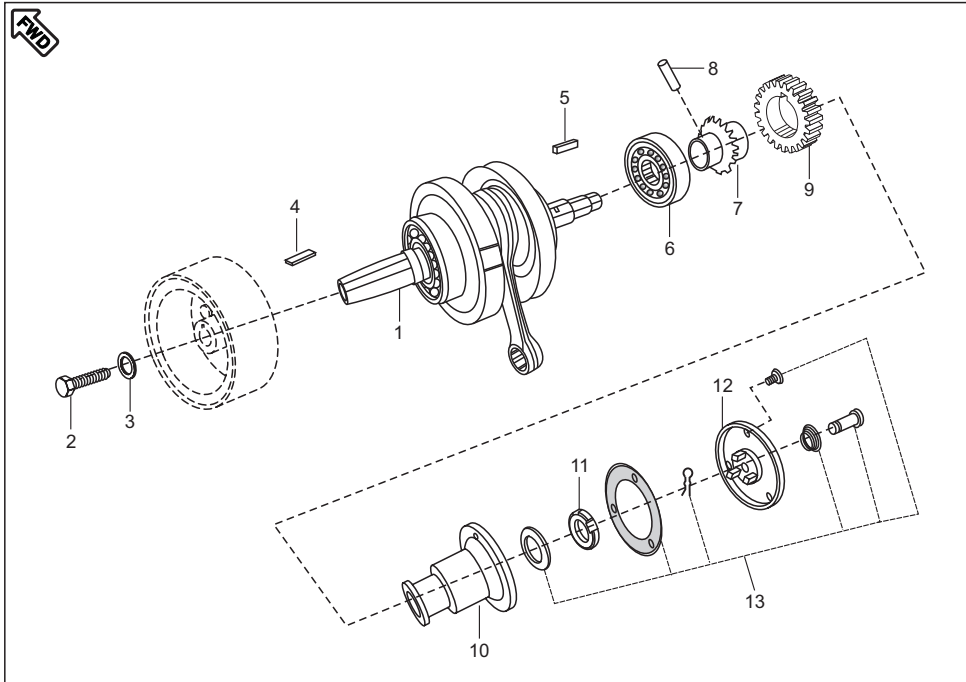
No.	Part No.	Description	Qty/ Veh.	Remarks
1	DS 1013 35	Rocker Arm Shaft - Intake	1	
2	DS 1013 36	Rocker Arm Shaft - Exhaust	1	
3	DS 1013 33	Rocker Arm with roller	2	
4	DG 1010 29	Cotter valve	4	
5	39 2017 19	Seal valve stem	2	
6	36 DK00 05	Valve Repair Kit	1	Ref. Page No. 60
7	36 DJ10 04	Valve Kit	1	Ref. Page No. 60
8	DS 1013 66	Wave washer	2	
9	59 1100 02	Plain washer	4	



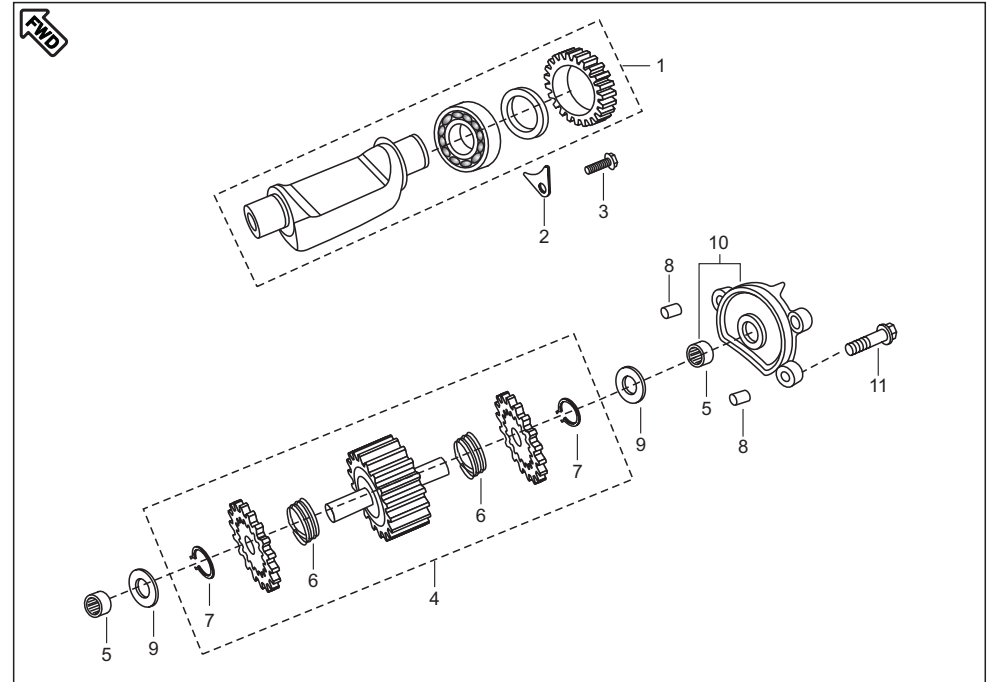
No.	Part No.	Description	Qty/ Veh.	Remarks
1	CS 1011 28	Gasket Tensioner	1	
2	DH 1017 03	Camshaft assembly	1	
3	39 2542 20	Bearing ball 15X42X13	1	
	JC 1010 86	Bearing ball 6302 RS1/C3H	1	
4	39 1880 20	Bearing ball 15x32x9 (6002-C3)	1	
	JC 1010 85	Bearing ball 6002/C3H	1	
5	36 DH10 03	Guide chain Kit	1	Ref. Page No.60
	JC 1010 38	Guide chain kit	1	From Oct07
6	DS 1012 76	Sprocket cam Driven	1	
7	DH 1014 12	Collar cam Sprocket	1	
8	DH 1010 48	Special camshaft washer	1	
9	39 2198 04	Hex. Soc. Head cap Bolt	1	
10	JC 1010 35	Cam Chain	1	
11	DJ 1011 37	Decomp Assly.	1	
12	DH 1010 11	Cam chain Tensioner pivot Bolt	1	
13	DS 1012 77	Tensioner assly.	1	
	JC 1010 34	Tensioner assly.	1	From. Oct07
14	39 1673 04	Hex Bolt / Flange	2	From 26Apr08 (C5)
15	39 1013 21	"O"Ring	1	From 26Apr08 (C5) N.I
16	39 2669 21	"O"Ring	1	



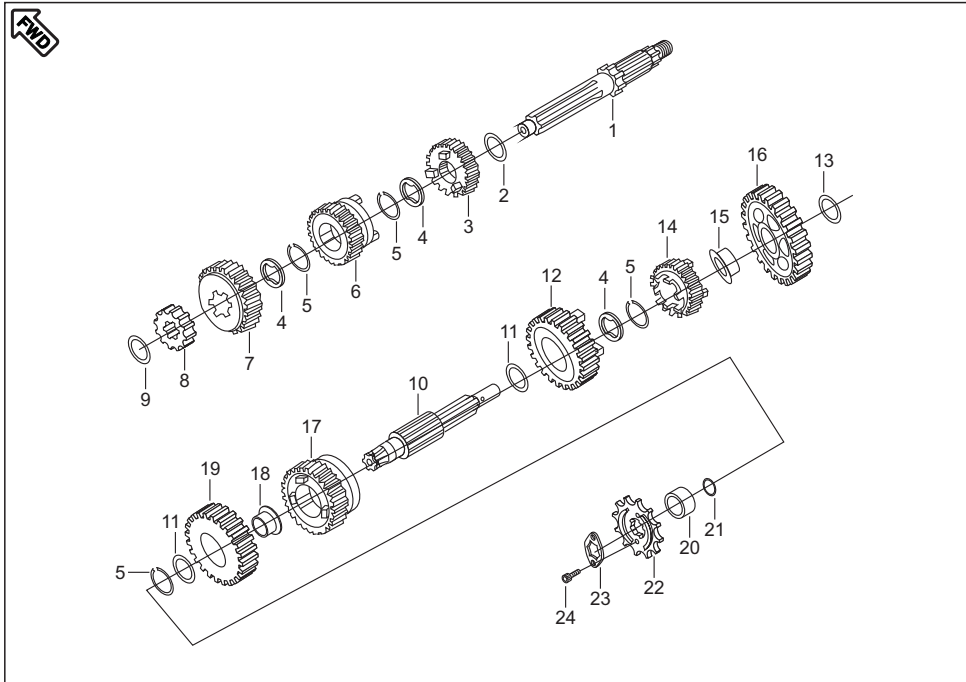
No.	Part No.	Description	Qty/ Veh.	Remarks
1	DJ 1010 04	Gasket Cylinder	1	
2	39 2181 06	Pin dowel	4	
3	DJ 1011 58	Piston Assly. Std.	1	
4	DJ 1011 06	Ring Set Piston	1	
5	39 2132 17	Ring Snap	2	
6	DJ 1013 27	Cylinder Block / Piston Assly.	1	From 26Apr08 (C5)
	DJ 1013 71	Cylinder Block / Piston Assly. (CLS)	1	From 13Feb09 (C13)



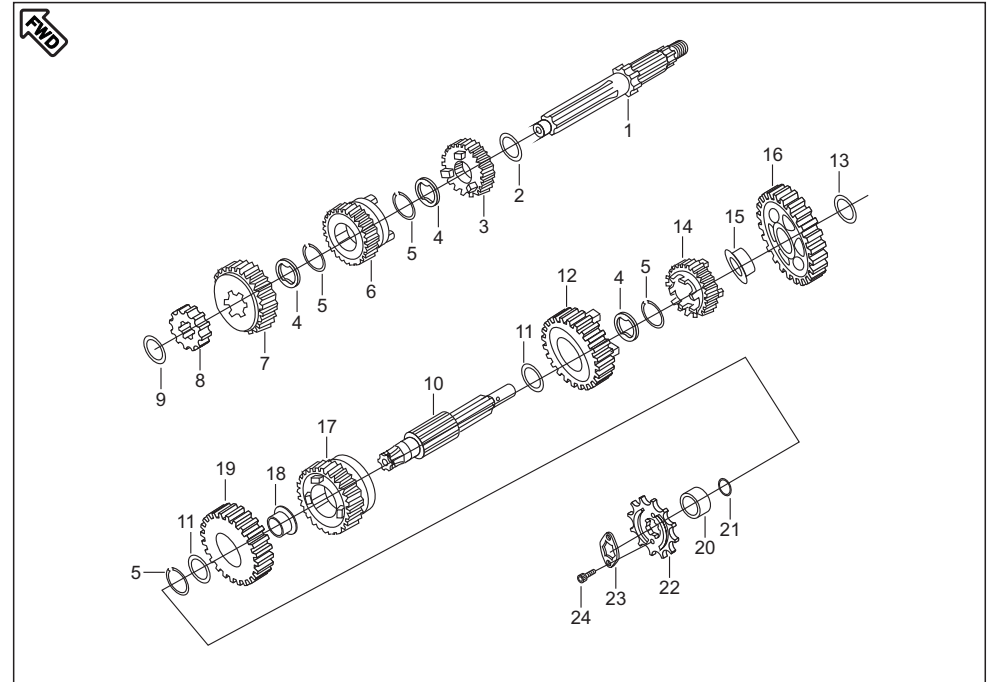
No.	Part No.	Description	Qty/ Veh.	Remarks
1	DJ 1012 23	Crankshaft assly. comp.	1	
2	39 2183 04	Bolt	1	
3	39 2165 11	Plain washer	1	
4	31 1011 73	Key woodruff	1	
5	DS 1011 54	Square Key	1	
6	39 1931 20	Bearing Ball	1	
7	DS 1012 75	Sprocket cam drive	1	
8	39 2203 07	Parallel pin	1	
9	36 DH40 06	Set primary driver & driven	1	
10	DH 1010 64	Body centrifugal oil filter	1	
11	DH 1011 95	Nut	1	7mm. (Height)
12	DH 1010 65	Cover centrifugal oil filter	1	
13	36 DK00 07	Kit centrifugal oil filter	1	Ref. Page No. 60



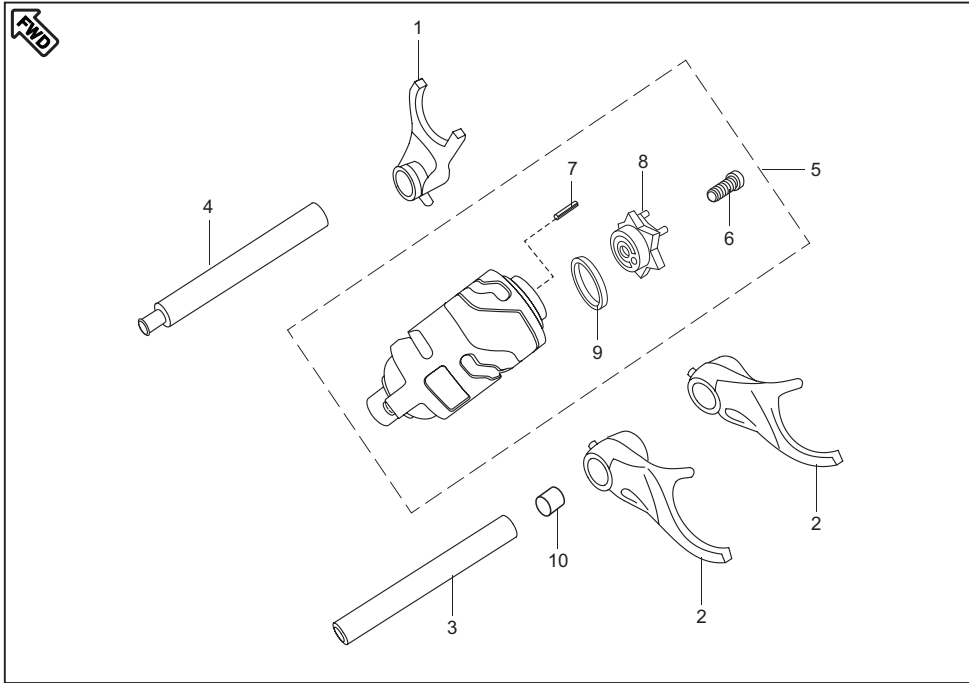
No.	Part No.	Description	Qty/ Veh.	Remarks
1	DJ 1010 22	Body Balancer Assly.	1	
2	DH 1010 72	Bearing stopper	1	
3	39 1672 04	Bolt	1	
4	DJ 1011 34	Assly. Balancer Idler Gear comp.	1	Alt. DH101432
5	39 2152 20	Needle roller bearing	2	
6	DJ 1011 33	Spring torsion Balancer Idler	2	
7	39 2557 17	Circlip ext.	2	
8	39 1686 06	Dowel Pin	2	
9	39 1620 11	Thrust washer	2	
10	52 DH01 77	Balancer Idler Holder	1	
11	39 1674 04	Bolt	3	



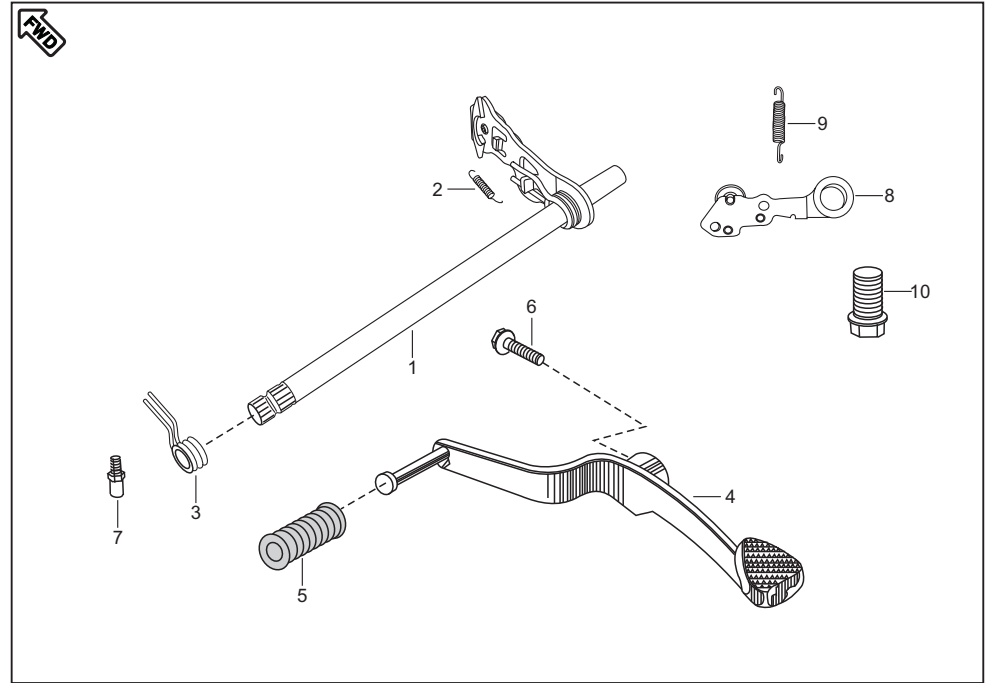
No.	Part No.	Description	Qty/ Veh.	Remarks
1	DK 1011 25	Shaft Input Transmission	1	From 13Feb09 (C13)
	DK 1014 71	Shaft Input Transmission (CLS)	1	
2	39 2158 11	Washer thrust	1	
3	DH 1010 78	Gear 4th Drive	1	
4	DH 1010 79	Washer Spline	3	
5	DH 1012 35	External Circlip	4	
6	DH 1010 80	Gear 3rd Drive	1	
7	DH 1010 82	Gear 5th drive	1	
8	DH 1010 84	Gear 2nd drive	1	
9	39 2160 11	Thrust washer	1	
10	DH 1014 16	Shaft output Transmission	1	
11	DH 1013 36	Washer Thrust	2	
12	DH 1011 08	Gear 3rd Driven	1	
13	39 2159 11	Thrust Washer	1	
14	DH 1011 10	Gear 4th Driven	1	
15	DH 1011 11	Bush 1st driven	1	



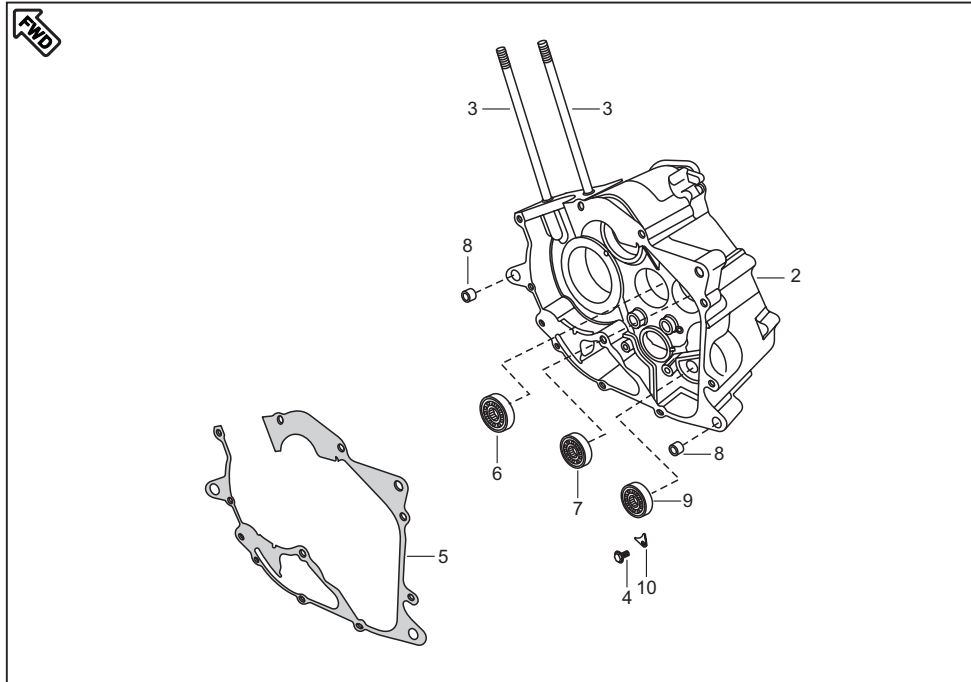
No.	Part No.	Description	Qty/ Veh.	Remarks
16	DJ 1011 10	Gear 1st driven	1	
17	DH 1011 13	Gear 5th Driven	1	
18	DH 1013 19	Bush 2nd driven	1	
19	DH 1013 33	Gear 2nd Driven	1	
20	DH 1011 16	Collar Sprocket	1	
21	30 1010 61	'O' Ring Sprocket Collar	1	
22	DH 1011 17	Sprocket Drive	1	
23	DJ 1010 63	Plate Drive Sprocket	1	
24	39 1062 04	Bolt Drive Sprocket	2	



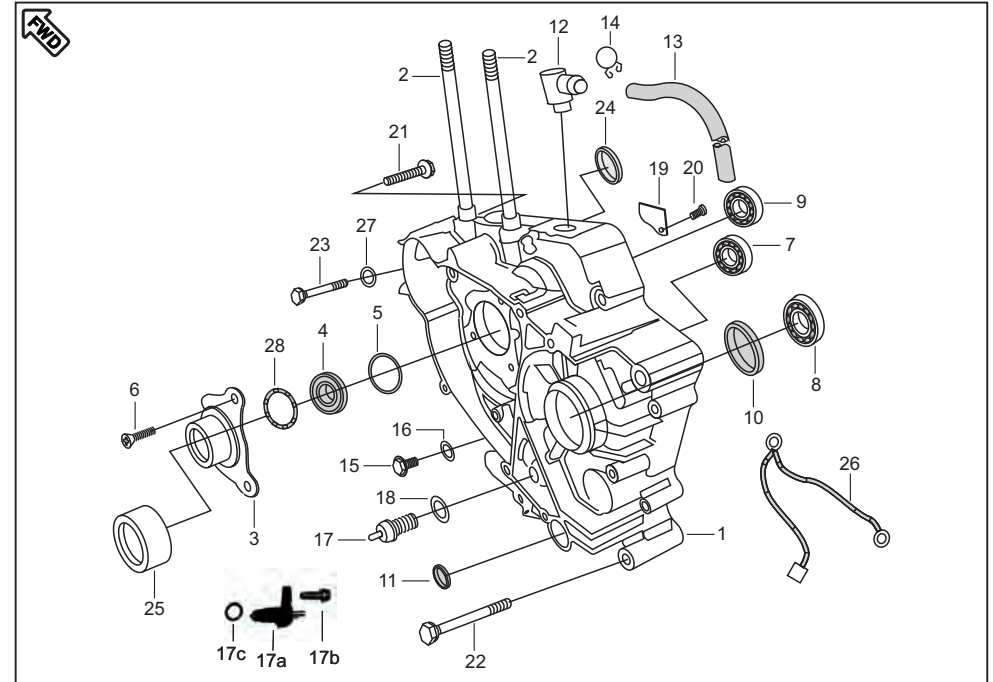
No.	Part No.	Description	Qty/ Veh.	Remarks
1	DK 1011 59	Fork Gear Shift Input	1	
2	DK 1011 60	Fork Gear Shift output	2	
3	DH 1011 46	Shaft Gear Shift Fork	1	
4	DH 1014 93	Shaft Gear Shift Fork	1	
5	DK 1013 82	Drum comp. Gear Shift	1	From 14Jul08 (C7)
6	39 2437 04	Bolt Socket	1	
7	39 2606 07	Parellel pin	1	
8	DK 1013 61	Guide Gear Shifter	1	w.e.f. Mar. 07
9	DH 1014 96	Spacer	1	
10	DK 1011 35	Bush fork gear shift	2	



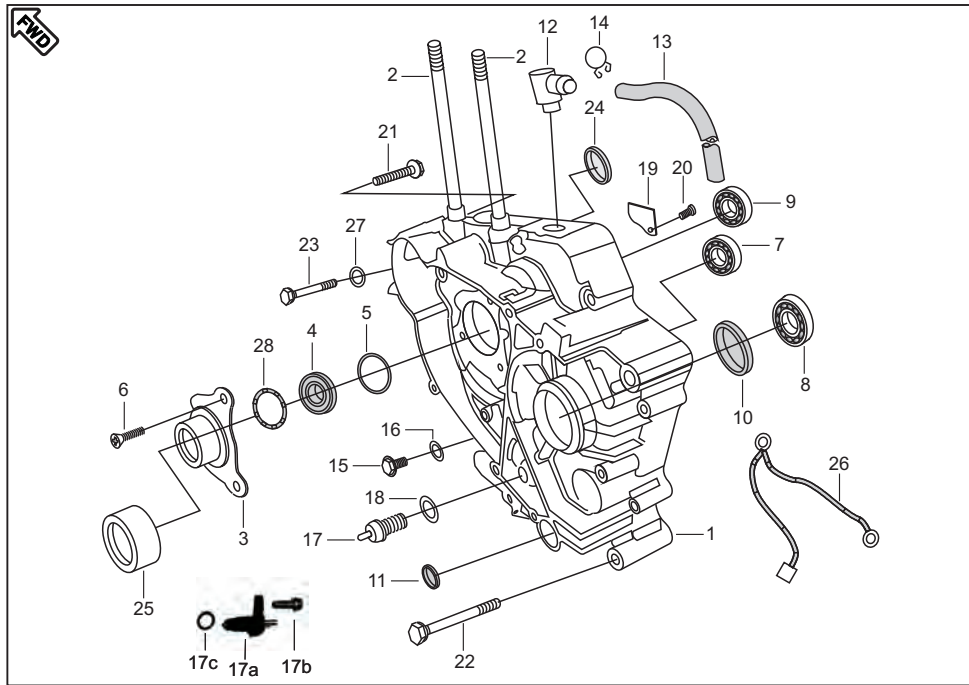
No.	Part No.	Description	Qty/ Veh.	Remarks
1	DH 1017 05	Lever comp. Gear Shifter	1	
2	DH 1017 14	Spring arm reset	1	Alt. DH101134
3	DH 1011 44	Spring Gear Shifter return	1	
4	DH 1011 65	Lever comp. change	1	Alt. DH101397
5	31 1011 08	Damper	1	
6	39 2453 04	Flanged Bolt	1	
7	DH 1012 25	Bolt Gear Shift drum Stopper	1	
8	DH 1015 03	Stopper gear shifter drum	1	
9	DH 1015 02	Spring gear shifter drum stopper	1	
10	DH 1010 13	Bolt shift change	1	



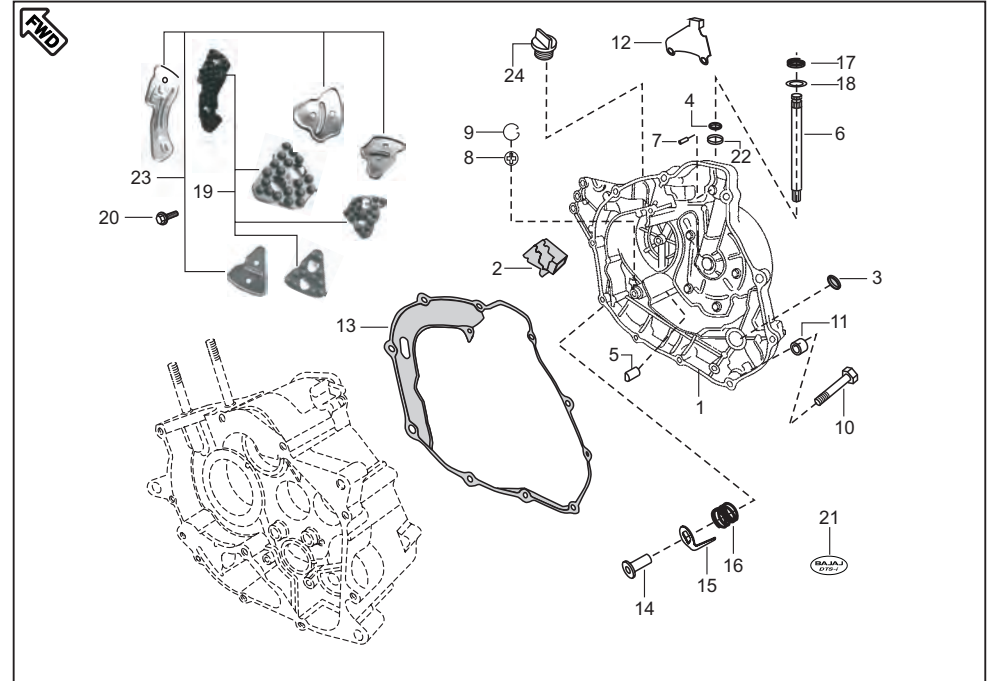
No.	Part No.	Description	Qty/ Veh.	Remarks
1	DJ 1012 31	Engine Assly.	1	N.I.
2	DJ 1012 13	Crankcase RH	1	
3	39 2531 05	Stud	2	
4	39 1074 04	Bolt Flanged	1	
5	DH 1010 06	Gasket Crankcase	1	
6	39 2583 20	Bearing Ball (For Input shaft)	1	
7	39 2602 20	Bearing Ball (For Output shaft)	1	
8	39 2180 06	Dowel Pin	2	
9	39 2601 20	Ball Bearing	1	(For Drum Comp. Gear Shift)
10	DH 1014 87	Plate Stopper	1	



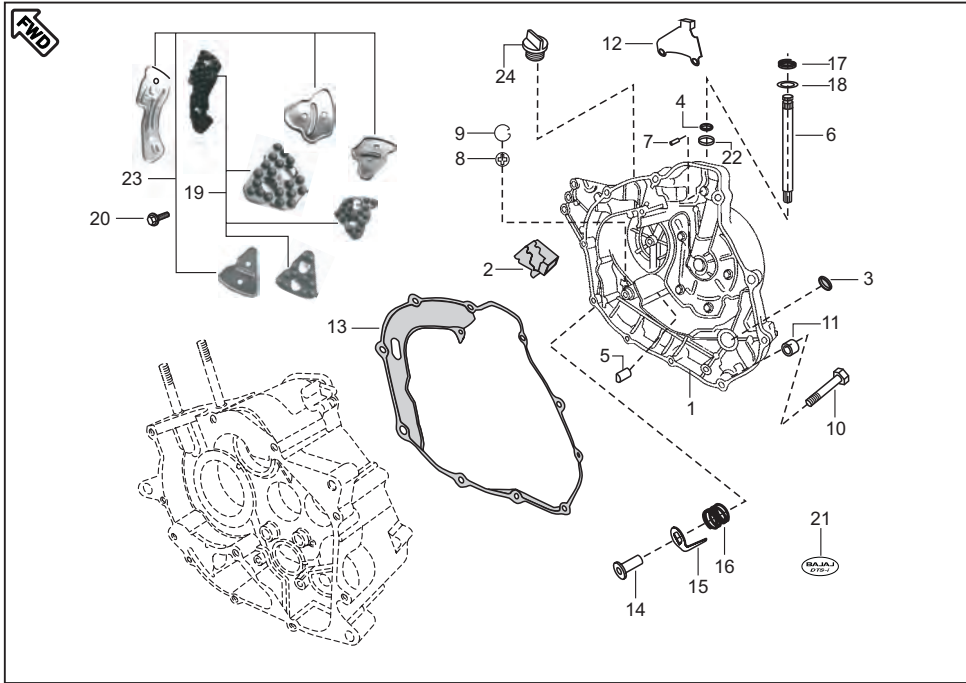
No.	Part No.	Description	Qty/ Veh.	Remarks
1	DJ 1013 20	Crankcase LH	1	plastic neutral switch
	DJ 1013 44	Crankcase LH (CLS)	1	From 13Feb09 (C13)
2	39 2531 05	Stud	2	
3	DH 1016 54	Guide starter Assly	1	
4	39 2188 19	Oil Seal	1	
5	DH 1014 23	O' Ring	1	
6	39 0752 01	C' Sunk Head Screw	3	
7	39 2603 20	Bearing Ball (For Input shaft)	1	
8	39 2583 20	Bearing Ball (For Output shaft)	1	
9	39 2185 20	Balancer LH Bearing	1	
10	39 2189 19	Oil Seal (For Output shaft)	1	
11	39 2190 19	Oil Seal (For Shift lever)	1	
12	DH 1012 03	Breather pipe	1	
13	DH 1012 46	Rubber tube	1	
14	28 1011 74	Spring Clip	1	
15	DH 1012 72	Plug (Drain Bolt)	1	



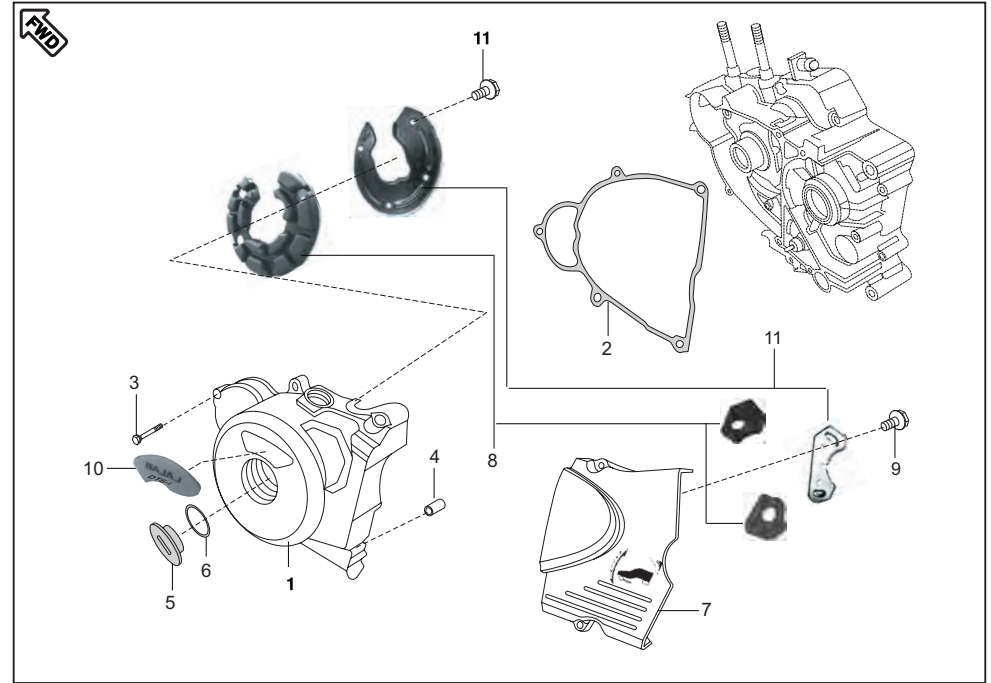
No.	Part No.	Description	Qty/ Veh.	Remarks
16	DG 1014 98	Gasket (For Drain Bolt)	1	Alt. 31101106
17	31 2010 81	Neutral switch	1	
17a	DK 1013 80	Neutral switch	1	From 14Jul08 (C7)
17b	DH 1013 85	Precoated Flanged bolt (M6x16)	1	17a part's
17c	39 1013 21	O ring	1	17a part's
18	DH 1012 64	Gasket Neutral Switch	1	
	DH 1017 84	Gasket Neutral Switch	1	From May 07 (deleted by 17a)
19	DH 1012 69	Baffle	1	
20	39 1414 02	Self tapping Screw	1	
21	39 1845 04	Flanged Bolt	1	
22	39 1677 04	Bolt	8	
23	39 2305 04	Bolt	1	
24	DH 1012 78	Plug Starter Motor	1	
25	59 2000 07	Needle bearing starter gear inner	1	
26	DJ 2010 21	Cable assly. (Battery to Earth)	1	
27	39 2448 11	Plain Washer	1	
28	DH 1014 22	Damper	1	



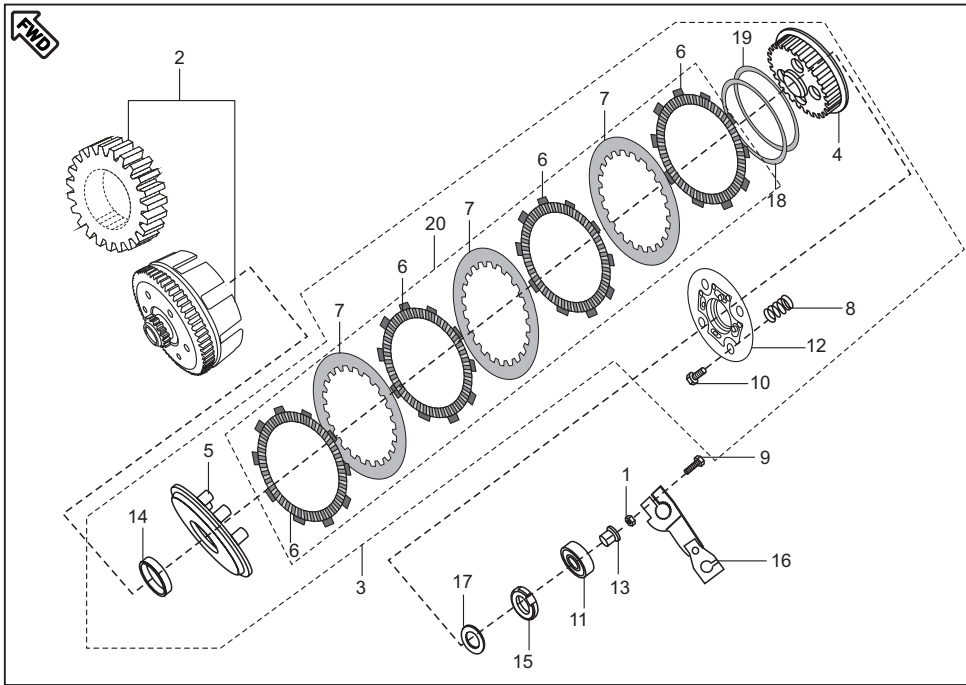
No.	Part No.	Description	Qty/ Veh.	Remarks
1	52 DJ01 96	Cover comp RH	1	
2	DH 1011 97	Grommet Breather	1	
3	30 1011 42	Seal kick Shaft	1	
4	39 1041 19	Seal clutch lever	1	
5	DH 1011 41	Rack	1	
6	DH 1011 42	Shaft clutch release	1	
7	39 2202 07	Parallel pin	1	
8	DG 1014 18	Gauge	1	
9	DS 1012 15	Wire circlip	1	
10	39 1074 04	Bolt	10	
11	39 0999 06	Pin Dowel	2	
12	DH 1010 18	Bracket Clutch Cable	1	
13	DH 1011 54	Gasket cover RH	1	
14	DH 1210 15	Plunger Oil	1	
15	DH 1210 11	Plate Plunger Oil	1	



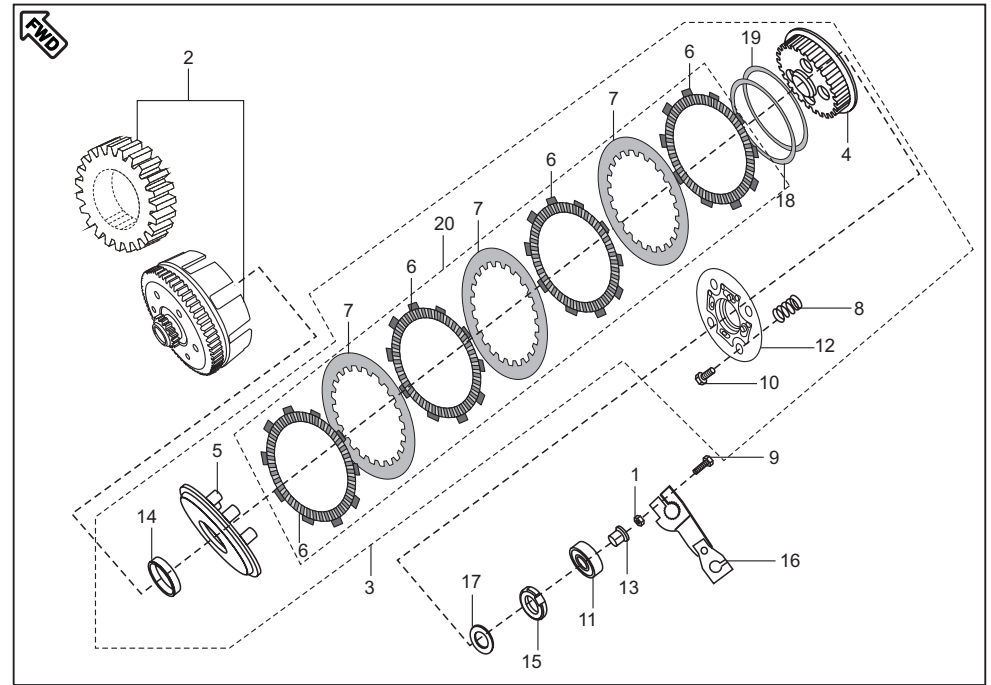
No.	Part No.	Description	Qty/ Veh.	Remarks
16	DH 1210 12	Spring Joint 'A'	1	
17	DH 1012 81	Spring torsion clutch lever	1	
18	39 2443 11	Washer	1	
19	36 DH10 04	Set damper	1	Ref. Page No. 60
20	39 2208 04	Flanged Bolt	8	
21	DS 1012 52	'Bajaj' Decal	1	Fitted on Cover comp.RH
22	DS 1012 01	Bushing	1	
23	36 DH10 05	Set of Plate	1	Ref. Page No. 60
24	DS 1012 63	Oil filler cap with "O" ring	1	



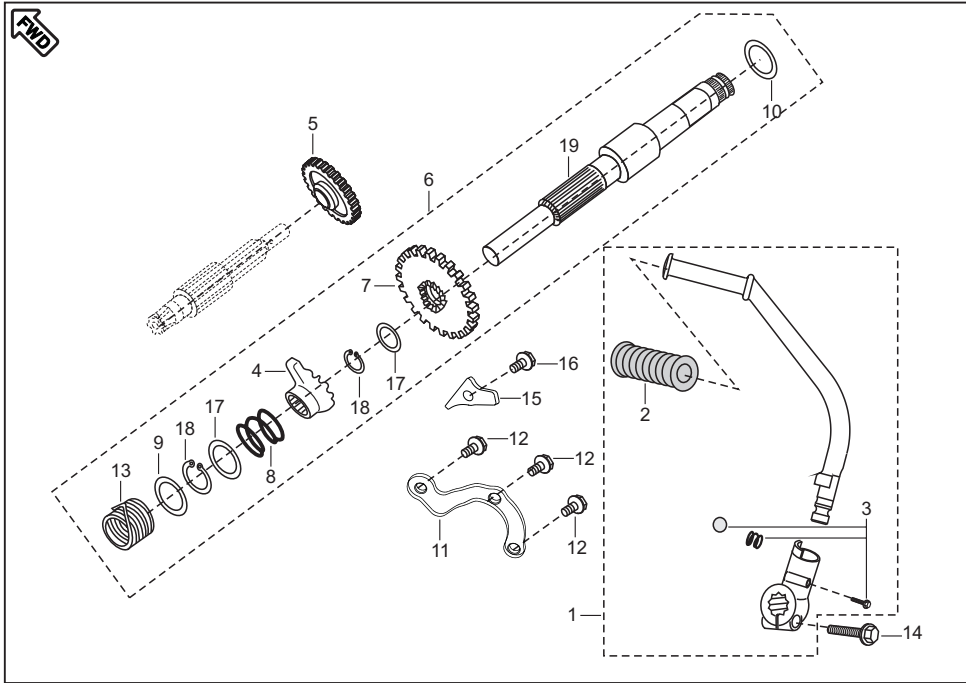
No.	Part No.	Description	Qty/ Veh.	Remarks
1	DJ 1012 09	Cover Magneto	1	
2	DV 1010 42	Gasket Magneto cover	1	From 14Jul08 (C7)
3	39 1074 04	Bolt	7	
4	39 0999 06	Pin Dowel	2	
5	DH 1011 57	Cap Crank Center	1	Alt. 39245221
6	39 1283 21	'O' Ring	1	Alt to 39 2452 21
7	DJ 1012 68	Cover LH RR with sticker	1	w.e.f. Feb. 07
8	36 DH10 06	Set Damper	1	Ref. Page No. 60
9	39 2208 04	Flanged Bolt	6	
10	DS 1012 53	'bajaj' Decal	1	Fitted on Cover magneto
11	36 DH10 07	Set of Plate	1	Ref. Page No. 60



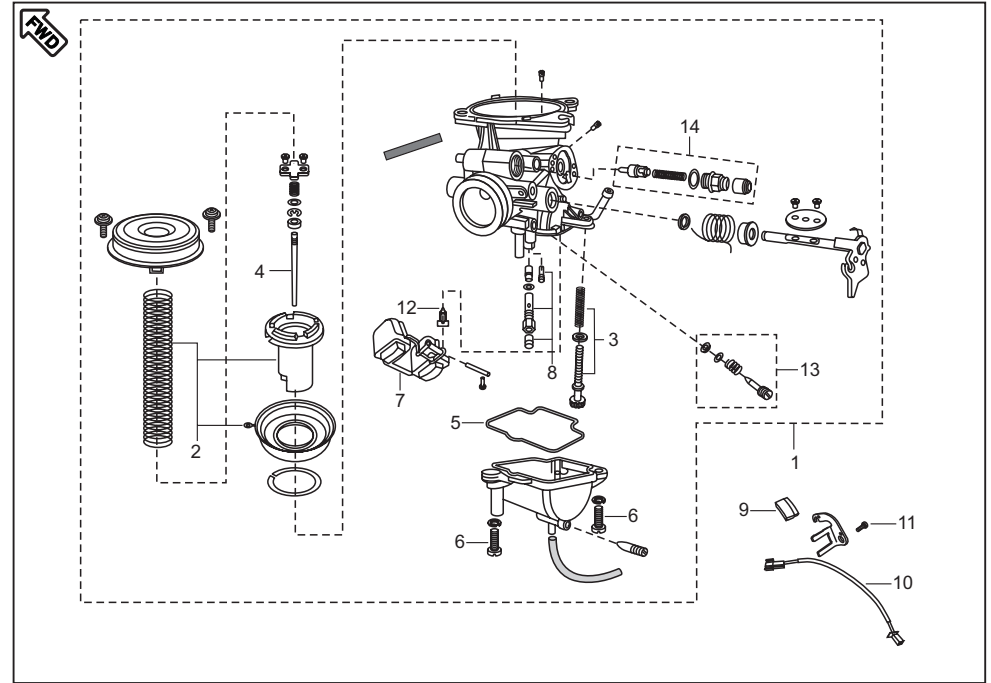
No.	Part No.	Description	Qty/ Veh.	Remarks
1	DH 1012 75	Special Nut	1	
2	36 DH40 06	Set primary driver & driven	1	1
3	DJ 1012 75	Clutch Plate Assly	1	
	DJ 1013 50	Clutch Plate Assly (CLS)	1	
4	DK 1010 01	Clutch Center	1	
	DK 1015 64	Clutch Center (CLS)	1	From 13Feb09 (C13)
5	DK 1011 63	Plate Clutch pressure	1	
	DK 1015 69	Plate Clutch pressure (CLS)	1	From 13Feb09 (C13)
6	DK 1011 49	Disc Clutch friction	5	
	DK 1011 50	Disc Clutch friction 'B' type	1	
	DK 1015 68	Disc Clutch friction 'B' type (CLS)	1	From 13Feb09 (C13)
	DK 1012 55	Disc Clutch friction 'C' type	1	
	DK 1015 67	Disc Clutch friction 'C' type (CLS)	1	From 13Feb09 (C13)
7	DK 1011 51	Plate Clutch	4	
	DK 1015 65	Plate Clutch (CLS)	4	From 13Feb09 (C13)
8	DH 1017 43	Spring Clutch	4	
	DH 1018 61	Spring Clutch (CLS)	5	From 13Feb09 (C13)
9	39 1674 04	Bolt	1	
10	DK 1011 54	Bolt	4	



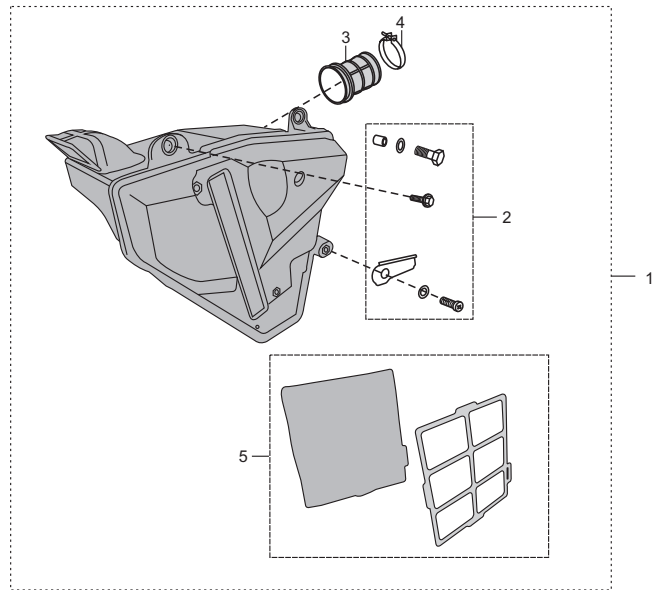
No.	Part No.	Description	Qty/ Veh.	Remarks
11	39 1880 20	Bearing Clutch lifter thrust	1	
12	DK 1013 38	Holder Clutch	1	
	DK 1015 73	Holder Clutch (CLS)	1	From 13Feb09 (C13)
13	DH 1014 85	Rod Clutch lifter	1	
14	DK 1011 26	Spacer clutch	1	
15	DH 1015 20	Nut Primary drive lock	1	LH Thread
16	DH 1011 80	Lever Assly. Clutch	1	
17	39 2200 11	Washer Primary Drive Gear	1	
18	DK 1011 53	Seat Judder Spring	1	
	DK 1015 70	Seat Judder Spring (CLS)	1	From 13Feb09 (C13)
19	DK 1011 55	Spring Judder	1	
	DK 1015 71	Spring Judder (CLS)	1	From 13Feb09 (C13)
20	DK 1013 56	Friction clutch plate kit	1	
	DJ 1013 69	Friction clutch plate kit (CLS)	1	From 13Feb09 (C13)
21	DK 1015 74	Bolt (CLS)	5	From 13Feb09 (C13) N.I.



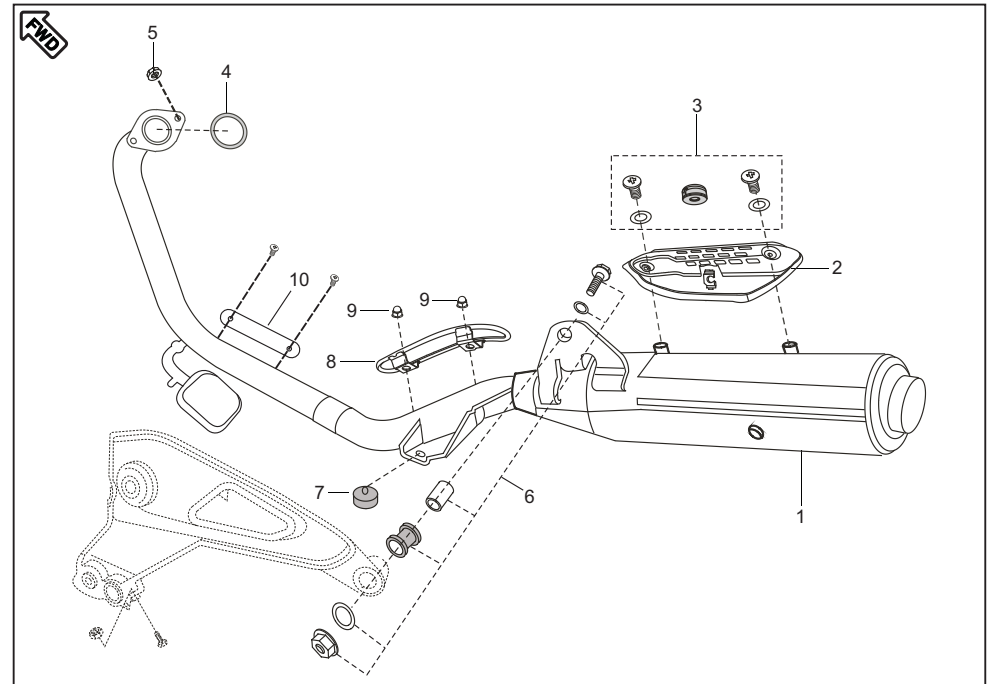
No.	Part No.	Description	Qty/ Veh.	Remarks
1	DH 1015 45	Lever Kick Starter complete	1	Ref. Page No. 60
2	DD 1010 97	Damper	1	
3	36 DH10 08	Boss Kick set	1	
4	DH 1015 37	Ratchet Kick Starter	1	
5	DH 1015 31	Gear Kick Idler	1	
6	DH 1015 40	Spindle Kick Starter Assly	1	
7	DH 1015 72	Pinion Kick Starter	1	
8	DH 1011 21	Spring for Kick Starter Ratchet	1	
9	39 0993 11	Washer Thrust	1	
10	39 2344 11	Plain Washer	1	
11	DH 1015 36	Guide Kick	1	
12	DH 1015 48	Bolt Flanged	3	
13	DH 1011 25	Spring Kick Starter Return	1	
14	DH 1013 21	Bolt flange	1	
15	DH 1015 38	Stopper	1	
16	39 1672 04	Bolt Flanged	1	
17	39 2276 11	Washer	2	
18	39 0738 17	Circlip	2	
19	DH 1015 39	Spindle kick shaft	1	



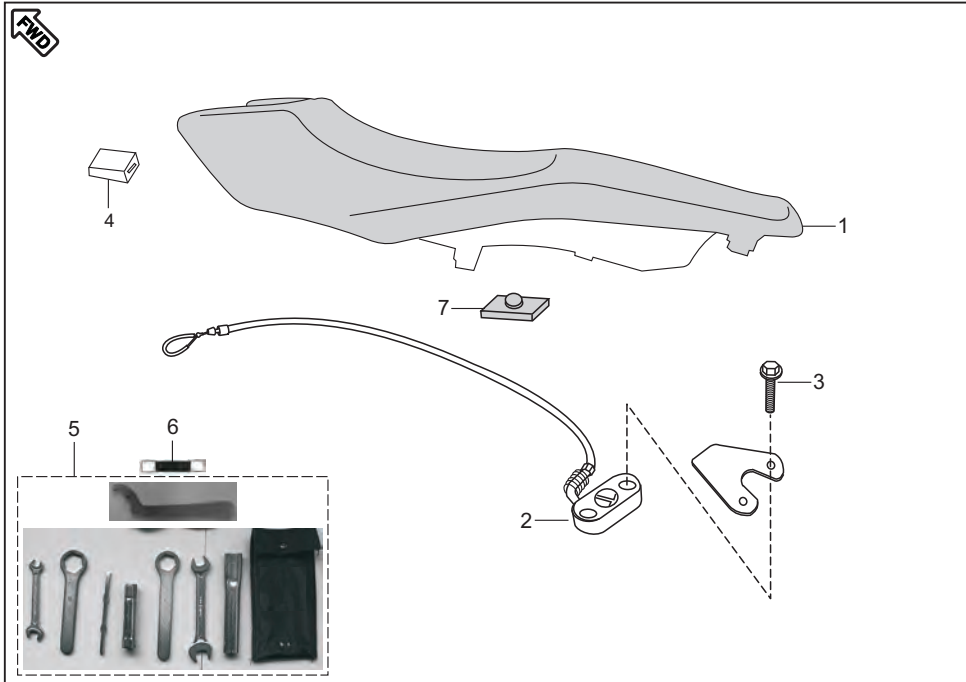
No.	Part No.	Description	Qty/ Veh.	Remarks
1	DJ 1012 32	Carburettor Assly.	1	
2	DJ 1210 51	Vaccum Piston Kit	1	
3	DJ 1210 52	Idling Screw Kit	1	
4	DJ 1210 44	Jet needle(JN)	1	
5	DJ 1210 53	"O" ring	1	
6	DJ 1210 54	Screw	2	
7	DJ 1210 55	Float assly.	1	
8	DJ 1210 56	Jet Holder Kit	1	
9	DH 1211 01	Magnet Assly.	1	
10	DH 1211 02	Reed Switch Assly.	1	
11	39 0840 01	Pan Head Screw	2	
12	DJ 1210 57	Needle Assly.	1	
13	DJ 1210 58	Set Adjuster(PS)	1	
14	DJ 1210 59	Set Plunger assly.	1	



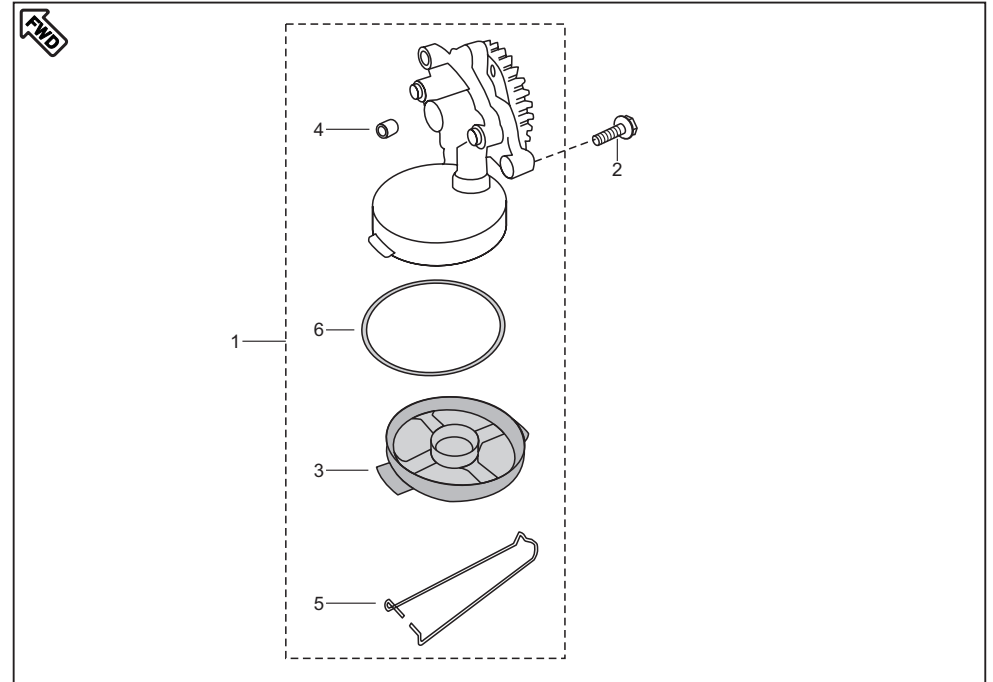
No.	Part No.	Description	Qty/ Veh.	Remarks
1	DJ 1210 40	Air Cleaner comp	1	
2	36 DK00 08	Kit hardware air cleaner	1	Ref. Page No. 60
3	DJ 1210 39	ConKinecting Tube	1	
4	AA 1210 71	Clamp	1	Alt. AA121045
5	36 DK00 15	Kit element air filter	1	(Fine & Coarse) Ref. page no. 61



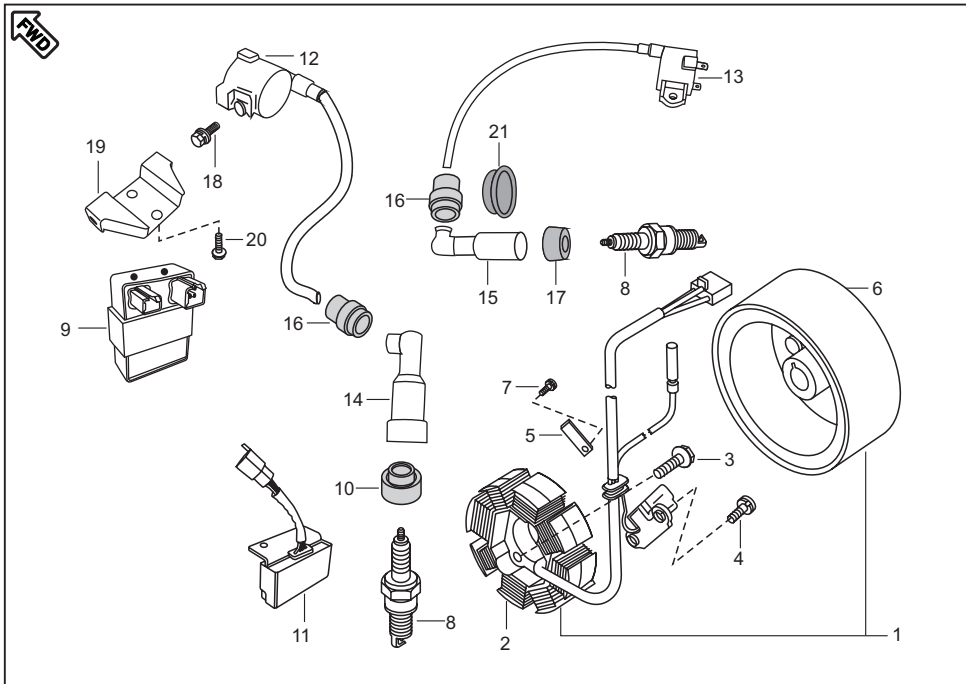
No.	Part No.	Description	Qty/ Veh.	Remarks
1	DJ 1011 61	Silencer Assly. with CAT converter	1	From 15/01/2007
2	DH 1014 68	Shield Muffler (Chrome)	1	
	DH 1018 03	Shield Muffler (Silver)	1	From 14Jun08 (F2)
3	36 DK00 10	Kit hardware shield	1	Ref. Page No. 61
4	DJ 1010 64	Gasket Exhaust	1	
5	39 1970 15	Flanged Nut	2	
6	36 DK00 09	Kit hardware silencer	1	Ref. Page No. 61
7	DG 1611 24	Damper (Main Stand)	1	
8	DH 1015 21	Wire Shield Assly (Chrome)	1	
	DH 1018 05	Wire Shield Assly (Silver)	1	
9	DH 1015 25	Dommed Cap Nut	2	
10	DH 1017 59	Shield Exhaust Tube (Chrome)	1	From 14Jun08 (F2)
	DH 1018 04	Shield Exhaust Tube (Silver)		



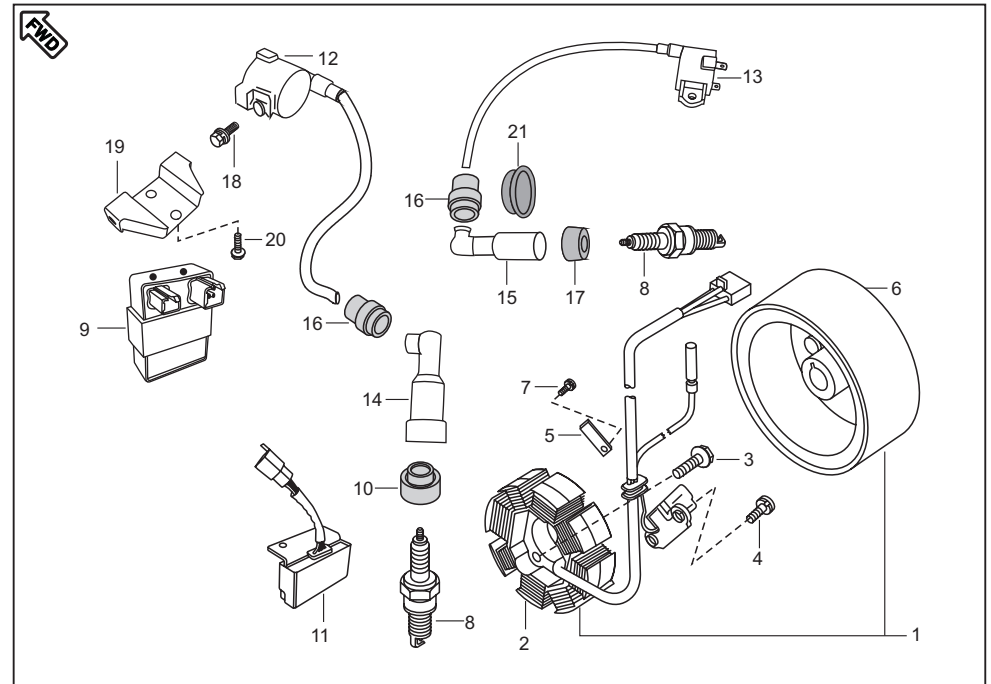
No.	Part No.	Description	Qty/ Veh.	Remarks
1	DJ 2110 03	Seat Assly comp	1	
2	DJ 2110 06	Lock Assly seat	1	
3	39 1902 04	Flanged bolt	2	
4	DK 2110 07	Damper at a seat front	3	From 18Jun08 (C3)
5	DH 2210 06	Tool Kit	1	
6	DH 2110 05	Band Tool Kit	2	
7	DJ 2110 07	Seat damper	9	



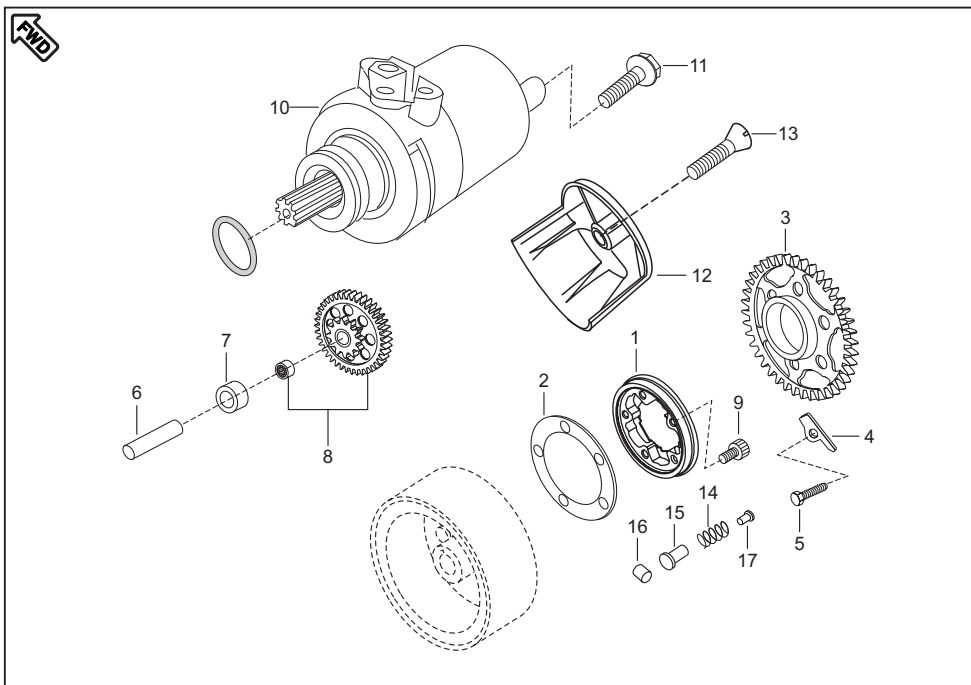
No.	Part No.	Description	Qty/ Veh.	Remarks
1	DH 1210 01	Oil Pump Assly	1	Alt. 52DH0169
2	39 1674 04	Hex. Bolt with flange	3	
3	DH 1210 10	Mesh filter Oil pump	1	
4	39 1686 06	Hollow dowel pin	1	
5	DH 1210 35	Clip Mesh Oil filter	1	
6	39 2194 21	'O' Ring	1	



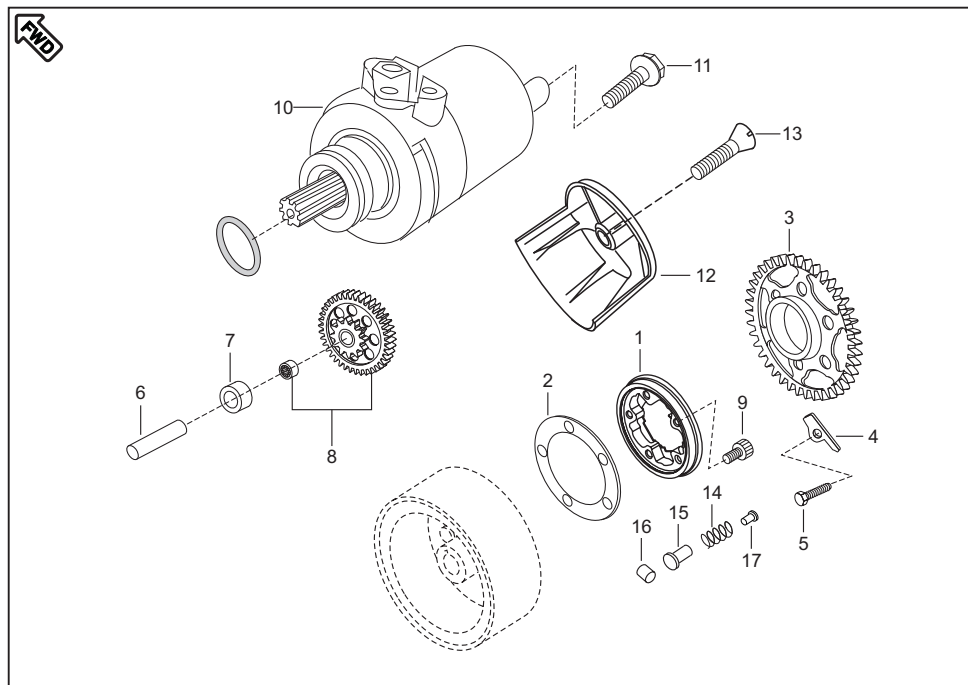
No.	Part No.	Description	Qty/ Veh.	Remarks
1	DJ 1110 93	Magneto Assly.	1	From 26Dec08 (C11)
2	DJ 1110 94	Stator Assly. comp	1	From 26Dec08 (C11)
3	39 1674 04	Hex. Bolt with Flange	2	
4	JM 1000 45	Bolt flange (M6x28)	2	From 26Dec08 (C11)
5	39 0761 01	Pan Head Screw	2	
6	DH 1011 99	Stopper plate (wiring harness)	1	
7	DJ 1110 61	Rotor Assly.	1	w.e.f. July 07
8	39 0746 01	Screw Pan head	1	
9	DG 1110 08	Spark plug	2	
10	DJ 1110 23	C.D.I. Assly.	1	
11	DD 1110 11	Grommet Spark Plug	1	



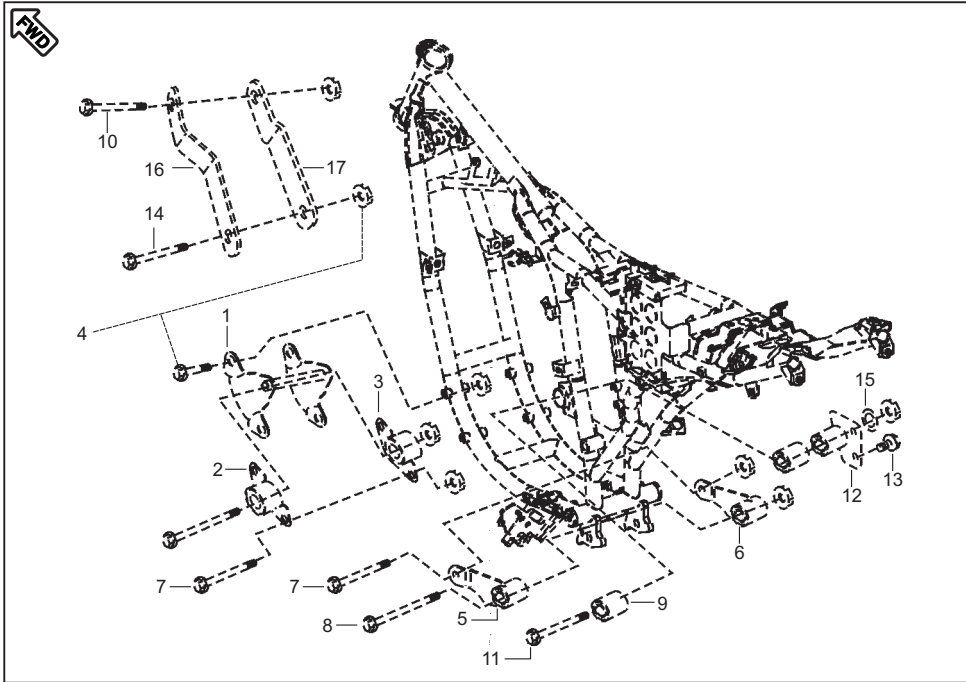
No.	Part No.	Description	Qty/ Veh.	Remarks
11	DJ 2011 02	AC/DC Regulator (Green)	1	
12	DJ 2011 64	AC/DC Regulator (Brown)	1	From 18Jun08 (C3&C6)
13	DH 1110 39	H.T. Coil LH	1	
14	DH 1110 40	H.T. Coil RH	1	
15	DD 1110 48	Cap Spark Plug	1	
16	DD 1110 15	Cap Spark Plug	1	
17	DD 1110 12	Grommet H.T. Cable	2	
18	DH 1110 13	Grommet Spark Plug	1	
19	39 1902 04	Flange Bolt	2	
20	DJ 1610 67	Bracket H.T. Coil	1	
21	39 1680 04	Flange Bolt	2	
22	DH 1110 16	Grommet Sleeve Spark Plug	1	
23	30 2010 64	Band	1	N.I. From 8Aug07 (C1)



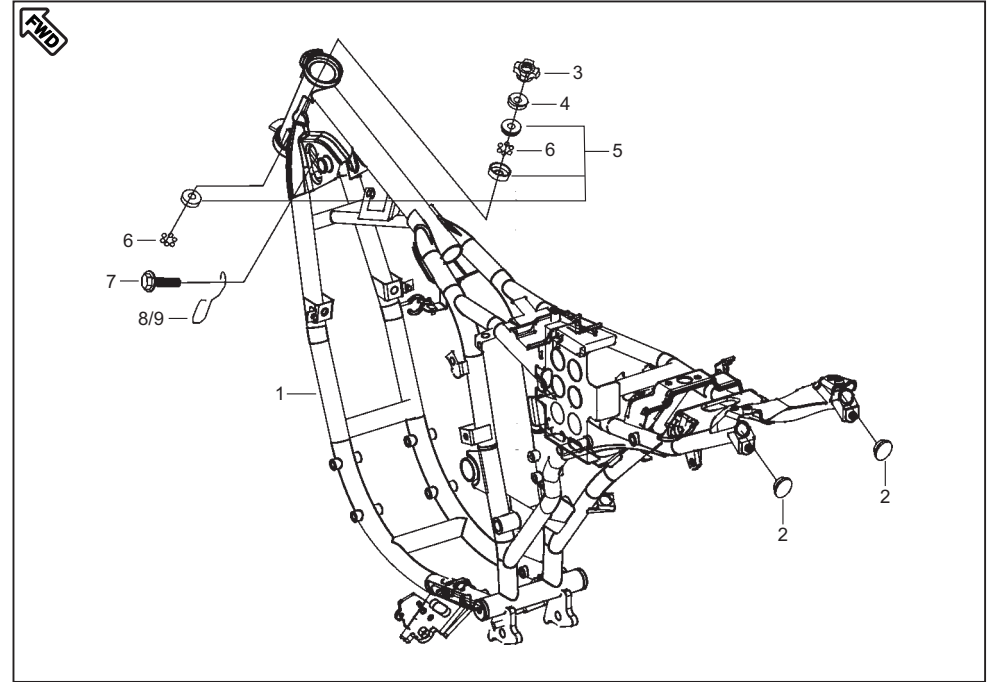
No.	Part No.	Description	Qty/ Veh.	Remarks
1	DH 1017 82	Body comp. starter clutch	1	
2	DH 1017 81	Plate roller clutch	1	
3	DH 1016 58	Gear starter clutch	1	
4	DH 1015 81	Plate starter clutch gear return	1	
5	39 1672 04	Bolt	1	For stopper plate
6	DK 1011 76	Shaft starter counter	1	
7	DH 1011 72	Collar starter counter	1	
8	DH 1011 88	Gear comp. starter counter assly.	1	
9	39 2437 04	Bolt socket	3	
10	DH 1110 58	Motor assly. starter (varroc)	1	
	DJ 1110 63	Motor assly. starter (flash)	1	
11	39 1074 04	Bolt	2	
12	DH 1013 72	Cover starter motor	1	Alt. DH101184
13	39 2285 01	Slotted c'sunk screw	1	
14	DH 1011 64	Spring	5	
15	DJ 1011 09	Bush For Spring Starter	5	



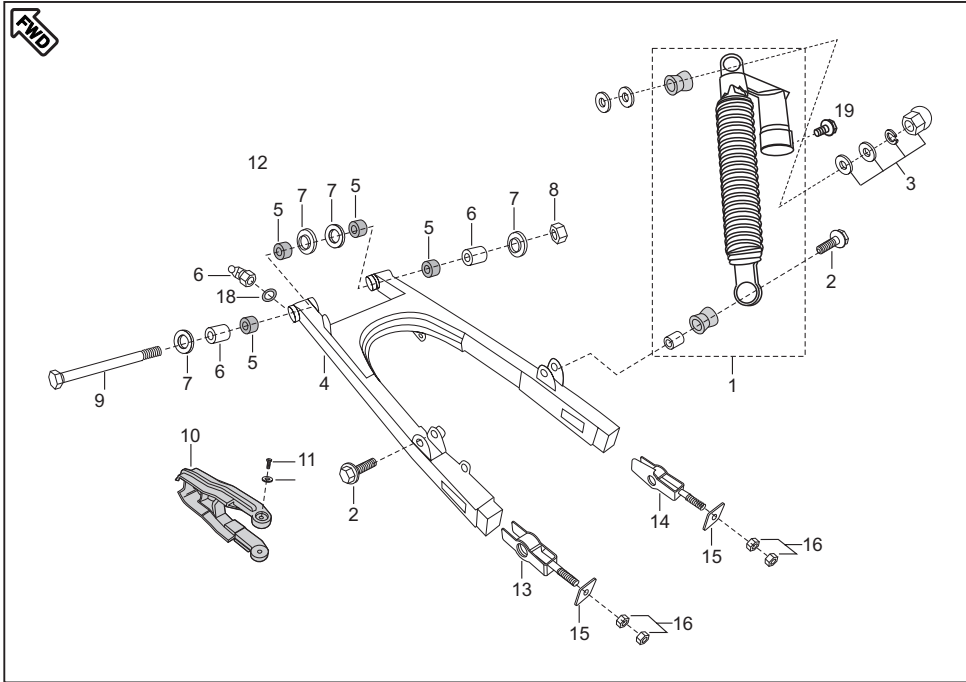
No.	Part No.	Description	Qty/ Veh.	Remarks
16	DH 1011 63	Roller	5	
17	DH 1015 33	Bush Spring Starter Clutch	5	
18	DK 1110 19	'O' Ring spigot (varroc)	1	From 2Dec08 (F7) N.I.
19	DJ 1110 71	'O' Ring kit (varroc)	1	From 2Dec08 (F7) N.I.
20	DJ 1110 70	Bush assly kit (varroc)	1	From 2Dec08 (F7) N.I.
21	DS 1110 40	Carbon bush holder plate (varroc)	1	From 2Dec08 (F7) N.I.
22	DJ 1110 87	'O' Ring spigot (flash)	1	From 2Dec08 (F7) N.I.
23	DJ 1110 88	'O' Ring kit (flash)	1	From 2Dec08 (F7) N.I.
24	DJ 1110 90	Bush holder assly (+) (flash)	1	From 2Dec08 (F7) N.I.
25	DJ 1110 86	Bush holder assly (-) (flash)	1	From 2Dec08 (F7) N.I.



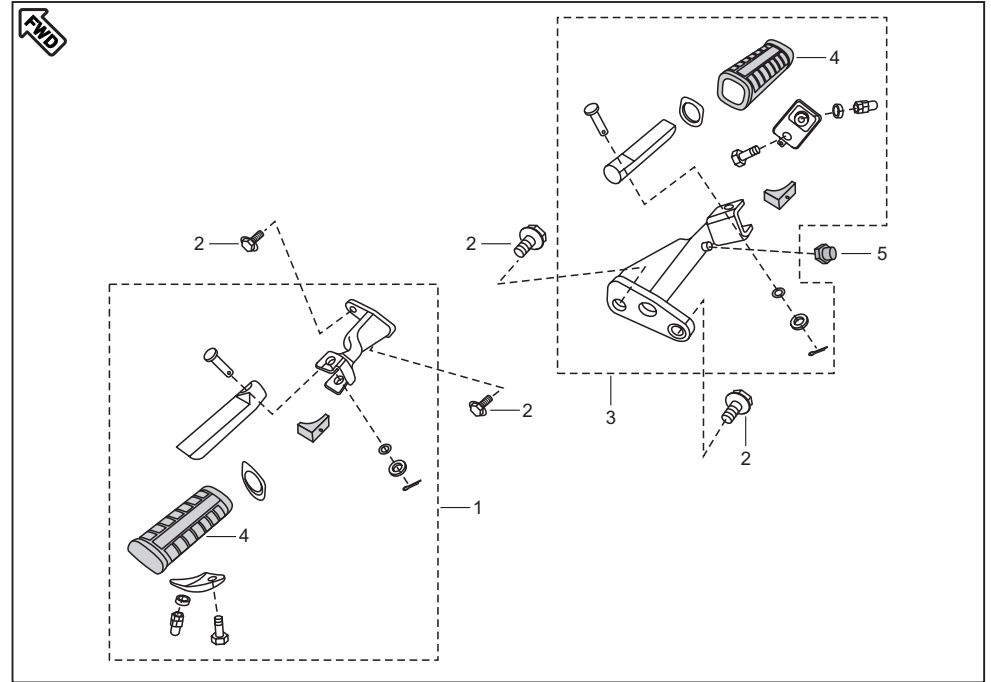
No.	Part No.	Description	Qty/ Veh.	Remarks
1	DH 1611 70	Bkt. Assly.eng.mtg.front	1	
2	DH 1611 89	Bkt. comp. LH eng. mtg. front	1	
3	DH 1611 90	Bkt. comp. RH eng. mtg. front	1	
4	36 DK00 11	Kit hardware eng. mounting	1	Ref. Page No. 61
5	DJ 1611 14	Bkt. comp. LH eng. mtg. lower	1	
6	DJ 1611 15	Bkt. comp. RH eng. mtg. lower	1	
7	39 2157 04	Bolt Flanged	3	
8	39 2412 04	Bolt Flanged	1	Alt. 39 2311 04
9	DH 1612 73	Bush in frame	1	
10	39 1967 04	Bolt	1	
11	39 2414 04	Hex. soc. hd. cap bolt	1	
12	DH 1613 01	Bkt. comp. RH eng. rear	1	
13	39 2310 04	Flanged bolt	2	
14	39 2311 04	Bolt	1	
15	39 2457 11	Washer	1	
16	DJ 1610 88	Bracket LH Engine Hanger	1	
17	DJ 1610 89	Bracket RH Engine Hanger	1	



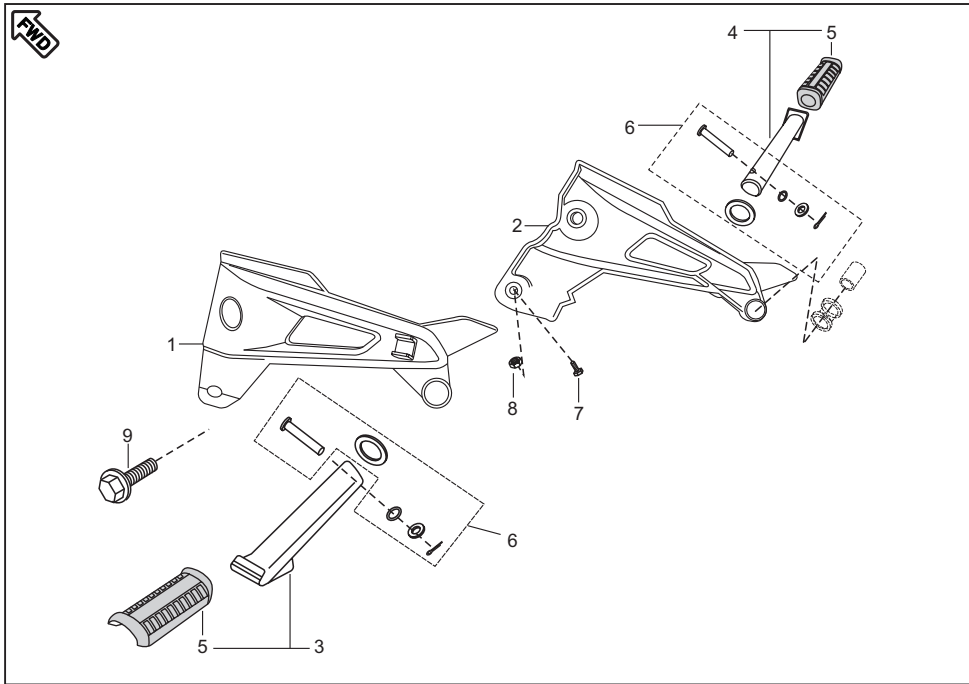
No.	Part No.	Description	Qty/ Veh.	Remarks
1	DJ 1612 64	Frame Assly. comp.	1	
2	DH 1611 12	Cup rear	2	Incl. Bush, Races & Cup rear
3	30 1810 11	Nut	1	
4	DH 1810 14	Cup - Steering	1	
5	36 DS18 02	Bearing Cone Kit	3	Alt. 36311803 Ref. Page No. 61
6	36 3140 02	Ball steel	1	46 pcs
	DJ 1811 15	Ball steel with cage	2	23 pcs
7	39 1680 04	Flanged bolt	2	
8	DJ 1611 32	Cable Hook LH	1	
9	DJ 1611 33	Cable Hook RH	1	



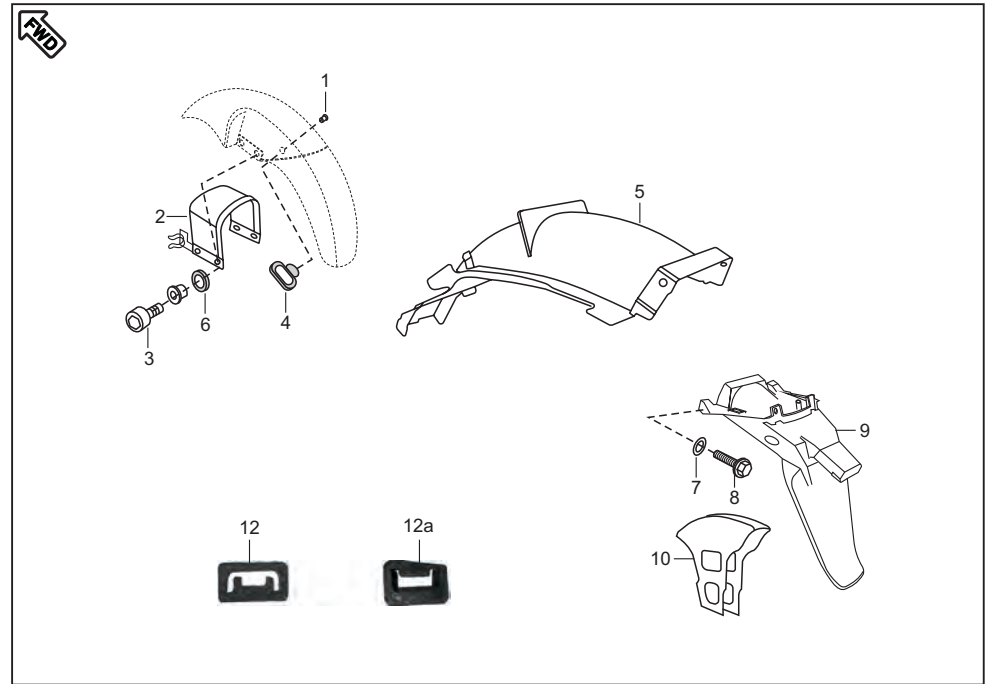
No.	Part No.	Description	Qty/ Veh.	Remarks
1	DJ 1710 19	Rear Shock Absorber	2	Ref. Page No. 61
2	DG 1710 38	Bolt Pre-coated	2	
3	36 DK00 12	Kit bush rear shock	1	
4	DJ 1710 32	Swing arm assly.	1	
5	DH 1710 14	Bush swing arm	4	
6	DH 1710 13	Collar swing arm	2	
7	DH 1710 15	Dust seal swing arm	4	
8	DH 1710 19	'U' nut swing arm	1	
9	DH 1710 12	Shaft swing arm	1	
10	DJ 1710 08	Chain slider	1	
11	39 0553 02	Screw	2	
12	39 0454 11	Plain washer	2	
13	DJ 1510 36	Adjuster chain LH	1	
14	DJ 1510 37	Adjuster chain RH	1	
15	DJ 1510 47	Plate Chain Adjuster	2	
16	39 0292 15	Hexagon nut	4	
17	35 1710 33	Grease nipple	2	
18	39 0740 11	Plain washer(Nylon)	2	
19	DJ 1710 34	Nitrox chamber screw assly	2	



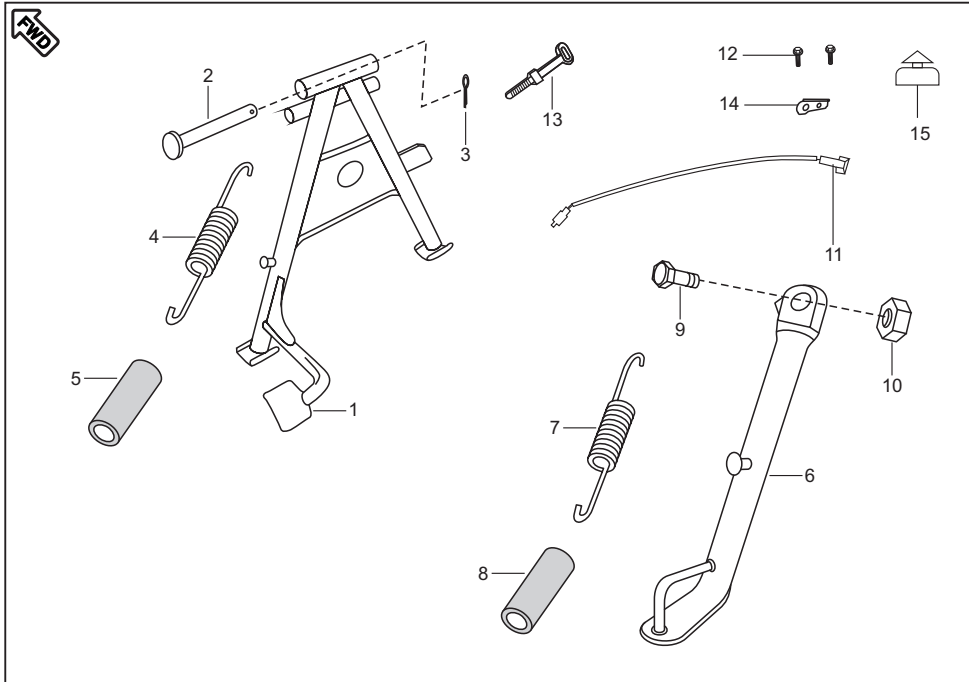
No.	Part No.	Description	Qty/ Veh.	Remarks
1	DJ 1611 30	Main step LH assly. comp.	1	
2	39 2310 04	Flange bolt	4	
3	DJ 1611 31	Main step RH assly. comp.	1	
4	DH 1610 53	Rubber main step	2	
5	DH 1611 94	Kick stopper	1	



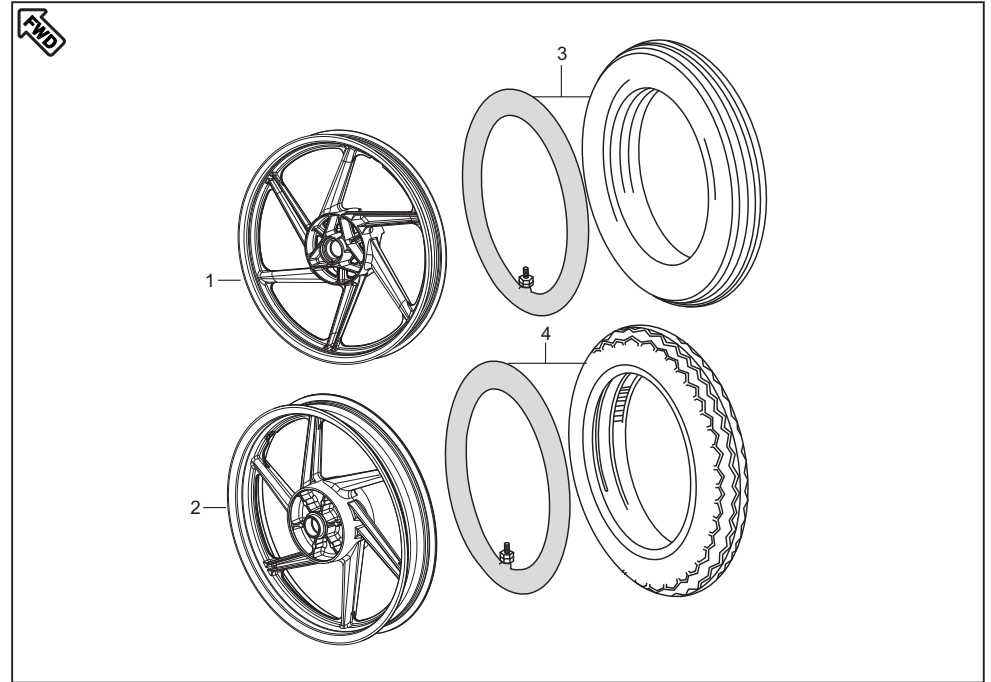
No.	Part No.	Description	Qty/ Veh.	Remarks
1	DJ 1612 56	Holder LH step	1	
2	DJ 1612 57	Holder RH step	1	
3	DH 1613 13	Pillion step assly. comp. LH	1	From Dec.2006
4	DH 1613 15	Pillion step assly. comp. RH	1	From Dec.2006
5	DH 1613 17	Rubber pillion step	2	From Dec.2006
6	36 DK00 13	Kit hardware pillion	2	Ref. Page No. 61
7	39 1069 01	Bolt	1	Stopper bolt
8	39 0292 15	Nut	1	
9	39 1741 04	Flanged Bolt (Mtg holder step LH&RH)	2	Alt. 39258204
10	DX 1610 67	Plate lock pillion step	2	NI
11	DH 1611 00	Spacer main step	2	NI
12	22 1504 51	Bolt cylinder securing	2	NI



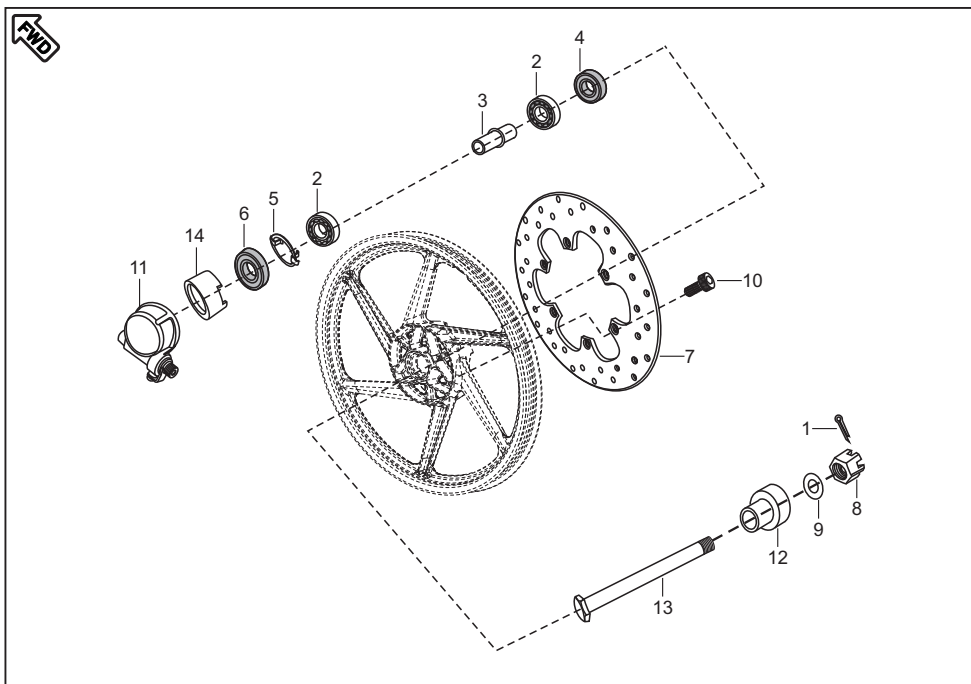
No.	Part No.	Description	Qty/ Veh.	Remarks
1	DJ 1610 69	Nail for Cable Guide	1	From 26Dec08 (C10)
2	DH 1613 04	Brace fender	1	
	DH 1612 58	Brace fender	1	From 26Dec08 (C10)
3	DG 1810 08	Socket bolt	4	Fender front mtg.
4	DS 1611 25	Cable guide	1	From 26Dec08 (C10)
5	DJ 1612 55	Fender rear front	1	
6	DJ 1610 91	Grommet Front Fender	4	
7	39 0711 11	Plain washer	4	
8	39 1680 04	Flange bolt	2	
9	DJ 1612 54	Fender rear	1	
10	36 DS40 02	Guard Kit	1	
11	DJ 1612 72	Support Assly for Rear Fender	1	N.I.
12	DH 1613 03	Grommet Rear Fender	1	
12a	DJ 1612 91	Grommet Rear Fender	1	From 13Feb09 (C14)



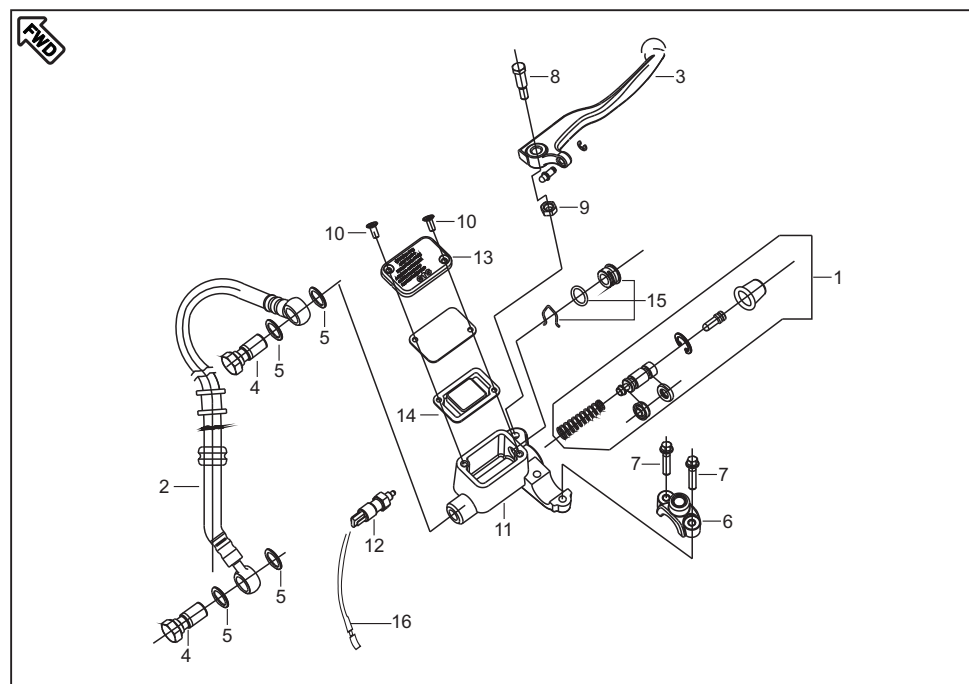
No.	Part No.	Description	Qty/ Veh.	Remarks
1	DJ 1612 14	Stand main	1	
2	30 1611 57	Shaft stand	1	
3	39 0787 08	Pin cotter	1	
4	DH 1611 21	Spring main stand	1	
5	DH 1611 45	Cover spring main stand	1	
6	DJ 1612 18	Stand side	1	
7	DH 1610 66	Spring side stand	1	
8	DH 1611 46	Cover spring side stand	1	
9	DF 1611 02	Bolt	1	
10	39 0422 15	Nut	1	
11	DH 2010 64	Side stand switch	1	From Mar.07
12	39 2060 04	Bolt	2	
13	30 2010 64	Band	1	
14	DJ 1611 88	Bkt. Side stand switch	1	
15	DH 2010 65	Magnet assly.	1	From March 2007



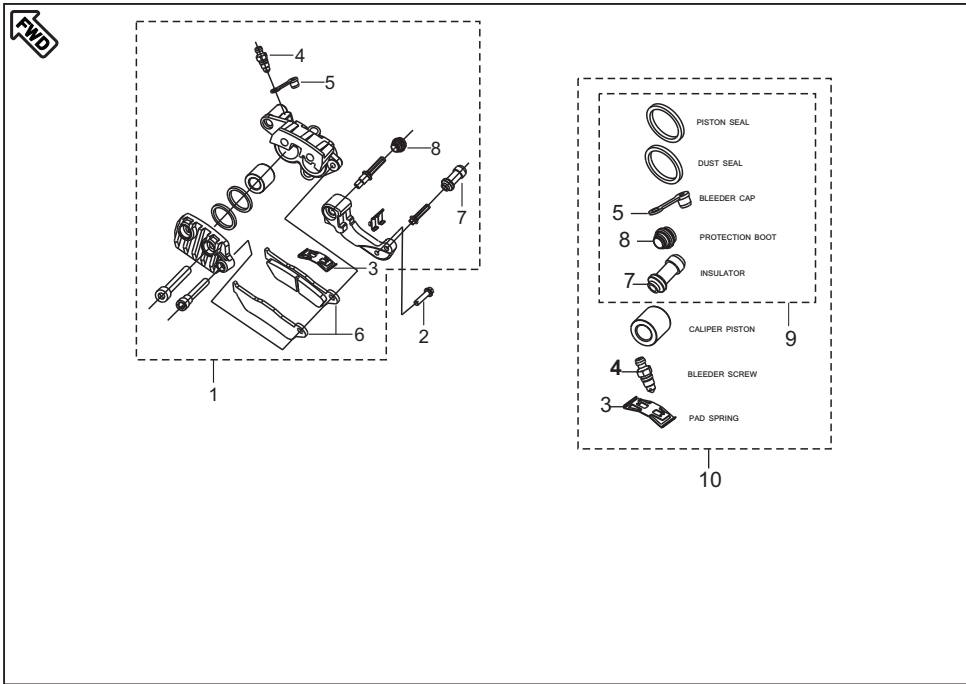
No.	Part No.	Description	Qty/ Veh.	Remarks
1	DJ 1510 77	Wheel rim front	1	
2	DJ 1510 87	Wheel rim rear	1	
3	DS 1510 47	Front tyre assly with tube	1	
4	DS 1510 30	Rear tyre assly with tube	1	



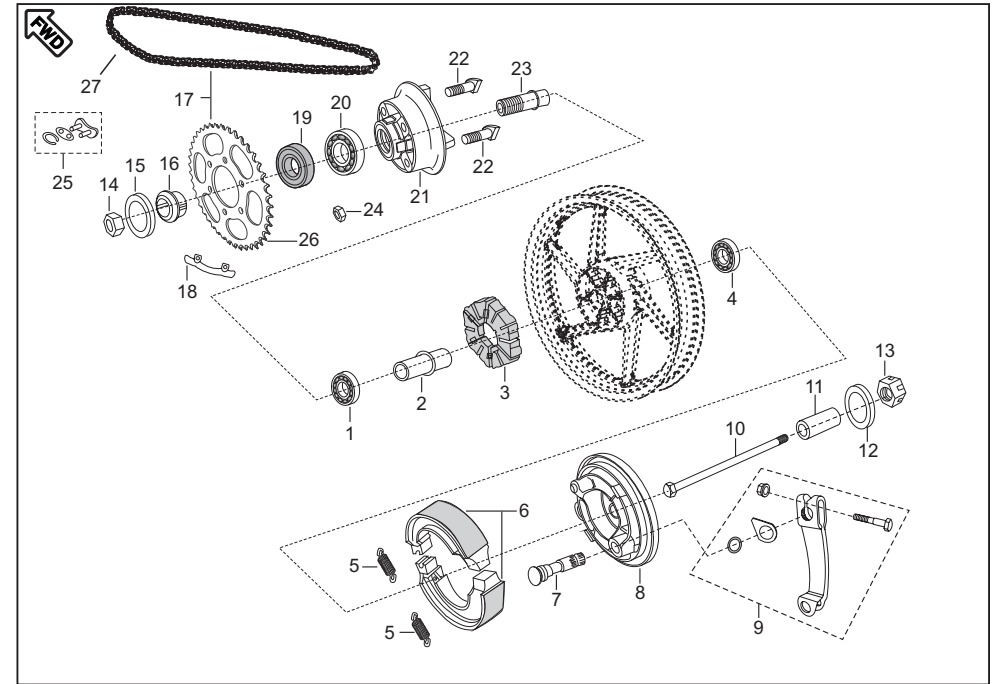
No.	Part No.	Description	Qty/ Veh.	Remarks
1	39 0787 08	Pin cotter	1	
2	39 2688 20	Bearing ball	2	Alt. 39236220
3	DE 1510 06	Spacer assly.	1	
4	30 1510 33	Seal oil	1	
5	DE 1510 12	Plate drive	1	
6	DE 1510 08	Seal oil	1	
7	DJ 1510 14	Disc (KBX)	1	Alt. DE151013
	DJ 1510 65	Disc (ETS)	1	
8	39 0786 15	Hex. slotted nut	1	
9	39 0781 11	Plain washer	1	
10	DD 1510 36	Hex. soc. hd. bolt	6	
11	DH 1510 62	Case meter assly.	1	
12	DS 1510 58	Spacer	1	
13	DJ 1510 41	Front Axle with head	1	
14	DJ 1510 94	Rotor Speedo	1	



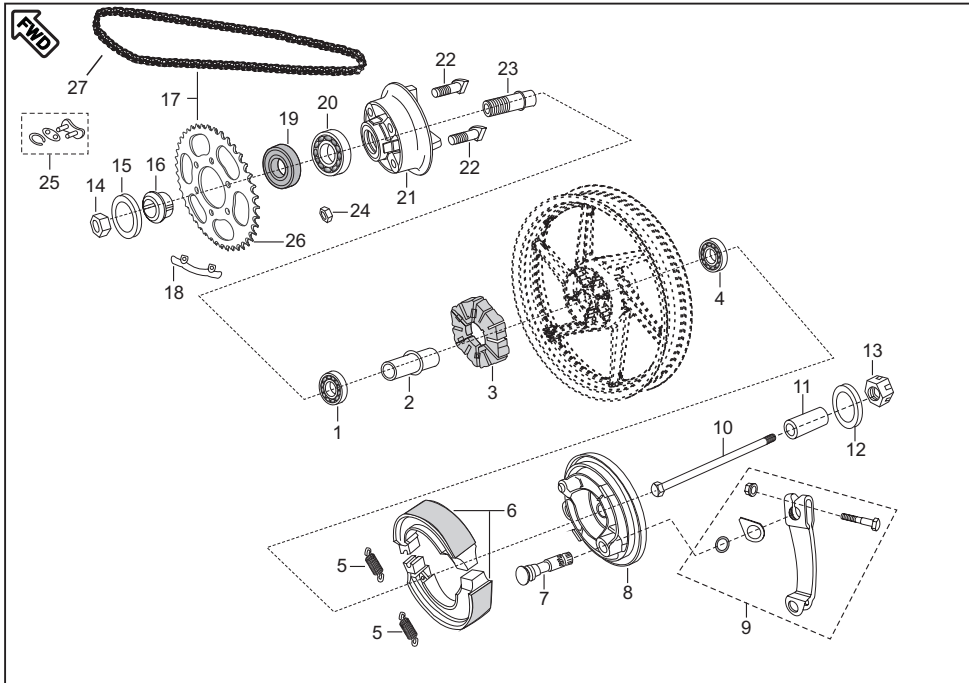
No.	Part No.	Description	Qty/ Veh.	Remarks
1	DJ 1910 23	Major Kit - Master Cylinder	1	ETS
	DE 1910 43	Major Kit - Master Cylinder	1	KBX
2	DJ 1510 76	Hose Brake Front	1	
3	DJ 1910 59	Lever Grip RH (ETS)	1	
	DJ 1910 57	Lever Grip RH (KBX)	1	
4	DJ 1910 25	Banjo Bolt	2	
5	DJ 1910 26	Washer Copper	4	
6	DJ 1910 27	Clamp Holder RH	1	
7	DJ 1910 28	Bolt	1	
8	DJ 1910 29	Bolt Front Brake Lever	1	
9	DJ 1910 30	Nut Flanged	1	
10	DJ 1910 31	Screw	2	
11	DJ 1910 56	Cylinder Master (KBX)	1	
	DJ 1910 58	Cylinder Master (ETS)	1	
12	DJ 2011 09	Front brake switch	1	
13	DJ 1910 34	Reservoir Cover	1	
14	DJ 1910 35	Diaphragm	1	
15	36 DH19 02	Oil Window Kit	1	
16	DJ 2011 08	Cable assly for switch	1	
17	36 DH19 01	Minor Kit	1	N.I.



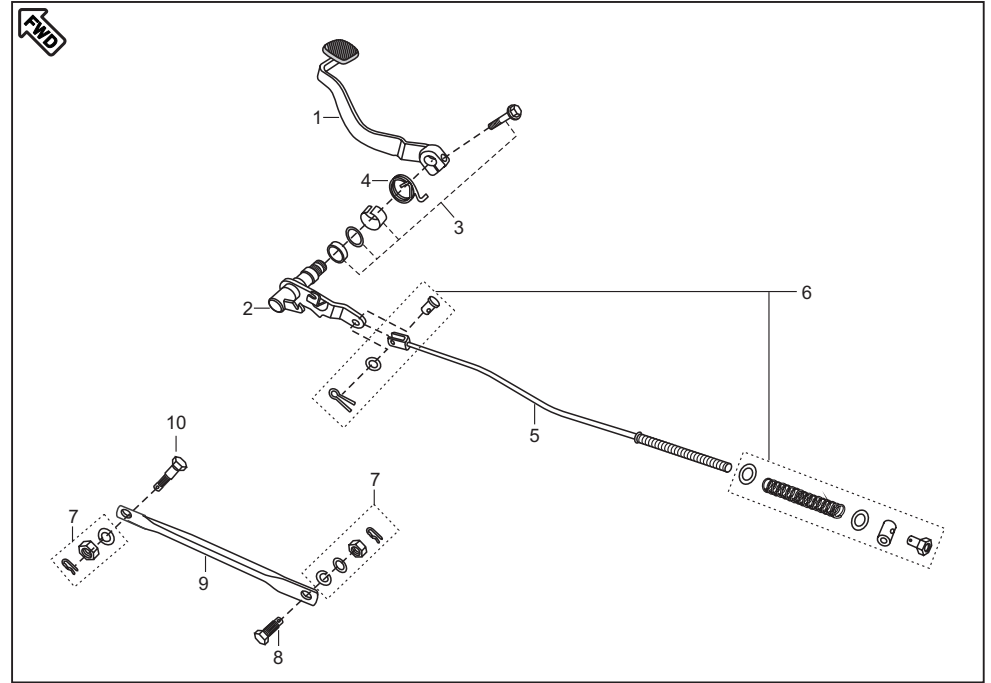
No.	Part No.	Description	Qty/ Veh.	Remarks
1	DJ 1510 67	Caliper Assly. Front	1	
2	39 1769 04	Bolt Flanged	2	
3	DJ 1510 68	Spring Pad	1	
4	DJ 1510 69	Bleeder Screw	1	
5	DJ 1510 70	Bleeder Cap	1	
6	DJ 1510 71	Disc Pad Set	1	
7	DJ 1510 72	Insulator	1	
8	DJ 1510 73	Protection Boot	1	
9	DJ 1510 74	Minor Kit - Caliper	1	
10	DJ 1510 75	Major Kit - Caliper	1	



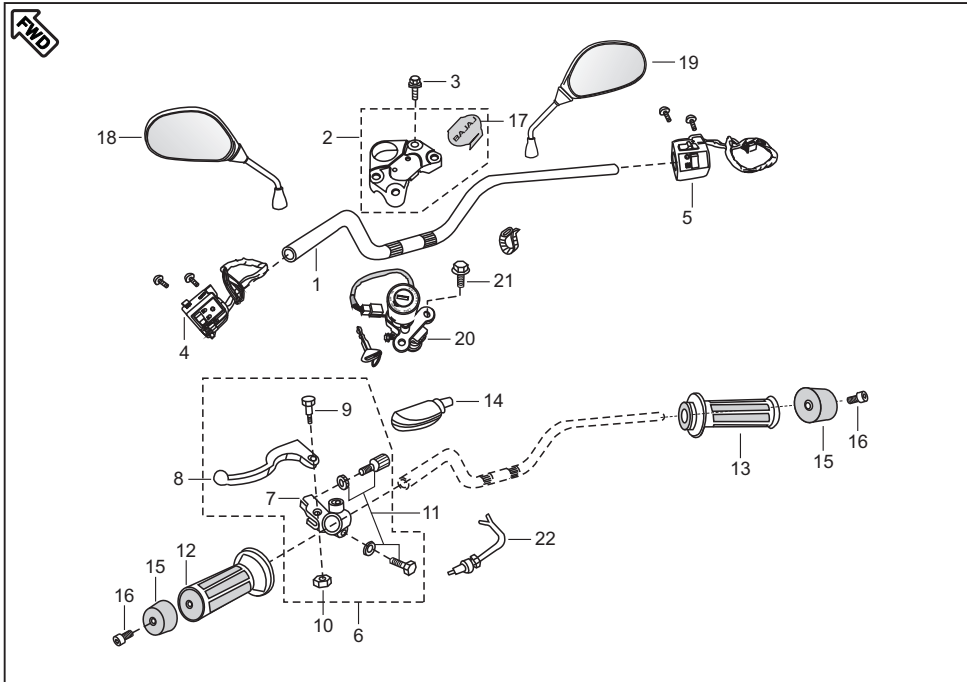
No.	Part No.	Description	Qty/ Veh.	Remarks
1	39 2442 20	Bearing ball	1	
2	30 1510 75	Collar bearing	1	
3	DJ 1510 88	Damper	1	
4	39 2686 20	Bearing ball	1	Alt. 39224120
5	30 1510 69	Spring	2	
6	30 1511 05	Shoe brake assly.	1	
7	30 1510 11	Cam brake	1	
8	DJ 1510 92	Panel rear brake	1	
9	36 DK00 14	Kit lever brake	1	Ref. Page No. 61
10	DJ 1510 32	Axle	1	
11	DJ 1510 34	Collar	1	
12	39 2567 11	Plain washer	1	
13	DH 1710 19	'U' nut	1	
14	39 0801 15	Nut	1	
15	39 2566 11	Plain washer	1	



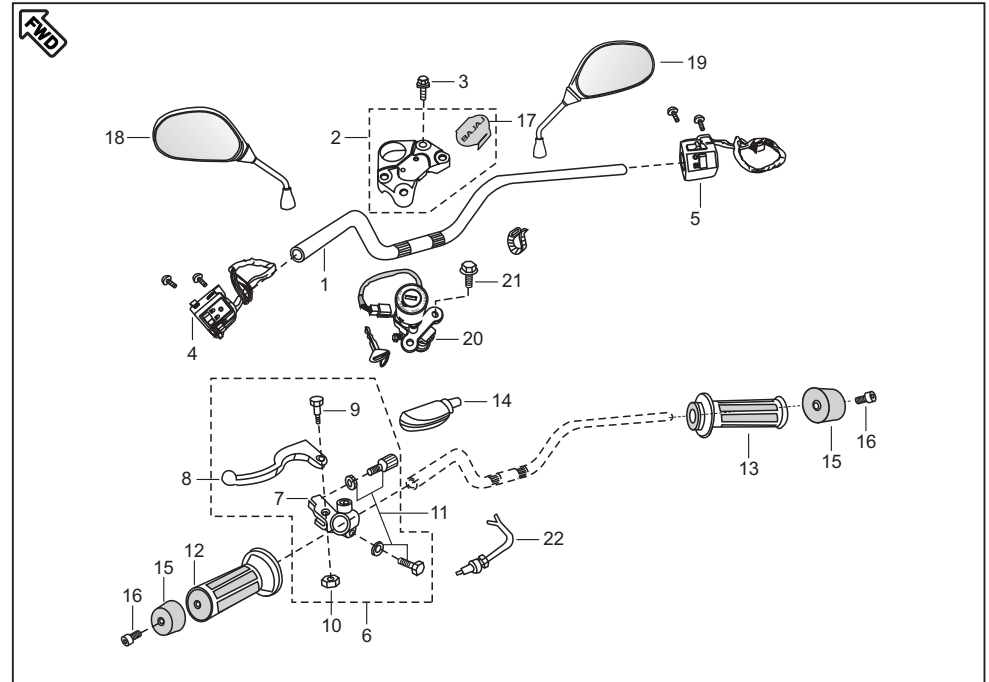
No.	Part No.	Description	Qty/ Veh.	Remarks
16	DJ 1510 35	Collar	1	
17	36 DJ40 13	Chain Sprocket Kit	1	Alt. 36DJ4005 Ref. Page No. 61
18	DS 1510 74	Lock washer	3	
19	30 1510 82	Seal oil	2	
20	39 2240 20	Bearing ball	1	
21	DS 1510 68	Coupling	1	
22	DS 1510 73	'D' Bolt	4	
23	DJ 1510 33	Sleeve	1	
24	39 0794 15	Hex. lock nut	4	
25	DJ 1510 53	Drive Chain Lock	1	
26	DJ 1510 86	Sprocket 43 T - 4 Rubber	1	
27	DJ 1510 96	Chain 124 L - Solid Bush	1	



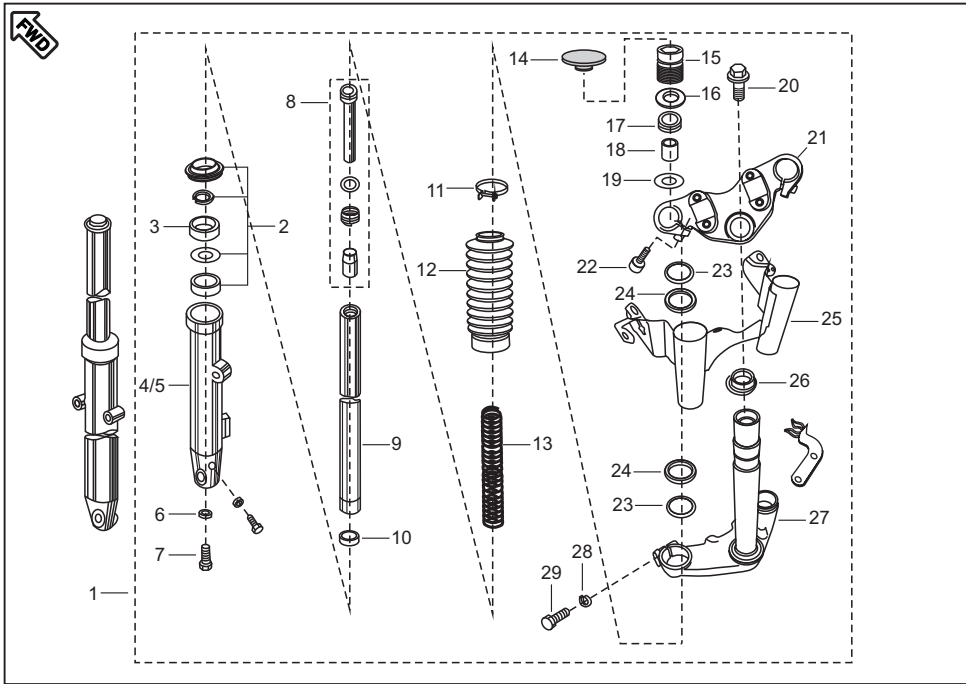
No.	Part No.	Description	Qty/ Veh.	Remarks
1	DH 1910 01	Lever Brake Pedal	1	
2	DJ 1910 21	Shaft assly. brake Pedal	1	
3	36 DK00 16	Kit hardware brake pedal	1	Ref. Page No. 61
4	DH 1910 06	Spring	1	
5	DJ 1910 10	Rod assly. brake	1	
6	36 DK00 17	Kit hardware rod brake	1	Ref. Page No. 62
7	36 DK00 18	Kit hardware rod torque	1	Ref. Page No. 62
8	30 1510 95	Hex. bolt	1	
9	DJ 1510 42	Rod torque	1	
10	DH 1510 29	Hex. bolt	1	



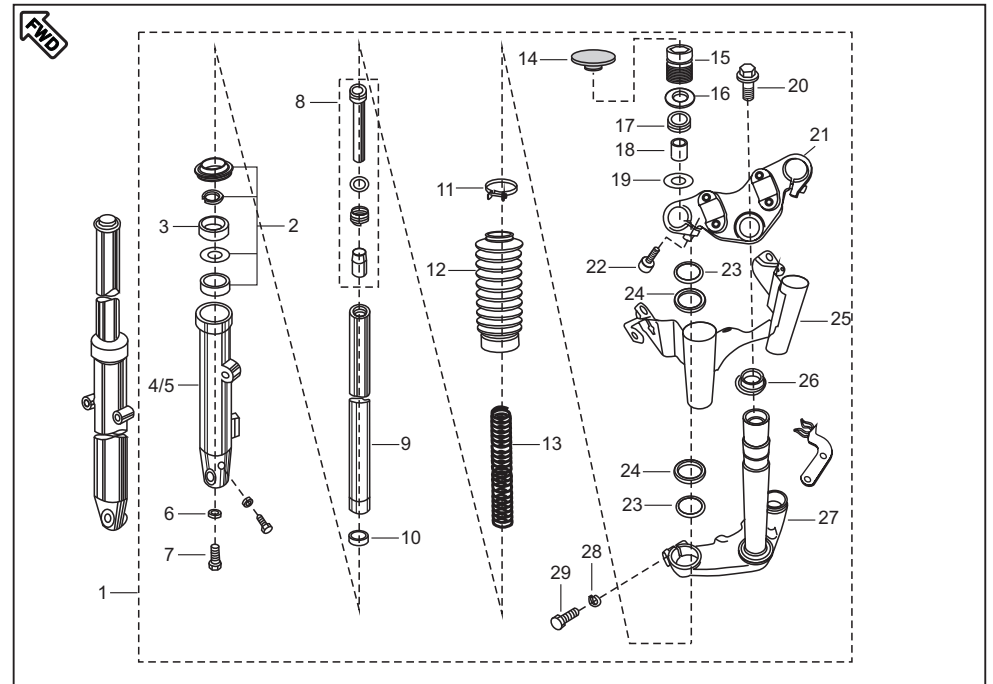
No.	Part No.	Description	Qty/ Veh.	Remarks
1	DH 1810 55	Handle Bar	1	
2	DH 1810 53	Holder Handle	1	
3	39 1714 04	Flanged bolt	4	
4	DH 2010 48	Control switch LH	1	
5	DH 2010 49	Control switch RH	1	
6	DJ 1910 09	Lever assly. grip LH	1	
7	DJ 1910 54	Holder left hand	1	
8	DJ 1910 55	Lever grip left	1	
9	DD 1910 85	Bolt	1	
10	39 1184 15	Self locking nut	1	
11	36 DK00 19	Kit hardware holder kit	1	Ref. page no. 62
12	DH 1910 07	Grip LH	1	
13	DH 1910 16	Grip assly.RH	1	Ref. page no. 62
14	DH 1910 19	Boot for lever	1	
15	DH 1810 22	Handle bar weight	2	



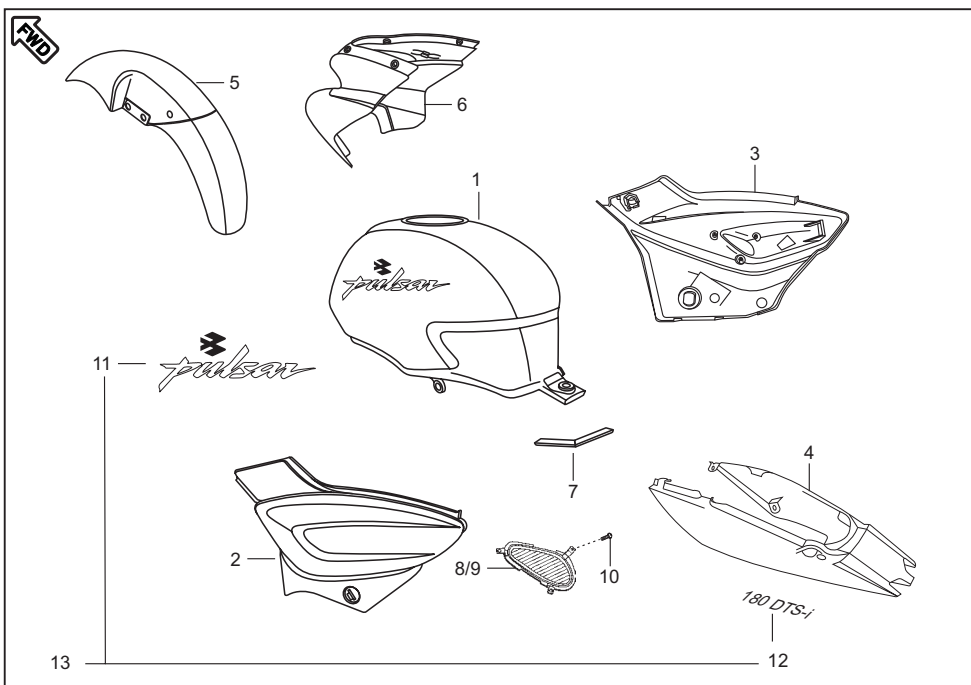
No.	Part No.	Description	Qty/ Veh.	Remarks
16	DH 1810 40	Hex. soc.hd. cap screw	2	Alt. 39 2427 04
17	DJ 1810 39	Pad Holder Handle	1	
18	DJ 2210 03	Mirror assly. LH	1	
19	DJ 2210 04	Mirror assly. RH	1	
20	DS 1810 22	Switch assly.ignition	1	
21	39 1943 04	Flange bolt	2	
22	DJ 2010 35	Clutch Switch	1	
	DJ 2011 95	Clutch Switch	1	From 26Dec08 (C11)



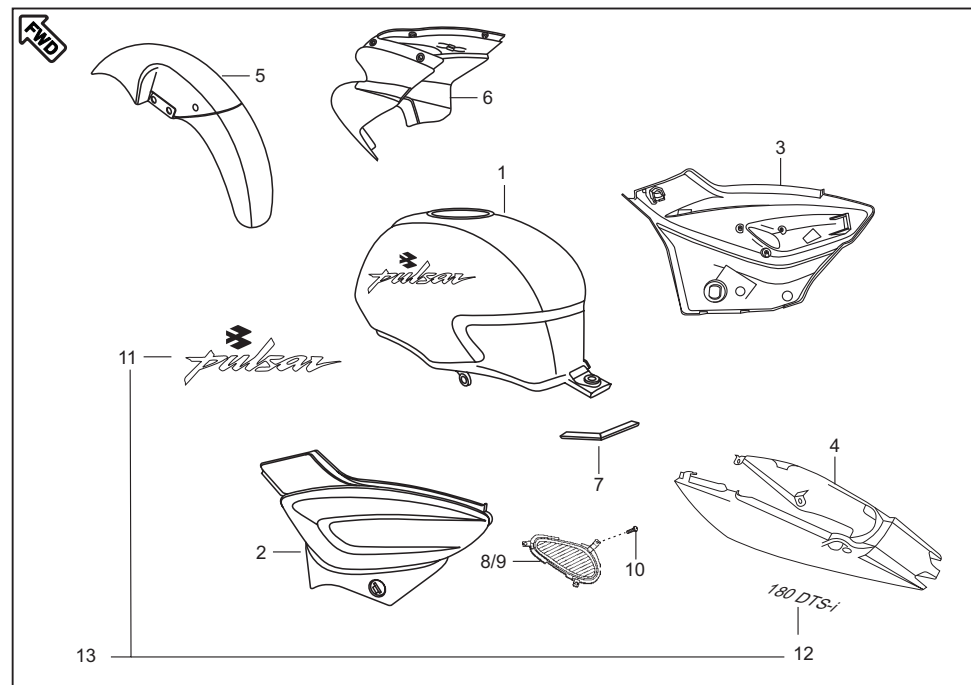
No.	Part No.	Description	Qty/ Veh.	Remarks
1	DJ 1811 00	Fork front	1	without 20,21,22,23,24,25,26
	DJ 1811 36	Fork front (without bellow)	1	From 20Aug08 (C9)
2	36 DK00 20	Kit outer tube	1	Ref. Page No. 62
3	DJ 1810 87	Oil seal	2	
4	DJ 1811 01	Outer Tube LH	1	
	DJ 1811 32	Outer Tube LH (without bellow)	1	From 20Aug08 (C9)
5	DJ 1811 02	Outer Tube RH	1	
	DJ 1811 33	Outer Tube RH (without bellow)	1	From 20Aug08 (C9)
6	30 1810 26	Gasket	2	
7	31 1811 06	Bolt	2	
8	DS 1810 77	Cylinder comp. fork	2	
9	DJ 1811 03	Pipe comp. suspension inner	2	
10	DS 1810 71	Slide Bush	2	
11	DJ 1810 45	Clamp for Bellow	2	N.S. (Deleted by C9)
12	DJ 1810 44	Bellow	2	Deleted by C9
13	DJ 1811 04	Spring front fork	2	
14	DH 1810 09	Grommet Top	2	
15	DH 1810 15	Bolt fork	2	



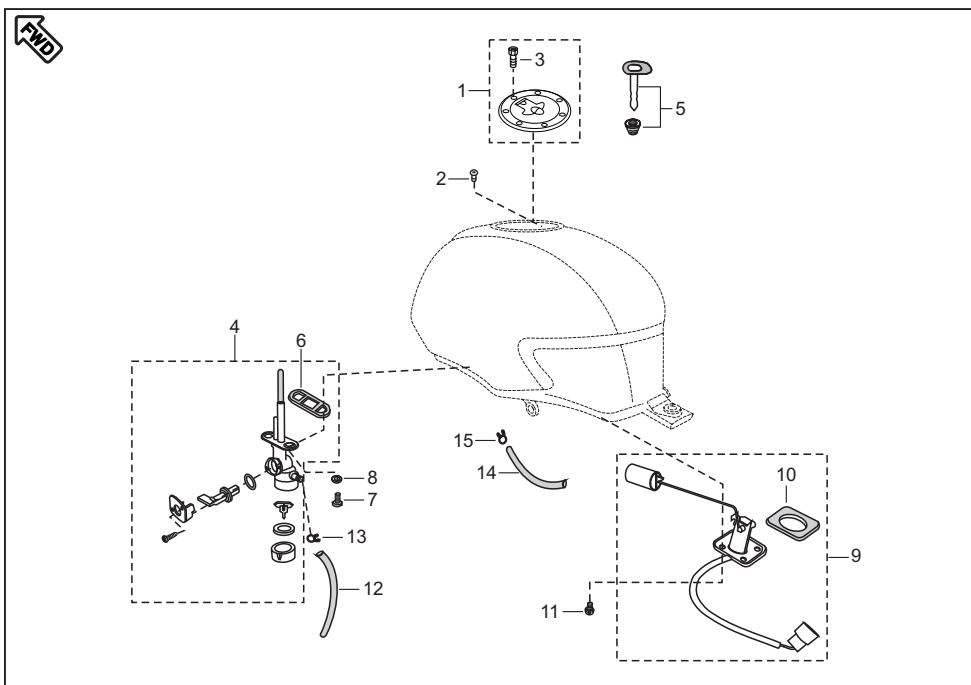
No.	Part No.	Description	Qty/ Veh.	Remarks
16	31 1811 02	'O' ring	2	
17	31 1811 01	Seat fork spring	2	
18	DS 1810 85	Spacer Tube	2	
19	DM 1810 10	Washer	2	
20	31 1811 20	Bolt	1	
21	DH 1810 56	Holder fork upper	1	
22	DG 1810 08	Socket Bolt	2	
23	DJ 1810 85	Cushion Rubber	2	
24	DJ 1810 52	Cover Trail B	4	
25	DH 1810 48	Lamp Shade asly.	1	
26	30 1810 09	Bearing cone	1	
27	DJ 1810 41	Holder fork under	1	
28	39 0789 12	Spring washer	2	
29	39 1813 04	Bolt	2	



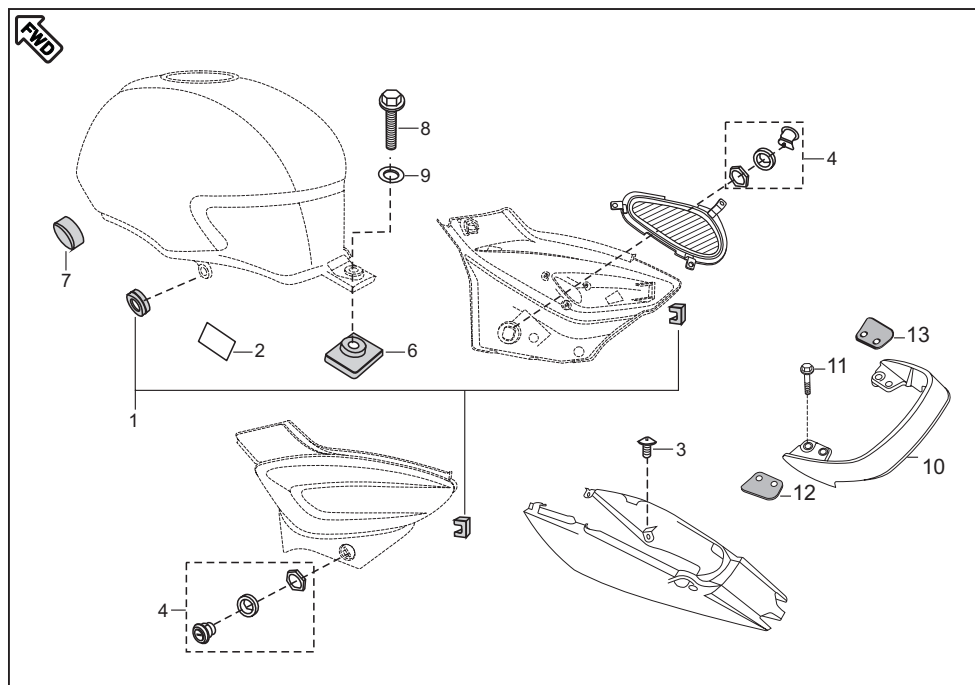
No.	Part No.	Description	Qty/ Veh.	Remarks
1	DH 7102 X3 DH 7102 3A DH 7102 2T DH 7102 2V	Fuel Tank with Decal Fuel Tank with Decal Fuel Tank with Decal Fuel Tank with Decal	1 1 1 1	FOR EBONY BLACK FOR LONG BEACH BLUE FOR TIT SILVER FOR COCKTAIL WINE RED
2	DK 7301 X3 DK 7301 3A DK 7301 2T DK 7301 2V	Side cover LH Side cover LH Side cover LH Side cover LH	1 1 1 1	FOR EBONY BLACK FOR LONG BEACH BLUE FOR TIT SILVER FOR COCKTAIL WINE RED
3	DK 7302 X3 DK 7302 3A DK 7302 2T DK 7302 2V	Side cover RH Side cover RH Side cover RH Side cover RH	1 1 1 1	FOR EBONY BLACK FOR LONG BEACH BLUE FOR TIT SILVER FOR COCKTAIL WINE RED
4	DK 7303 X3 DK 7303 3A DK 7303 2T DK 7303 2V	Seat Cowl Assly. Seat Cowl Assly. Seat Cowl Assly. Seat Cowl Assly.	1 1 1 1	FOR EBONY BLACK FOR LONG BEACH BLUE FOR TIT SILVER FOR COCKTAIL WINE RED



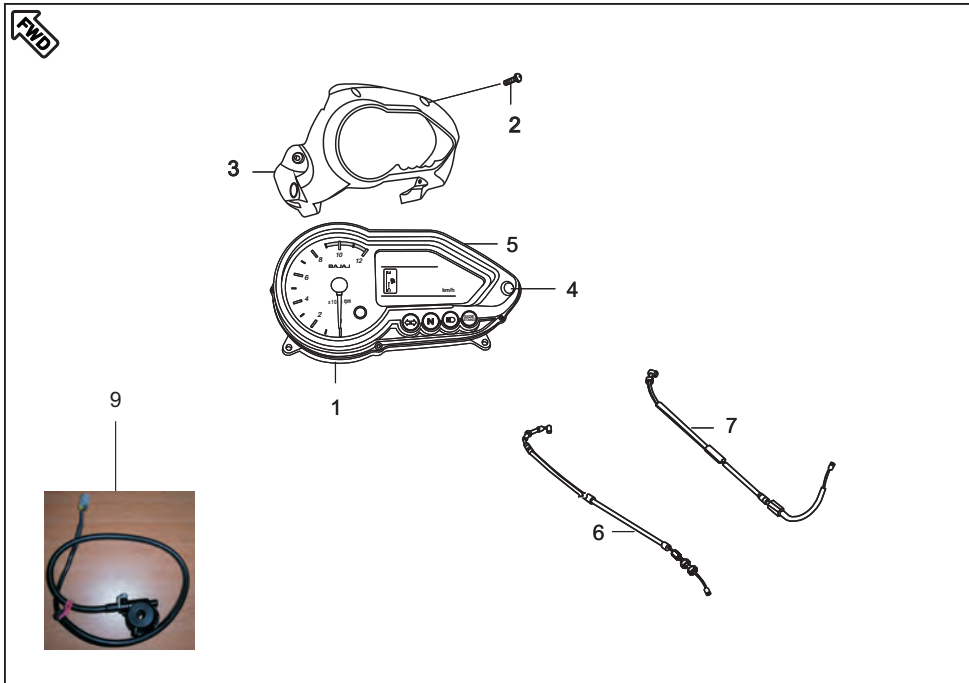
No.	Part No.	Description	Qty/ Veh.	Remarks
5	DJ 7302 X3 DJ 7302 3A DJ 7302 2T DJ 7302 2V	Front Fender Front Fender Front Fender Front Fender	1 1 1 1	FOR EBONY BLACK FOR LONG BEACH BLUE FOR TIT SILVER FOR COCKTAIL WINE RED
6	DJ 7401 X3 DJ 7401 3A DJ 7401 2T DJ 7401 2V	Fairing Fairing Fairing Fairing	1 1 1 1	FOR EBONY BLACK FOR LONG BEACH BLUE FOR TIT SILVER FOR COCKTAIL WINE RED
7	DH 1410 20	Seat tape	1	
8	DK 1611 23	Cover Side Mesh LH	1	
9	DK 1611 24	Cover Side Mesh RH	1	
10	59 0200 01	Self tap screw	6	
11	52 DJ01 10	Tank Decal Set	1	
12	DH 1613 10	Seat Cowl Decal	2	
13	36 DK00 06	Decal Set	1	



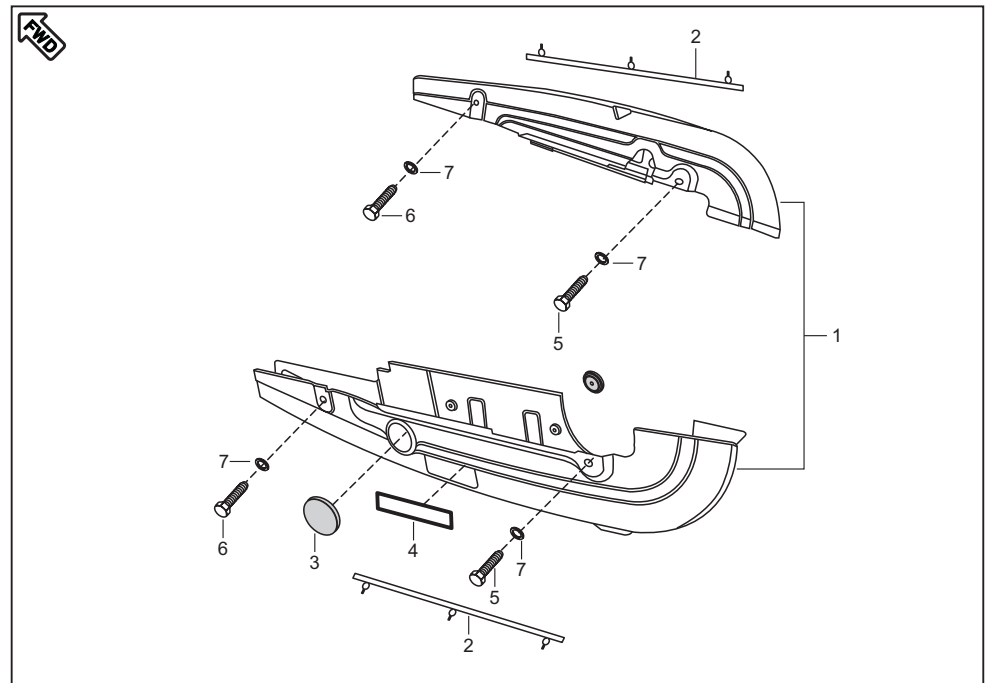
No.	Part No.	Description	Qty/ Veh.	Remarks
1	DH 1410 50	Cap Assly. Tank	1	
2	39 0840 01	Pan head screw	1	Alt. 39 1780 01
3	39 2381 04	Hex. Soc Hd. cap screw	7	
4	DK 1410 01	Tap Assly	1	
5	DJ 1811 10	4 in 1 Lock set With Key	1	
	DH 1410 48	Rotor with key	1	
6	30 1410 39	Packing	1	
7	DD 1410 22	Bolt flanged	2	
8	39 0740 11	Plain Washer	2	
9	DH 2010 38	Gauge Fuel	1	
	DH 2010 62	Gauge Fuel	1	From 2Jul07 (C1)
10	30 1410 28	Gasket fuel Gauge	1	
11	30 1410 32	Bolt	4	
12	DJ 1410 06	Tube fuel	1	
13	30 1410 15	Pipe clip	1	
14	DH 1410 24	Drain tube	1	
15	DJ 1410 02	Clamp	1	



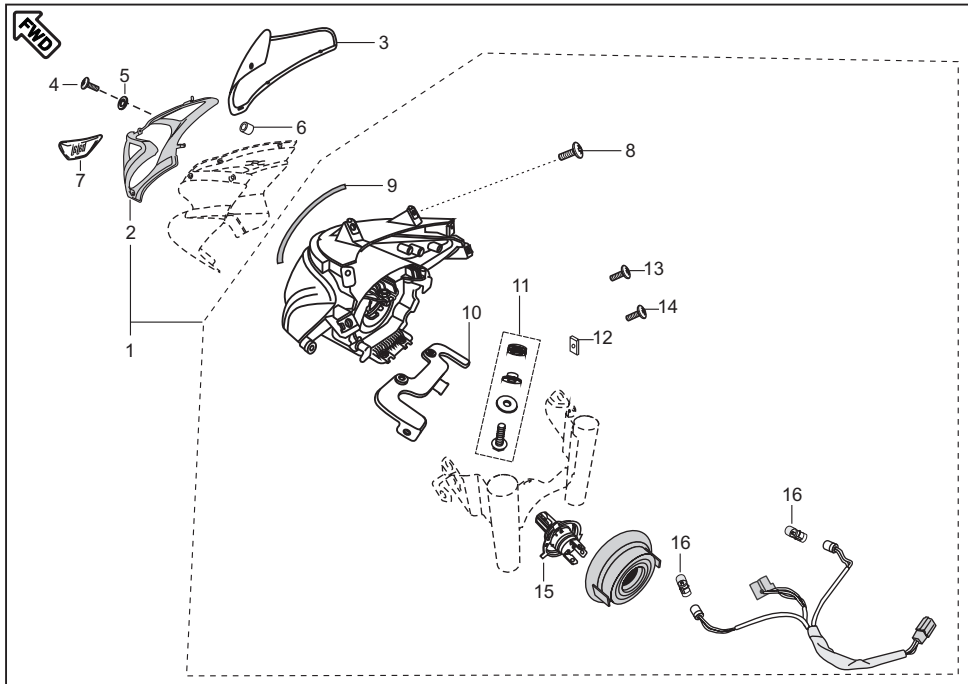
No.	Part No.	Description	Qty/ Veh.	Remarks
1	36 DH16 01	Grommet Kit For side cover	1	Ref. Page No. 62
2	DH 1410 31	Tape tank inner	1	
3	DG 1611 21	Screw	2	
4	DH 1612 31	Lock for side cover with key	2	
5	DJ 1811 10	Lock Set (4 in 1) with Key	1	N.I.
6	DH 1410 23	Damper	1	
7	DJ 1410 08	Damper front	2	
8	39 1556 04	Flanged Bolt	1	
9	39 2424 11	Plain Washer	1	
10	DJ 1612 58	Grab Handle	1	Alt. DJ161263
11	39 2310 04	Bolt Flange	4	
12	DJ 1610 79	Foam LH For grab	1	
13	DJ 1610 80	Foam RH For grab	1	



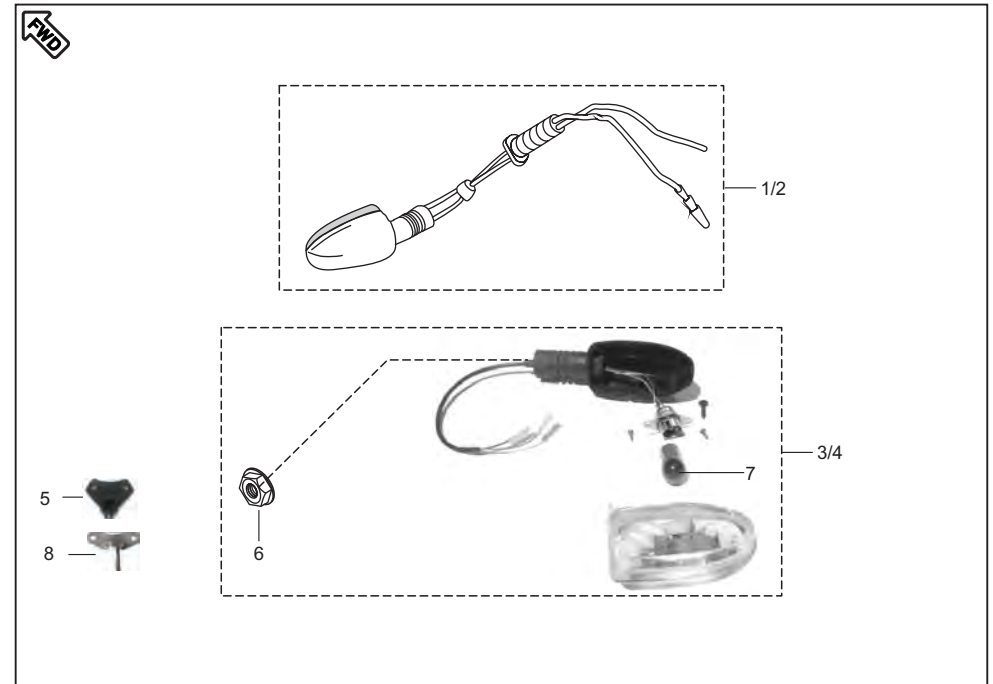
No.	Part No.	Description	Qty/ Veh.	Remarks
1	DJ 1910 70	Speedometer Assly. For Export	1	With Breather
2	39 1778 02	Self Tapping Screw	4	
3	DJ 1811 19	Back Cover	1	
4	DJ 2011 74	Trip Meter Knob	1	
5	DJ 2011 59	Speedo Meter Top Cover	1	
	DJ 2011 69	Housing With Gasket	1	Varroc
	DJ 2011 90	Housing With Gasket	1	Pricol
6	DJ 1910 61	Cable Accelerator	1	
7	DJ 1910 15	Cable Clutch	1	
8	JC 2010 15	Pig Tail	1	N.I.
9	DJ 2011 83	Assly. Speedo Sensor with cable	1	From 26Dec08 (C10)



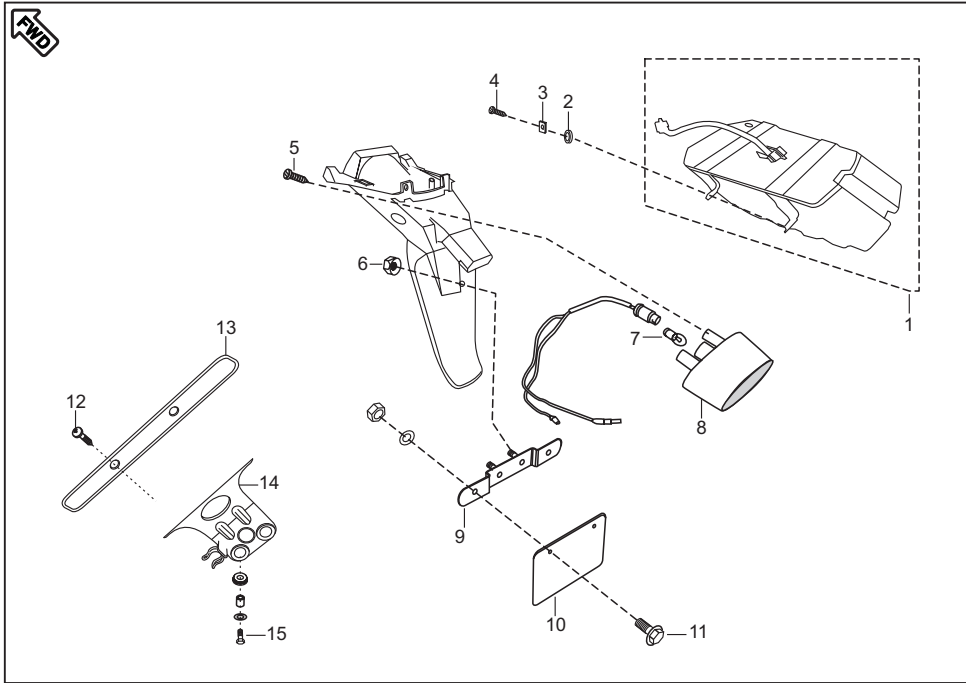
No.	Part No.	Description	Qty/ Veh.	Remarks
1	52 DJ01 66	Case Chain Kit	1	Ref. Page No. 62
2	DH 1612 84	Rubber Pad	2	
3	15 1610 69	Rubber Cap	1	
4	DH 1610 73	Instruction Label	1	
5	39 0897 04	Bolt	2	Rear side Mtg.
6	39 2475 04	Bolt	2	Front side Mtg.
7	39 0711 11	Plain Washer	4	



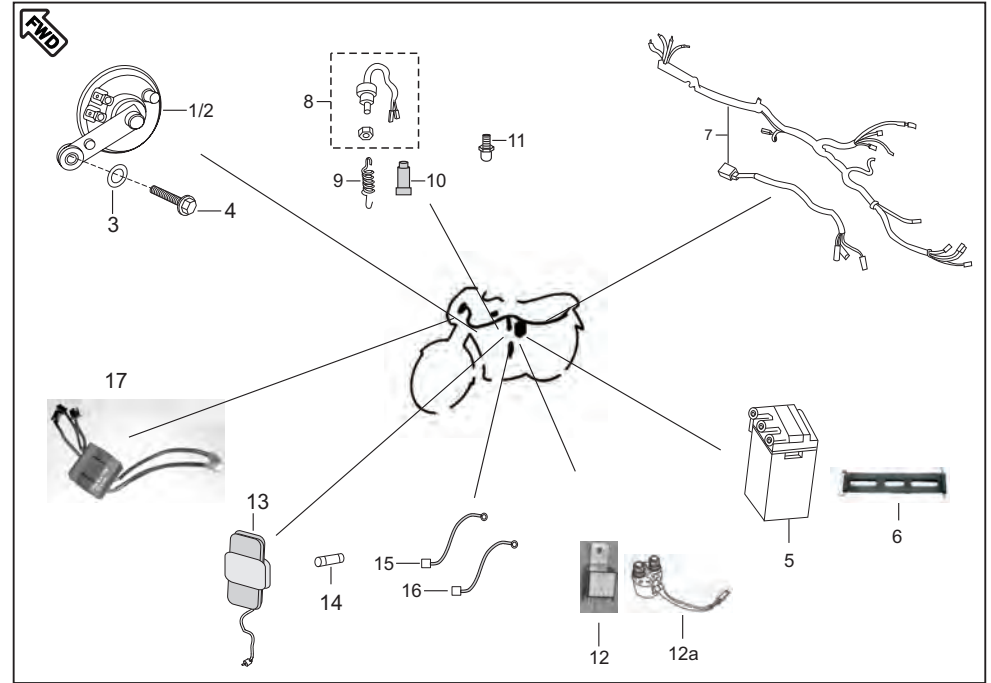
No.	Part No.	Description	Qty/ Veh.	Remarks
1	DJ 2011 32	Head Lamp assly. without bulb	1	
2	DJ 1811 20	Back cover	1	
3	DJ 1810 33	Wind Shield	1	
4	DF 1810 98	Bolt	4	
5	39 2141 24	Non Metallic Washer	4	
6	DL 1810 10	Well Nut	4	
7	DJ 1810 37	Decal Wind Shield	1	
8	39 1907 01	M5 x 15L mushroom HD	2	
9	DJ 1810 69	Packing Fairing	1	
10	DH 1810 52	Fairing mounting upper bracket	1	
11	36 DK00 21	Kit hardware mtg. bracket	1	Ref. Page No. 62
12	DJ 1810 65	Clip Nut	4	
13	39 0716 01	Screw pan cross	2	
14	39 1524 01	Screw pan cross	2	
15	CL 2010 23	Lamp 12V 35/35W-HS1	1	
16	DJ 2010 72	Pilot Bulb	2	



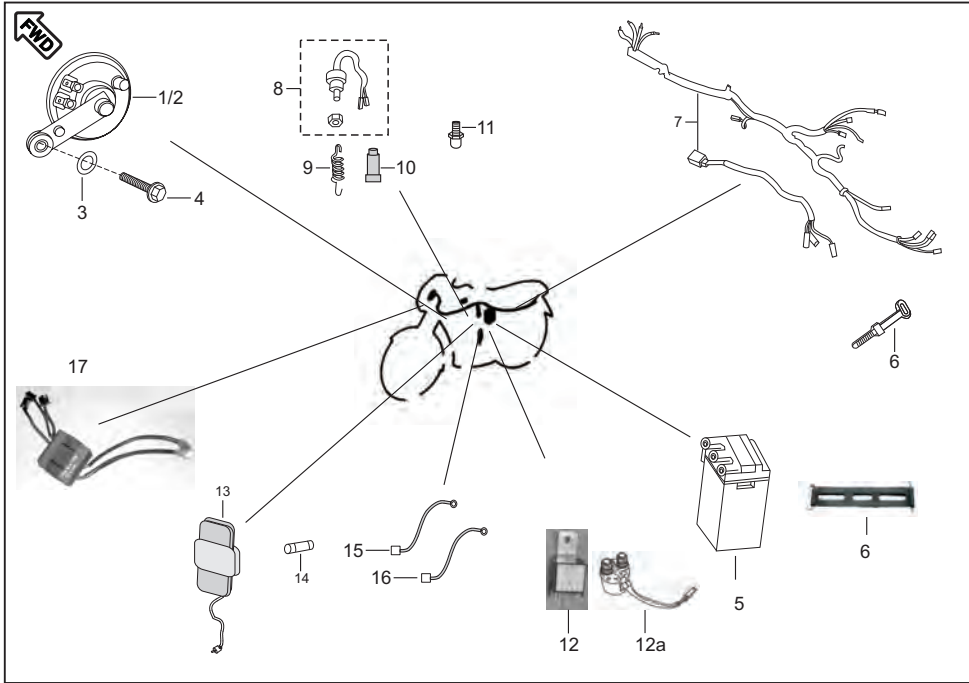
No.	Part No.	Description	Qty/ Veh.	Remarks
1	DJ 2011 48	Blinker Front LH flexible	1	
2	DJ 2011 49	Blinker Front RH flexible	1	
3	DJ 2011 46	Blinker Rear LH flexible	1	
4	DJ 2011 47	Blinker Rear RH flexible	1	
5	DJ 2011 30 DJ 2011 81	Mgt. assly. blinker self cancellation	1	N.I.
6	39 1970 15	Hex. nut with flange	4	
7	GH 2010 12	Amber Bulb	4	
8	DJ 2011 43 DJ 2011 80	Hall Sensor Assly.	1	From 26Jul08 (C8)



No.	Part No.	Description	Qty/ Veh.	Remarks
1	DK 2010 03	Tail light with Lamp	1	
2	DH 1612 93	Damper	2	
3	DK 1611 53	Clip Nut	4	
4	39 2592 01	Screw pan cross	4	
5	39 0705 01	Truss Screw	2	
6	39 1972 15	Bolt flange	2	
7	30 2010 29	Lamp 12V-4W	1	
8	DK 2010 24	No. Plate illumination	1	
9	DJ 1610 72	Rear No. plate bkt.	1	
10	DJ 1610 73	Number plate Rear black	1	
11	39 1680 04	Hex Flanged Bolt	2	
12	39 1783 01	Truss Screw	2	For Front No. Plate
13	DJ 1811 13	Number plate front black	1	
14	DH 1612 92	No. plate mounting bracket	1	
15	39 1773 04	Bolt flange	2	



No.	Part No.	Description	Qty/ Veh.	Remarks
1	DH 2010 11	Horn with LH stay	1	
	DJ 2011 84	Horn with LH stay	1	From 13Mar09 (C15)
2	DH 2010 14	Horn with RH stay	1	
	DJ 2011 85	Horn with RH stay	1	From 13Mar09 (C15)
3	39 1507 11	Plain Washer	1	
4	39 1956 04	Flange Bolt	1	
5	DJ 2011 26	Battery (12V-9A) mf dry	1	For export only
6	DJ 1612 47	Band Battery	1	
7	DJ 2011 07	Wiring Harness	1	For spoke wheel
	DJ 2011 53	Wiring Harness	1	From 8Aug07 (C1)
	DJ 2011 86	Wiring Harness	1	From 26Dec08 (C11)
8	DS 2010 29	Rear Brake Switch	1	Alt. 31201079
9	DH 1910 12	Spring Brake Switch	1	
10	DH 2010 19	Grommet Rear Brake Switch	1	N.S.
11	39 1680 04	Flange Bolt	1	
12	DK 2010 16	Starter Relay / Damper	1	
12a	DK 2010 78	Starter Relay	1	From 26Dec08 (C11)
13	30 2011 04	Fuse Box Assly.	1	
14	30 2010 85	Fuse	1	
15	DJ 2011 40	Cable assly. (Battery to Earth)	1	



No.	Part No.	Description	Qty/ Veh.	Remarks
16	DJ 2010 20	Cable assly. (Battery to St.Relay)	1	
17	DJ 2011 41	Body Control Unit (BCU) Black	1	Black
	DJ 2011 65	Body Control Unit (BCU) Black	1	From 18Jun08 (C3)
	DJ 2011 94	Body Control Unit (BCU) Brown	1	From 7jul08 (C6)
18	JC 2010 27	Cable Starter Relay to Stater Motor	1	From 26Dec08 (C11) N.I.