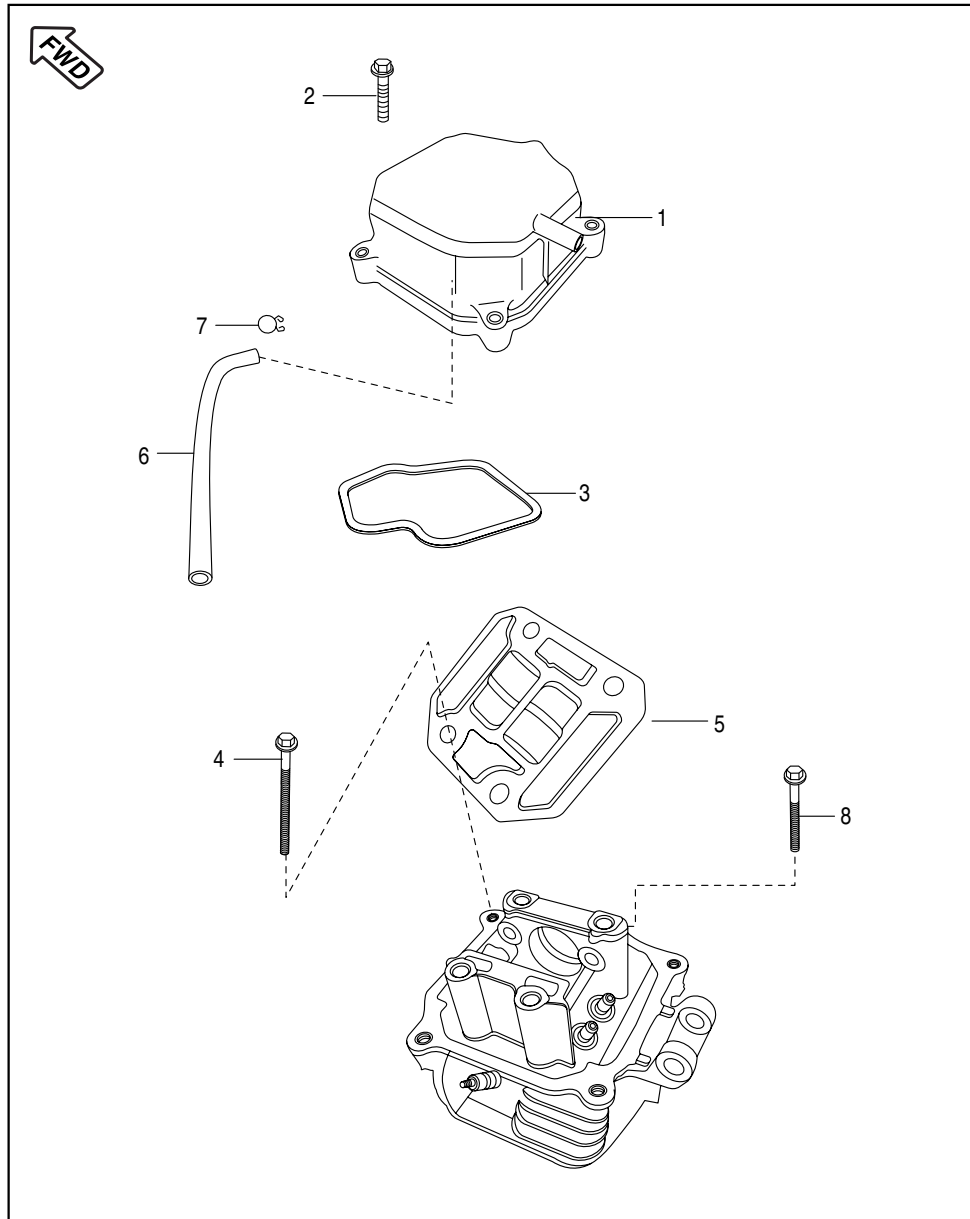
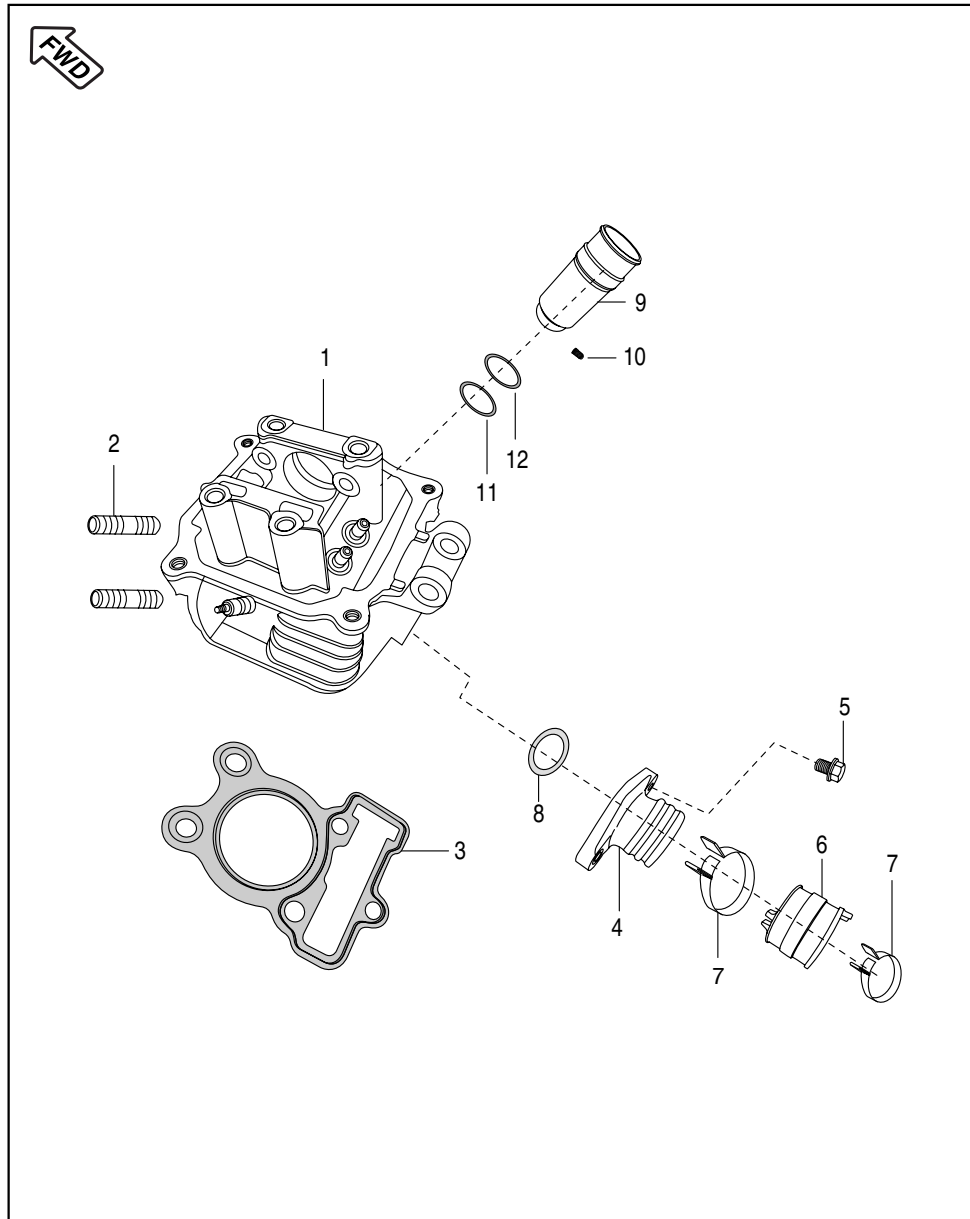


Cover Cylinder Head



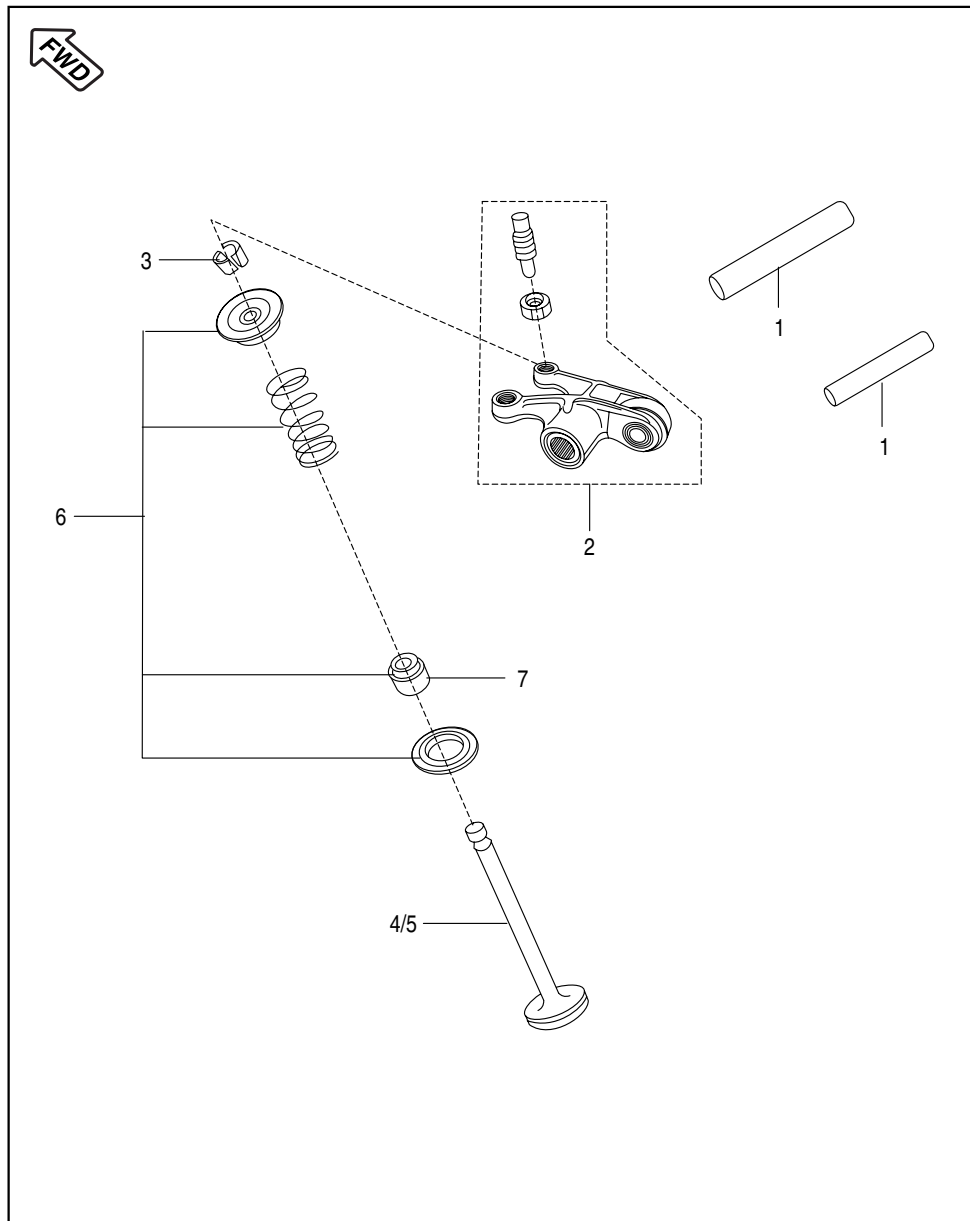
No.	Part No.	Description	Qty.	Remarks
1	JZ 5110 21	Cover Cylinder Head	1	Ref. Cir - IB-7
2	59 0400 38	Bolt Flange	4	
3	JD 5110 10	Gasket Head Cover	1	
4	JA 5110 08	Bolt Head Mounting (Long)	4	
5	PF 5110 27	Plate Cylinder Head	1	
6	JA 5110 11	Hose Crankcase Breather	1	
7	JA 5110 29	Clamp	2	
8	59 0400 50	Bolt Head Mounting (Short)	1	For Head Mounting

Cylinder Head



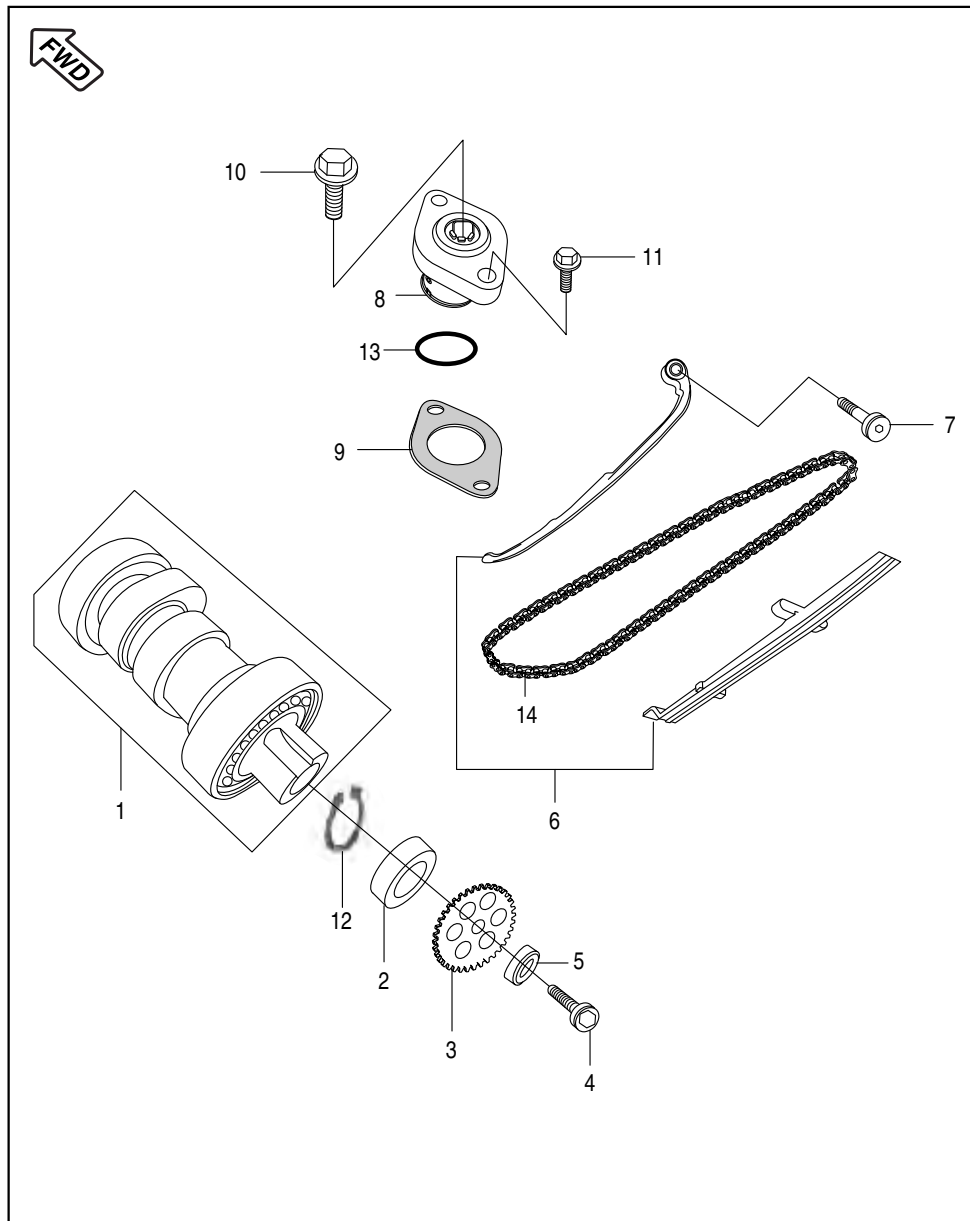
No.	Part No.	Description	Qty.	Remarks
1	36 JE00 13	Cylinder Head Assly. Black	1	Ref. Page No. 109
2	JA 5110 28	Stud	2	Silencer Mtg.
3	JD 5110 08	Gasket Cylinder Head	1	
4	JE 5814 00	Intake Manifold	1	
5	JA 5814 06	Bolt Flange M6 X 1 X 25 L	2	
6	JE 5814 01	Sleeve (Carburettor - Duct Rubber)	1	
7	DH 1210 38	Clamp (39mm)	2	
8	39 1283 21	'O' Ring (Intake Pipe)	1	
9	JD 5110 04	Sleeve Spark Plug R.H	1	
10	39 2608 01	Grub Screw	1	
11	39 2629 21	'O' Ring Sleeve	1	Top side
12	39 1283 21	'O' Ring Sleeve	1	Bottom side

Valve



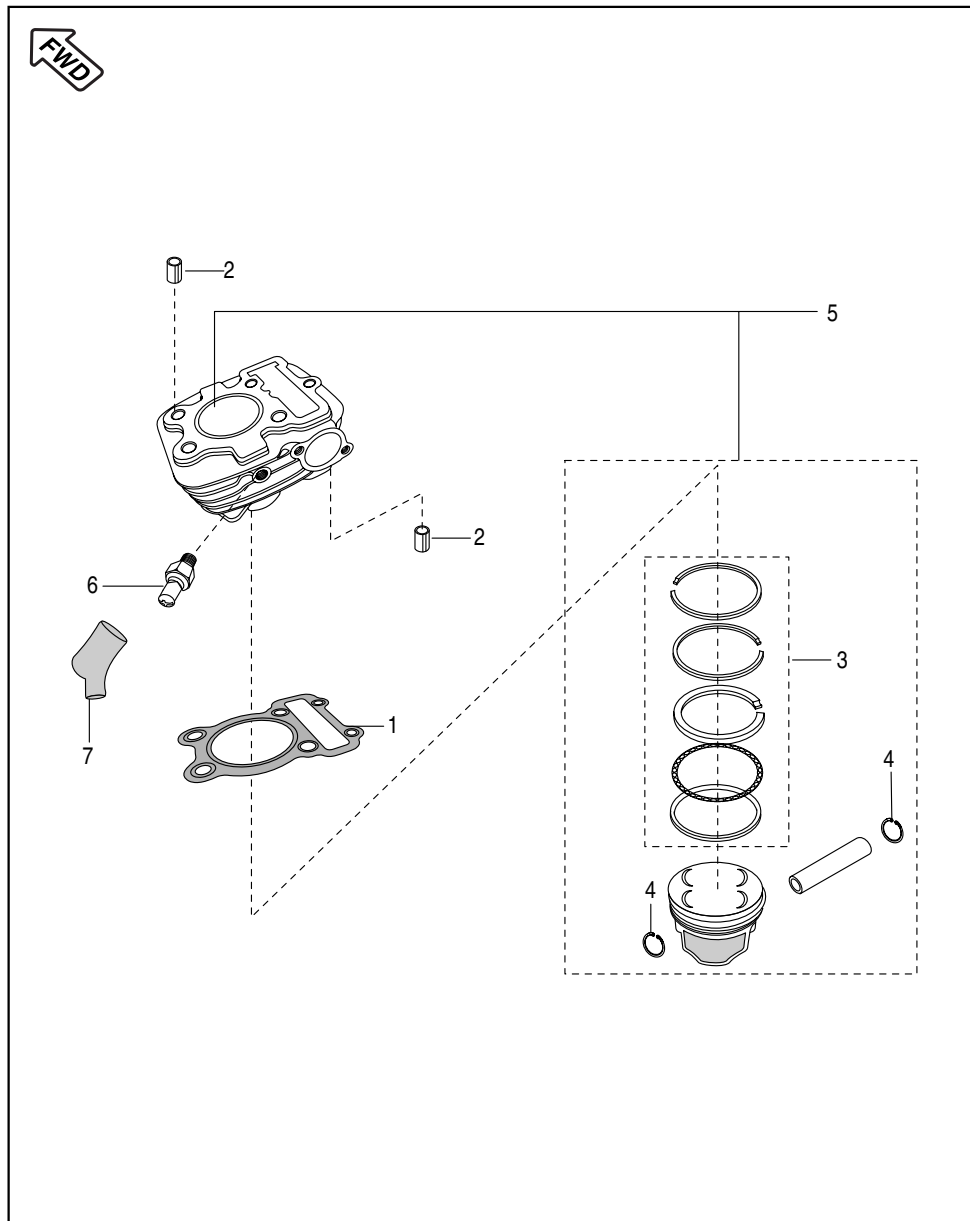
No.	Part No.	Description	Qty.	Remarks
1	JD 5112 09	Shaft Rocker Arm	2	
2	JD 5112 07	Rocker Arm with Roller	2	
3	DG 1010 29	Cotter Valve (Collet)	8	
4	JD 5112 01	Valve Intake	2	
5	JD 5112 02	Valve Exhaust	2	
6	36 JE00 01	Valve Repair Kit	2	Refer Page No.105
7	39 2017 19	Seal Valve Stem	4	

Camshaft / Tensioner



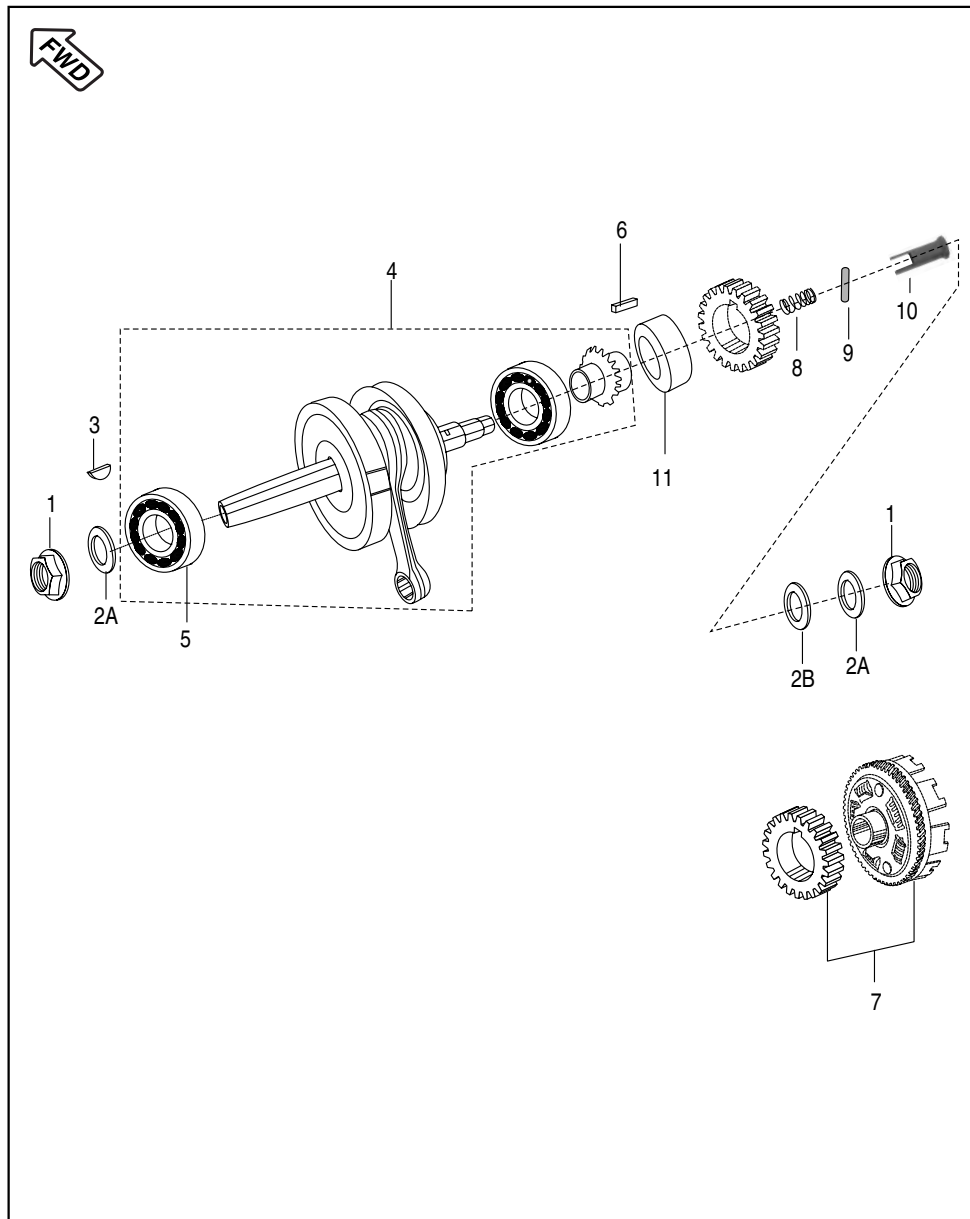
No.	Part No.	Description	Qty.	Remarks
1	JD 5112 11	Camshaft Complete	1	With Bearing
2	JA 5112 16	Spacer Cam Sprocket	1	
3	DS 1012 76	Sprocket Cam Shaft	1	
4	DH 1013 87	Pre-coated Socket Bolt M8 X 20	1	
5	DH 1010 48	Special Washer ('O' Washer)	1	
6	36 JE00 03	Guide Chain Kit	1	Refer Page No.105
7	DH 1013 92	Bolt Special	1	Mtg. Cam chain guide
8	JA 5210 17	Chain Tensioner (Black)	1	
9	CS 1011 28	Gasket	1	
10	DD 1010 62	Bolt Tensioner	1	
11	JA 5210 19	Flange Bolt M6 X 1 X 20 L	2	
12	39 0594 17	Circlip for Camshaft	1	
13	39 2669 21	'O' Ring (Tensioner)	1	
14	DS 1099 05	Cam Chain (94 Link)	1	

Cylinder and Piston



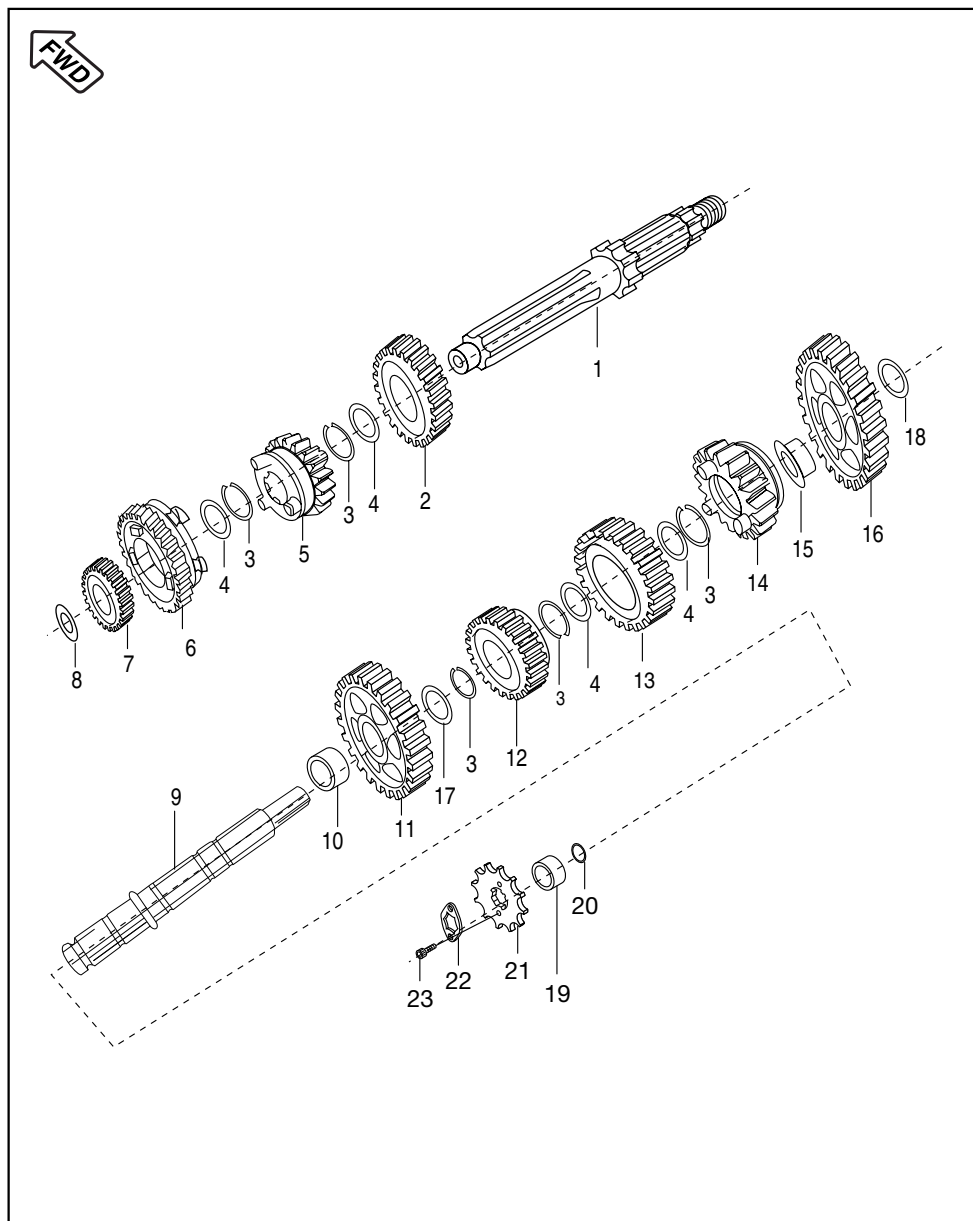
No.	Part No.	Description	Qty.	Remarks
1	JD 5210 02	Gasket Cylinder Block	1	
2	39 1000 06	Dowel Pin	4	
3	36 JE00 02	Piston Ring Set	1	Refer Page No.105
4	DP 1011 65	Wire Circlip	2	
5	36 JE00 12	Cylinder Block / Piston Assly.	1	Black Color
	52 JE00 16	Cylinder Block / Piston Assly.	1	Silver Color
6	JW 3514 00	Thermal Sensor	1	
7	JB 4022 02	Grommet for Thermal Sensor	1	

Crankshaft



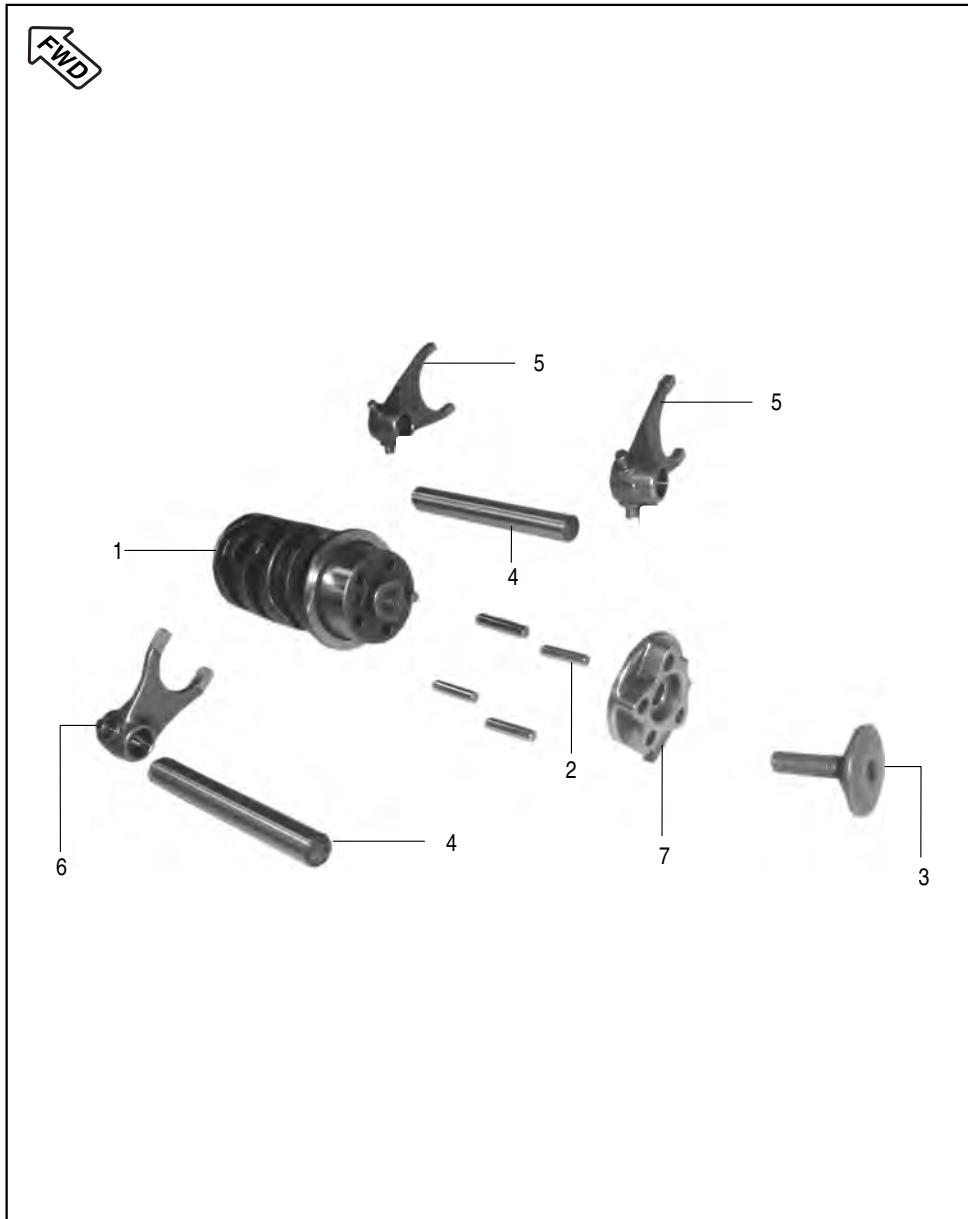
No.	Part No.	Description	Qty.	Remarks
1	59 1500 14	Flange Nut	2	
2A	59 1200 03	Belleville Washer	2	
2B	59 1100 08	Plain Washer	1	
3	31 1011 73	Woodruff Key	1	
4	JZ 53100 3	Crank Shaft Assembly	1	
5	JE 5310 01	Ball Bearing	1	
6	DS 1011 54	Parallel Key	1	
7	36 JE00 04	Set Primary Drive / Driven	1	Refer Page No.105
8	JA 531012	Spring	1	
9	JA 5310 15	Parallel Pin	1	
10	JB 5310 21	Plunger Oil	1	
11	JD 5310 04	Spacer Crankshaft Clutch Side	1	
12	JD 5410 00	Damper Crankshaft	1	N.I.

Transmission



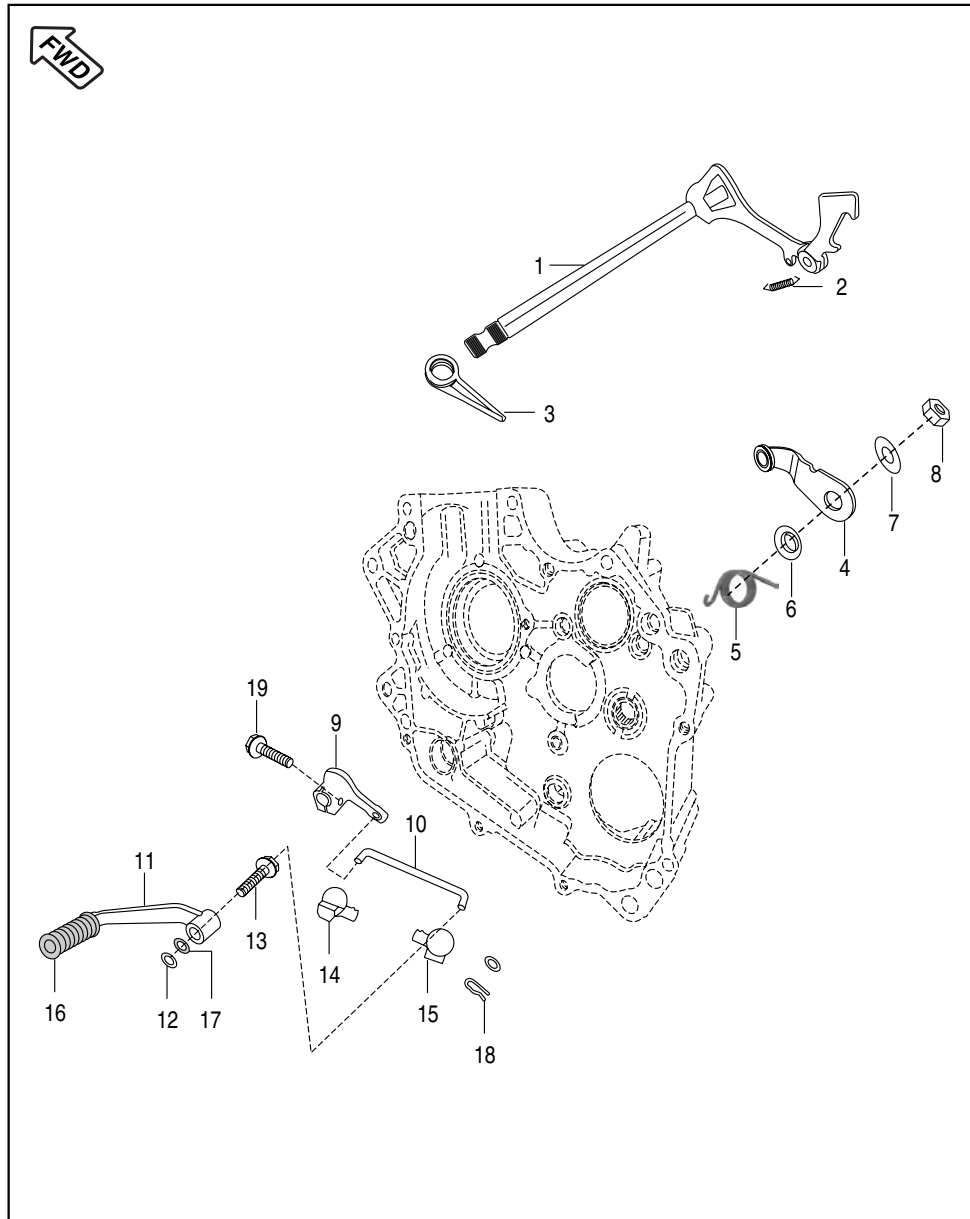
No.	Part No.	Description	Qty.	Remarks
1	JD 5510 00	Shaft Input Transmission	1	
2	JD 5512 07	Gear 4th Drive	1	
3	39 0987 17	Ring Snap	5	
4	JA 5510 02	Spline Washer	4	
5	JD 5512 06	Gear 3rd Drive	1	
6	JD 5512 05	Gear 5th Drive	1	
7	JD 5512 01	Gear 2nd Drive	1	
8	JA 5510 04	Washer Thrust 2nd Drive	1	
9	JV 5510 02	Shaft Output Transmission	1	
10	JD 5512 08	Bush 2nd Driven	1	
11	JD 5512 02	Gear 2nd Driven	1	
12	JD 5512 03	Gear 5th Driven	1	
13	JD 5512 04	Gear 3rd Driven	1	
14	JD 5512 00	Gear 4th Driven	1	
15	JZ 5512 05	Bush 1st Driven	1	
16	JZ 5512 04	Gear 1st Driven	1	
17	JD 5512 09	Spline Washer	1	
18	JA 5510 08	Washer Thrust 1st Driven	1	
19	JA 5510 09	Collar Sprocket Drive	1	
20	59 2100 24	'O' Ring Collar Sprocket	1	
21	JV 5510 00	Sprocket Drive (15 T)	1	
22	DU 1012 13	Plate Lock Sprocket	1	
23	39 1981 04	Socket Head Bolt	2	

Change Drum / Shift Fork



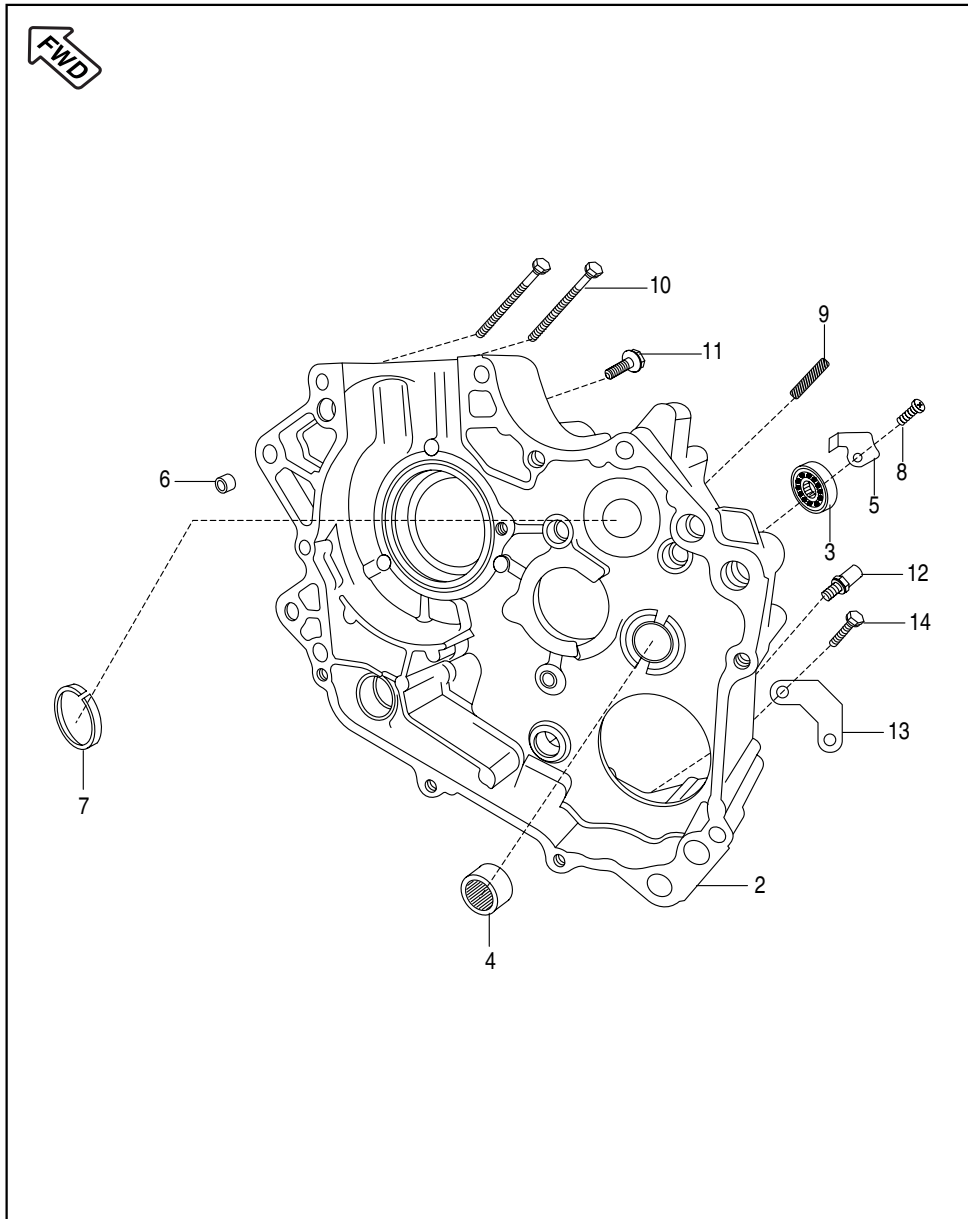
No.	Part No.	Description	Qty.	Remarks
1	JD 5610 01	Drum Complete Gear Shift	1	
2	39 0992 06	Dowel (Pin Drum Change)	4	
3	JD 5610 11	Special Bolt	1	
4	JD 5610 06	Shaft Gear Shift Fork	2	
5	JD 5610 04	Fork Gear Shift Output	2	
6	JD 5610 05	Fork Gear Shift Input	1	
7	JD 5610 02	Cam Drum Change	1	

Gear Change Mechanism



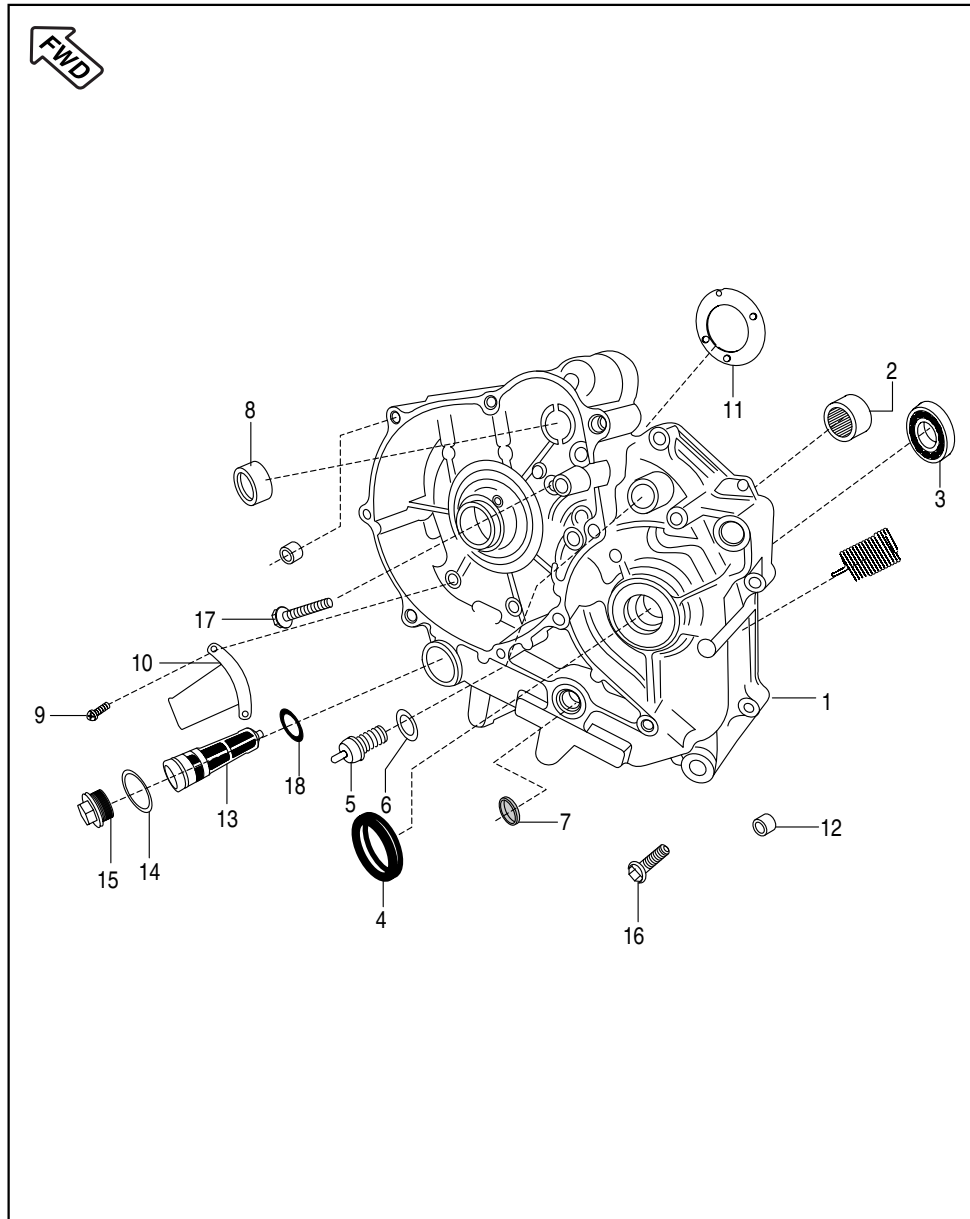
No.	Part No.	Description	Qty.	Remarks
1	JW 5612 05	Lever Complete Gear Shift	1	
2	JW 5612 06	Extension Spring	1	
3	JW 5612 08	Spring Gear Shift Return	1	
4	JD 5612 03	Inhibitor Complete Gear Shift	1	
5	JD 5612 04	Spring Inhibitor	1	
6	JA 5612 09	Step Washer (Collar)	1	
7	39 2704 11	Plain Washer	1	
8	39 0817 15	Nut	1	
9	JD 5614 11	Assembly Lever Change Arm	1	
10	JD 5614 13	Tie Rod	1	
11	JD 5614 14	Assembly Lever Complete Change	1	
12	JD 5614 16	Washer - Nylon	2	
13	JC 1910 09	Bolt Step	1	
14	JD 5614 17	Boot - Change Arm	1	
15	JD 5614 18	Boot - Change Lever	1	
16	DH 1015 09	Damper	1	
17	39 1998 19	Seal Oil	2	
18	39 0808 08	Split Pin	2	
19	39 1902 04	Bolt Flange	1	

Engine Assembly / Crankcase RH



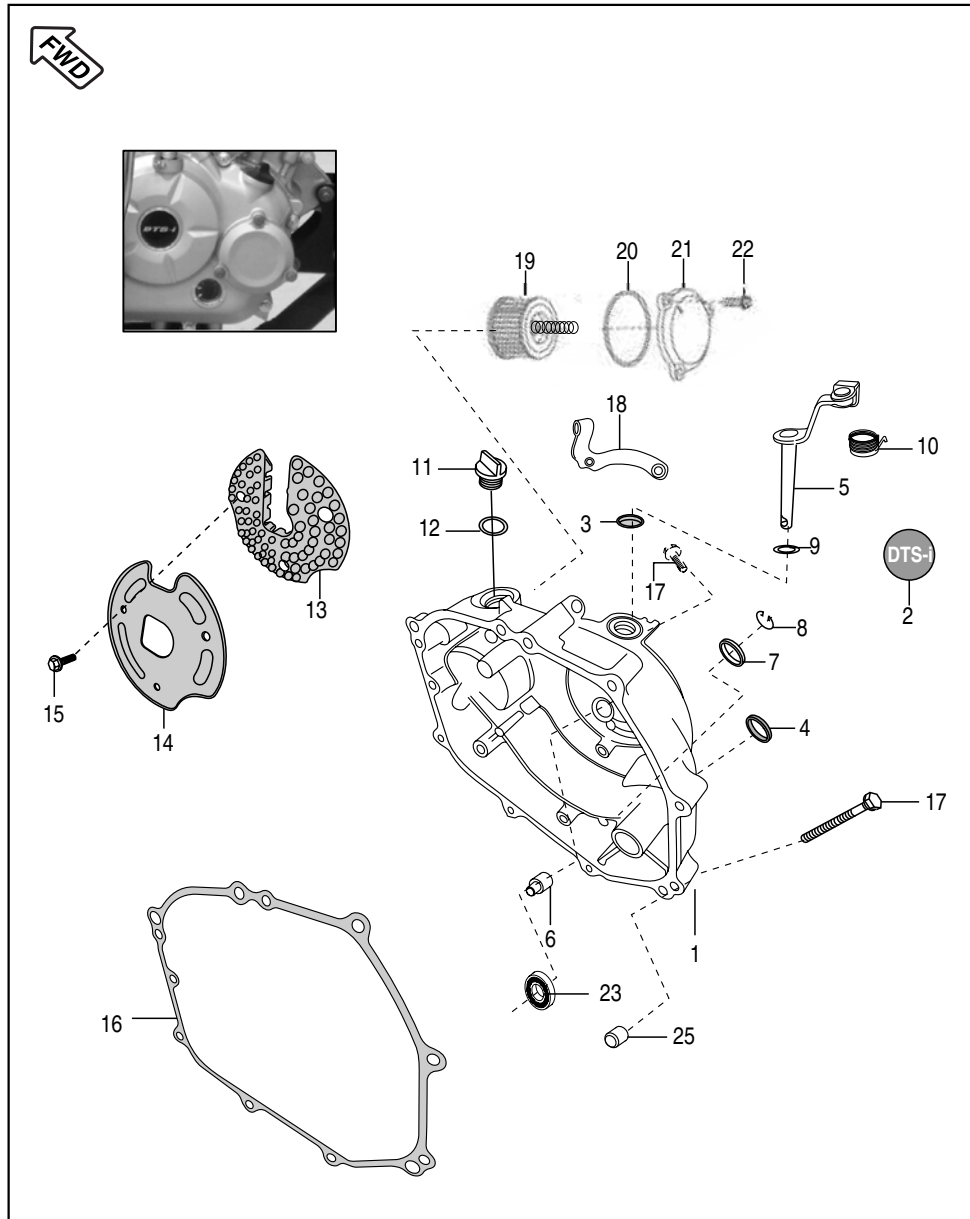
No.	Part No.	Description	Qty.	Remarks
1	JE 5010 01	Engine Assembly Silver	1	N.I.
	JE 5010 00	Engine Assembly Black	1	N.I.
	JE 5010 09	Engine Assembly Moonlight Silver	1	N.I.
2	52 JE00 12	Crankcase Clutch Side	1	Silver Color
	36 JZ00 09	Crankcase Clutch Side	1	Black Color(from 18.06.10) Ref. Page No. 109,
3	59 2000 36	Bearing Ball	1	For Input Shaft
4	JA 5410 11	Needle Roller Bearing	1	For Output Shaft
5	JA 5410 10	Stopper Plate	1	
6	39 0999 06	Dowel Pin	2	
7	DU 1010 85	Bushing	1	
8	DH 1013 80	Screw	1	
9	52 JA00 27	Stud Inhibitor Mounting	1	
10	JA 5412 35	Flange Bolt M6 X 1 X 85 L	2	
11	59 0400 38	Bolt Flange	1	Crankcase Mtg.
12	52 JA00 29	Bolt Shift Change	1	
13	JA 5410 12	Guide Kick	1	
14	39 1964 04	Hexagon Bolt	2	

Crankcase LH (Magneto Side)



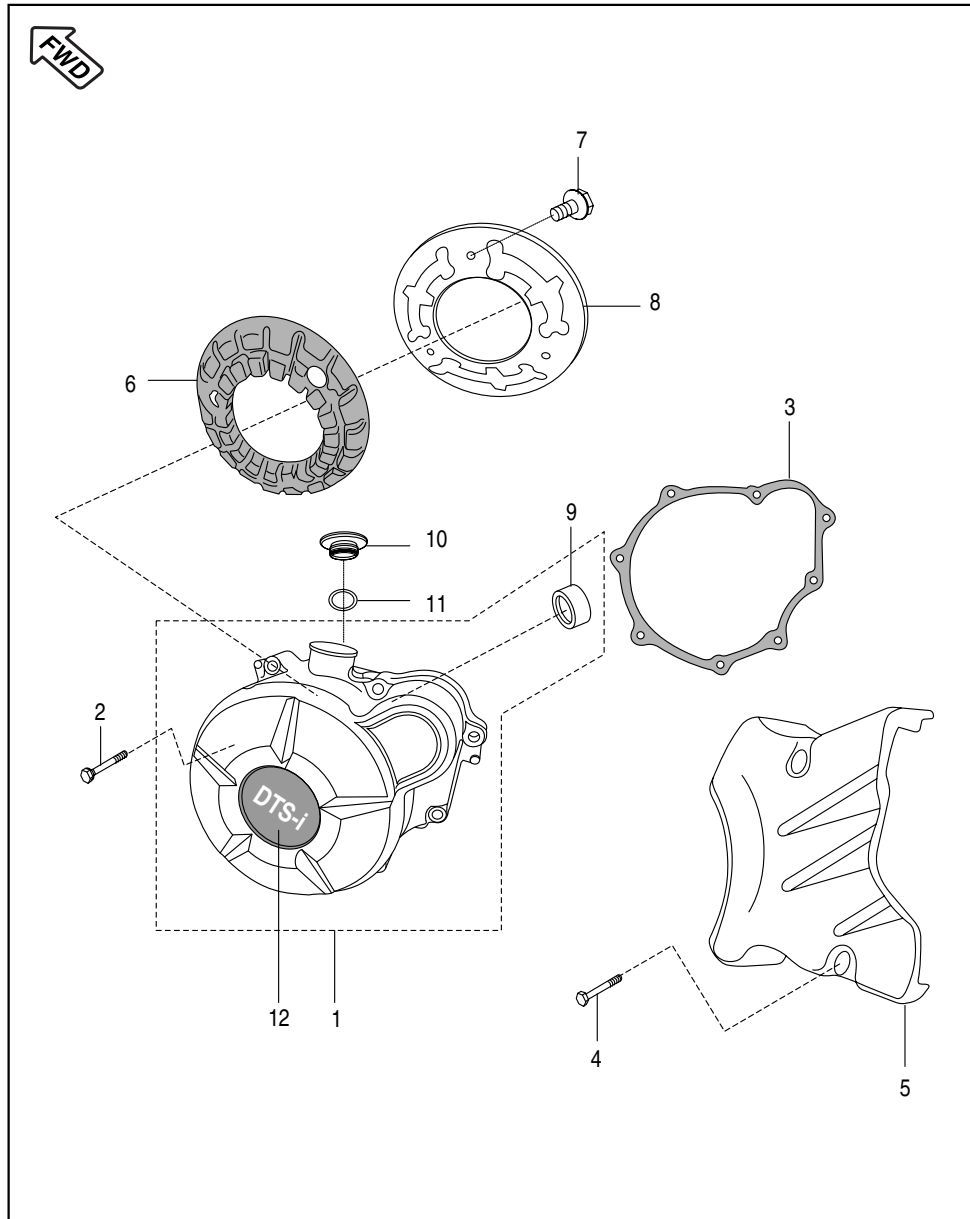
No.	Part No.	Description	Qty.	Remarks
1	52 JE00 13	Crankcase Magneto Side NRB + BUSH + Nozzle Oil Jet	1	Silver Color
	36 JZ00 11	Crankcase Magneto Side	1	Black Color (from 18.06.10) Ref. Page No. 109,
2	39 2562 20	Needle Roller Bearing	1	
3	59 2000 36	Ball Bearing	1	
4	39 1715 19	Seal Oil	1	Output Shaft
5	31 2010 81	Neutral Switch	1	
6	DH 1017 84	Gasket Neutral Switch	1	
7	39 2190 19	Oil Seal	1	Shifter Shaft
8	JA 5410 05	Bush Starter Clutch	1	Starter Clutch
9	39 0747 01	Pan Head Screw	2	
10	JA 5410 34	Stopper Gear Starter Clutch	1	
11	JA 5410 27	Damper	1	
12	39 0999 06	Hollow Dowel Pin	2	
13	JA 5410 19	Mesh Filter Oil strainer	1	
14	59 2100 23	'O' Ring Cap Strainer	1	
15	JA 5410 21	Cap Strainer	1	
	JE 5412 18	Cap Strainer (Moonlight Silver)	1	
16	59 0400 38	Bolt Flange	6	Crankcase Mtg.
17	39 1759 04	Bolt	1	Crankcase Mtg.
18	JA 5410 20	'O' Ring Mesh Filter Oil Strainer	1	

Cover Clutch



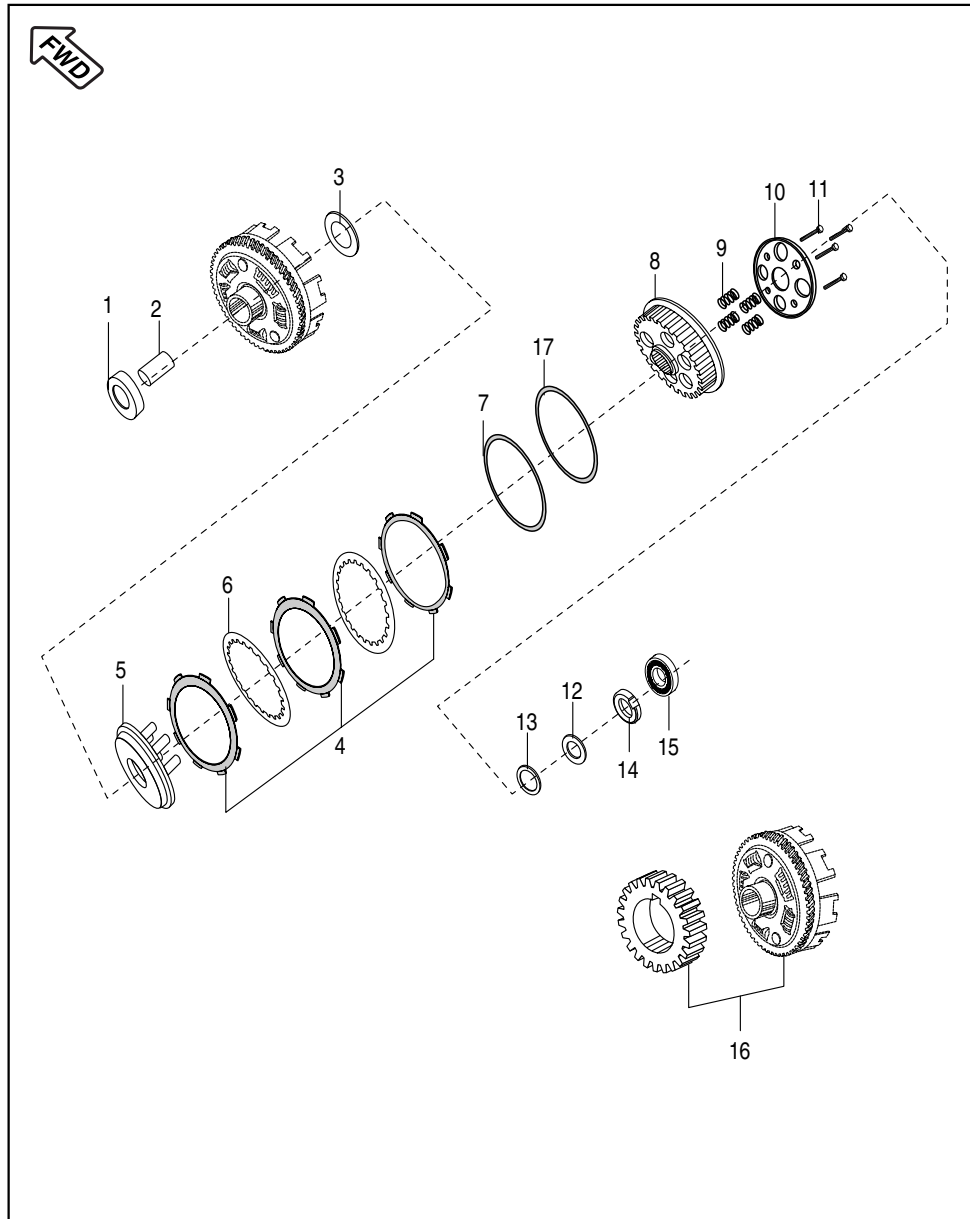
No.	Part No.	Description	Qty.	Remarks
1	52 JE00 18	Clutch Cover	1	Silver Color
	36 JZ00 13	Kit cover Clutch Complete	1	Black Color Ref. Page No. 109
	36 JD00 10	Kit cover Clutch Complete	1	Moon Light Silver
2	JE 5412 11	Decal Clutch Cover	1	
3	39 1041 19	Oil Seal Clutch Lever	1	
4	30 1011 42	Oil Seal (Kick Shaft)	1	
5	JV 5412 08	Shaft Clutch Release	1	
6	JE 5514 01	Rod Push	1	
7	DG 1014 18	Gauge	1	Oil Level Check
8	DS 1012 15	Wire Circlip	1	
9	JA 5412 36	Plain Washer (12.5X24X0.8)	1	
10	JA 5412 37	Spring Torsion Clutch Lever	1	
11	JA 5412 11	Cap Oil Filler	1	
12	JA 5412 25	'O' Ring Cap Oil Filler	1	
13	JE 5412 09	Damper	1	
14	JA 5412 16	Plate Damper	1	
15	LA D000 18	Bolt Flange	3	
16	JA 5412 12	Gasket Clutch Cover	1	
17	59 0400 38	Bolt Flange	8	Clutch Cover to Crankcase Mtg
18	JW 5410 00	Bracket Clutch Cable	1	
19	DD 1211 81	Oil Filter Element	1	
20	39 1671 21	'O' Ring	1	
21	JZ 5412 14	Cap Filter	1	
22	39 167304	Bolt Flange	3	
23	14 1510 33	Bearing Wheel Clutch Lifter	1	
24	39 0999 06	Pin Hollow Dowel	2	

Cover Magneto



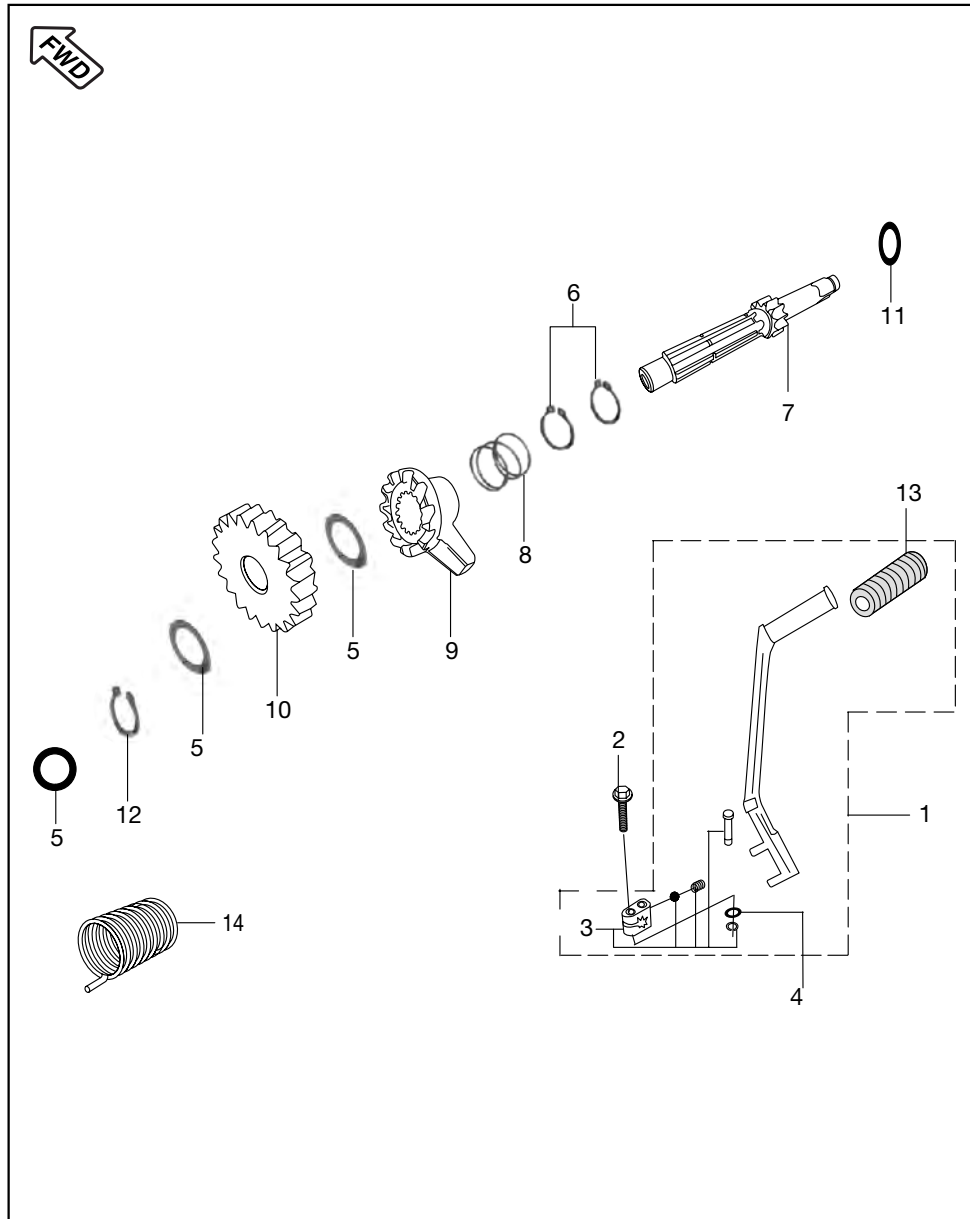
No.	Part No.	Description	Qty.	Remarks
1	52 JE00 17	Cover Magneto	1	Silver Color
	36 JZ00 15	Kit Cover Magneto	1	Black Color Ref. Page No. 109, Moon Light Silver
	36 JD00 09	Kit Cover Magneto	1	
2	39 1065 04	Bolt Flange	8	
3	JA 5412 05	Gasket Magneto Cover	1	
4	59 0400 38	Bolt	2	
5	JE 5412 07	Cover LH Rear Complete	1	Black Color
	52 JE00 49	Cover LH Rear Complete	1	Moon Light Silver
6	JE 5412 10	Damper Cover Magneto	1	
7	LA D000 18	Flanged Bolt	3	
8	JA 5412 21	Plate Damper Cover Magneto	1	
9	JA 5410 05	Bush	1	For Drive Gear Assly
10	JA 5412 33	Cap TDC Finder	1	
11	30 1011 95	'O' Ring	1	
12	JE 5412 12	Decal Magneto Cover	1	
13	DJ 1610 12	Gear Shift Label	1	

Clutch Assly



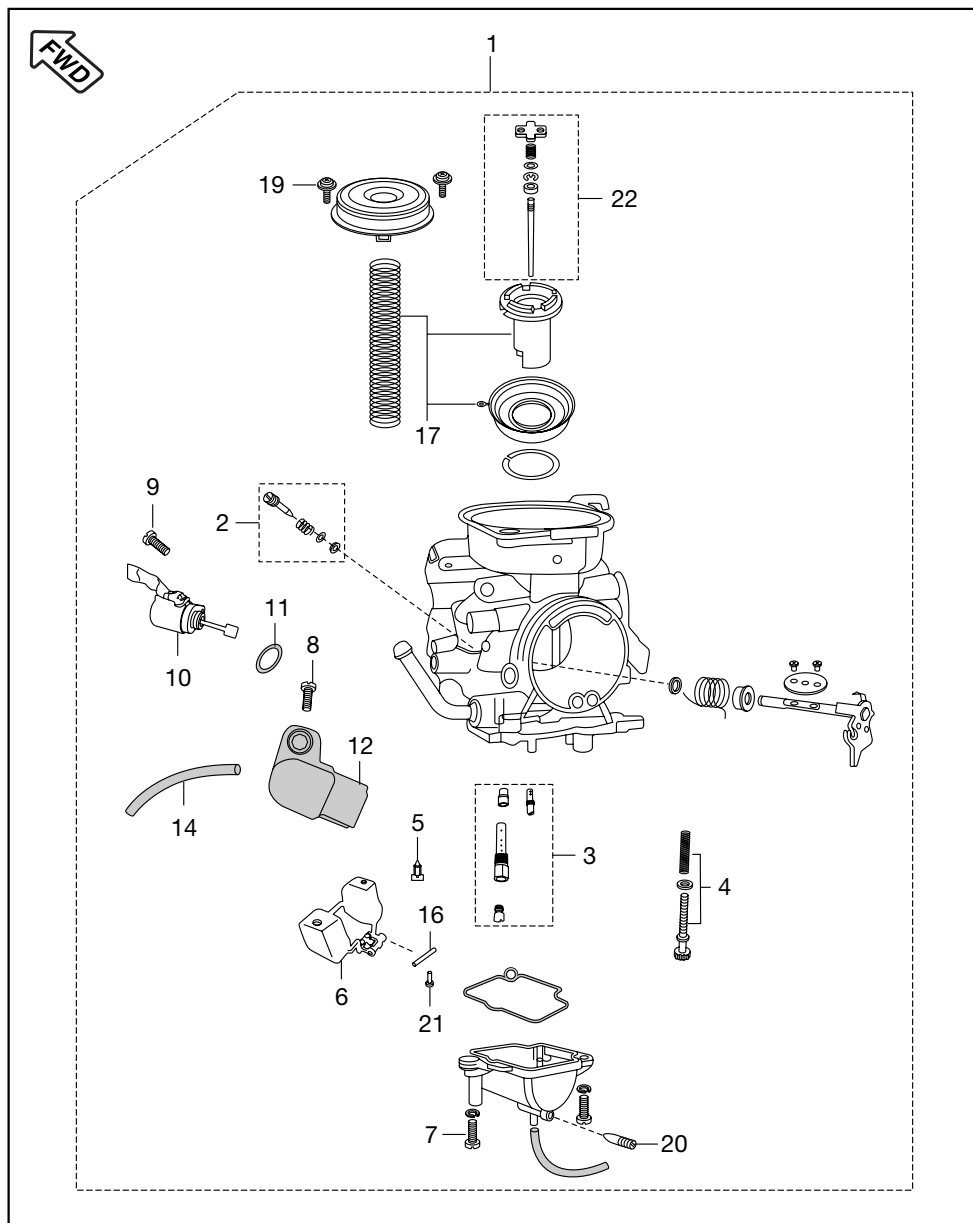
No.	Part No.	Description	Qty.	Remarks
1	JD 5514 00	Spacer Clutch Assely	1	'JD' Mark for I.D.
2	JA 5514 06	Collar Clutch	1	
3	39 2600 11	Washer	1	
4	36 JE00 05	Friction Plate Kit	1	
5	DP 1011 07	Wheel Clutch	1	
6	DP 1011 11	Plate Clutch	4	
7	JA 5514 22	Plate Judder Spring	1	
8	JE 5514 03	Hub Clutch	1	
9	JE 5514 04	Compression Spring	4	
10	JE 5514 05	Holder Clutch	1	
11	39 1553 04	Bolt Flange	4	
12	39 2200 11	Belleville Washer	1	
13	39 0240 11	Plain Washer	1	
14	DH 1016 48	Nut Special	1	L.H. Threads
15	14 1510 33	Bearing Clutch Lifter	1	
16	36 JE00 04	Set Primary Drive & Driven	1	Refer Page No. 105
17	DP 1011 14	Spring Anti Judder	1	
18	JE 5514 00	Clutch Assembly	1	

Kick Starter Mechanism



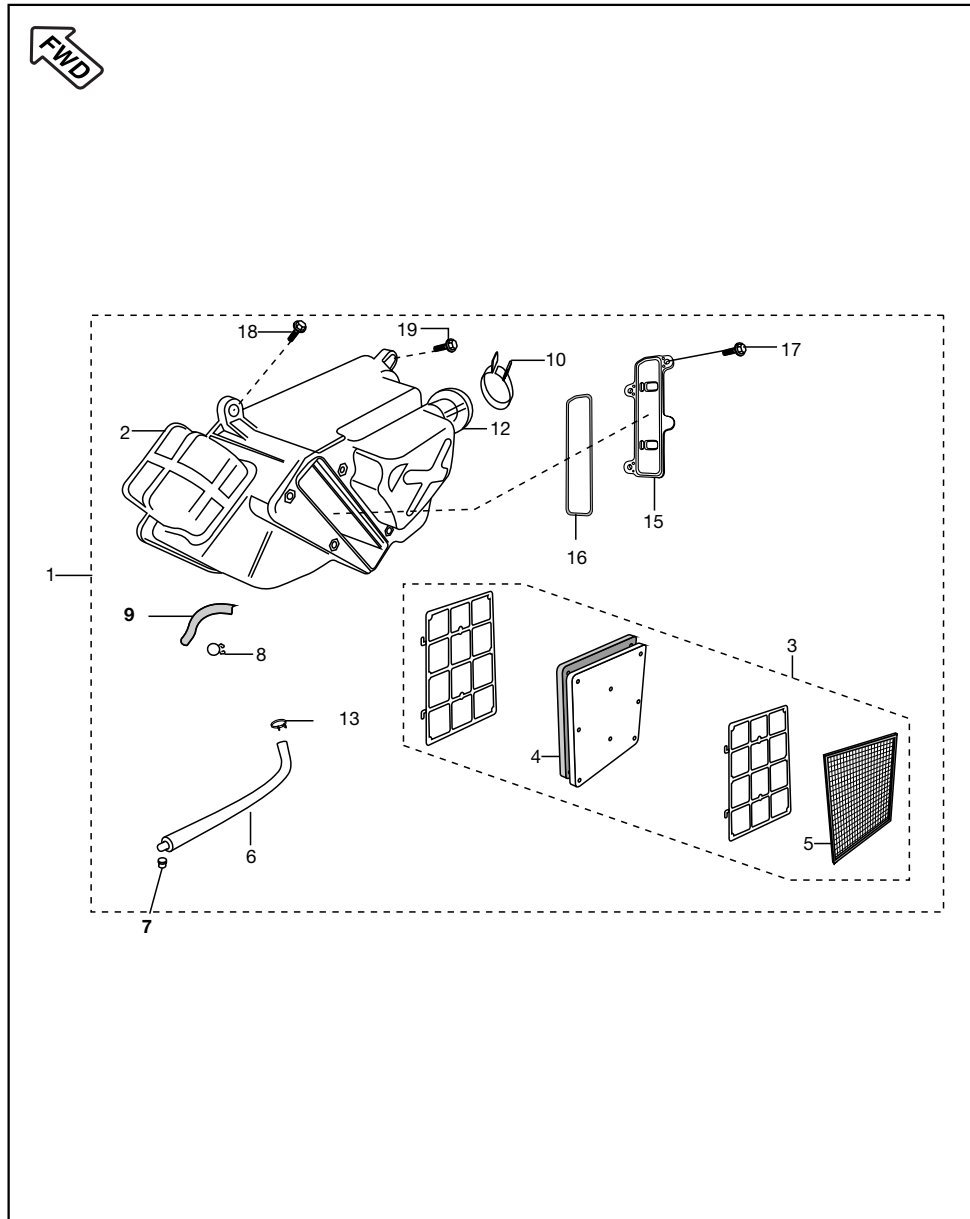
No.	Part No.	Description	Qty.	Remarks
1	JE 6212 00	Lever Assly Kick	1	
2	59 0400 25	Bolt Special	1	
3	36 DU10 07	Boss Kick Set	1	Refer Page No. 105
4	22 1502 41	Plain Washer	1	
5	39 0993 11	Plain Washer Small	3	
6	39 0738 17	Circlip Shaft	2	
7	JD 6210 01	Shaft Kick	1	
8	DS 1011 17	Spring Kick Starter	1	
9	JA 6210 02	Ratchet	1	
10	JZ 6210 00	Gear Spur Kick Start Assly.	1	
11	JA 6210 06	Washer Thrust	1	
12	39 2408 17	Circlip	1	
13	DD 1010 97	Kick Rubber	1	
14	JE 5410 08	Spring Kick Starter Return	1	

Carburettor



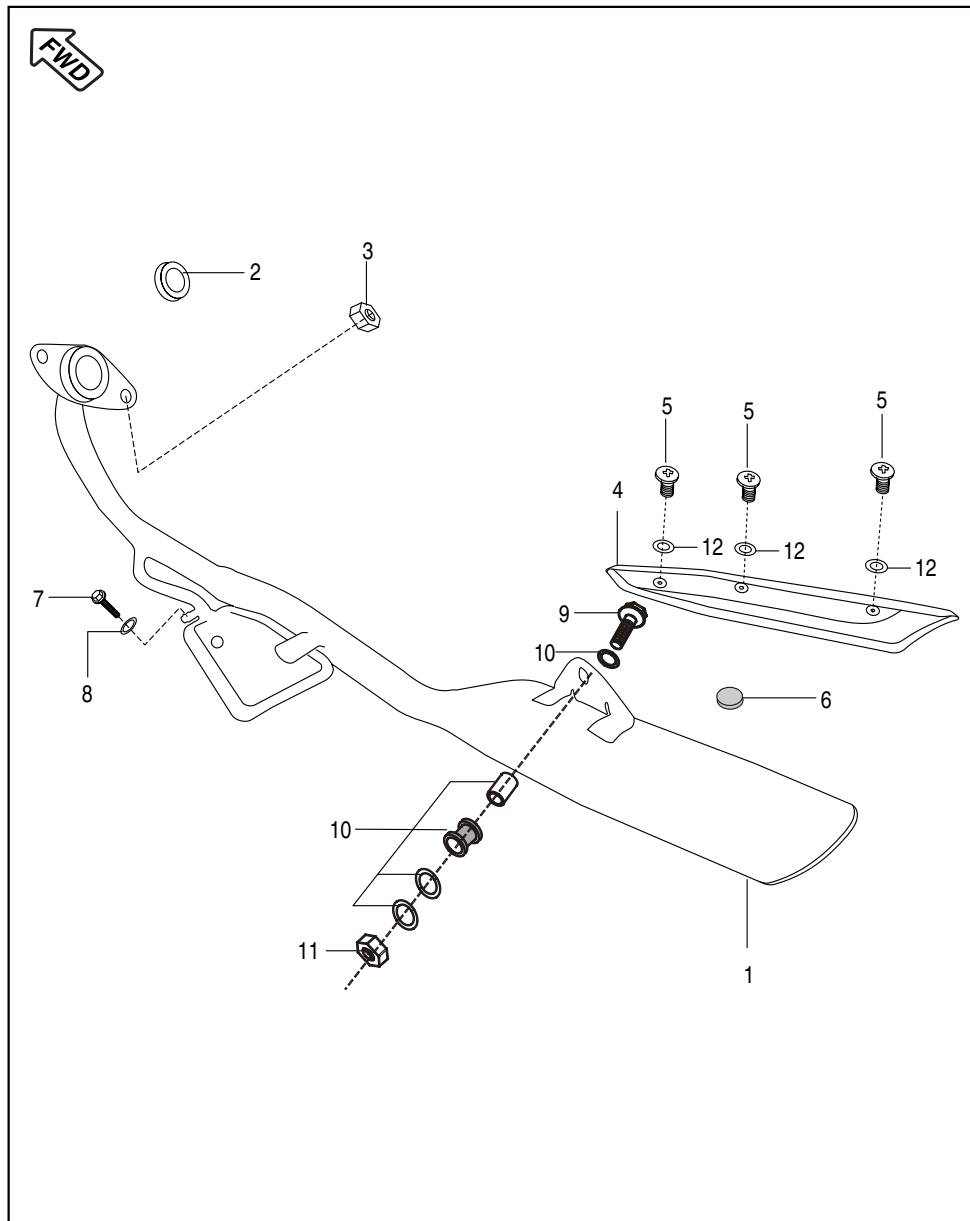
No.	Part No.	Description	Qty.	Remarks
1	JE 5812 00	Carburettor assly.	1	
	JE 5812 30	Carburettor assly. with TPS	1	from Ch. no. UCK00506
2	36 JD00 02	Air screw Kit	1	Refer Page No. 106
3	36 JD00 01	Jet Kit	1	Refer Page No. 106
4	DK 1210 41	Idling screw kit	1	Refer Page No. 106
5	DH 1210 93	Needle Valve Assly.	1	
6	DH 1210 59	Float complete	1	
7	DP 1210 67	Screw Float chamber	3	
8	JE 5812 20	Screw TPS	1	
9	JE 5812 22	Screw Solenoid choke	1	
10	JE 5812 21	Solenoid choke assly	1	
11	JE 5812 15	"O" ring solenoid choke	1	
12	JD 5812 02	Throttle position sensor	1	
13	JE 5812 25	"O" Ring (TPS)	1	N.I.
14	JE 5812 23	Tube Over Flow	1	
15	JE 5812 24	Tube Air Vent	1	N.I.
16	DH 1210 63	Float Pin	1	
17	36 JD00 04	Vacuum Piston Kit	1	Refer Page No. 106
18	36 JD00 05	Carburettor Gasket 'O' ring Kit	1	Refer Page No. 106
19	JE 5812 19	Screw for Diaphragm Cover	1	
20	JE 5812 18	Drain Screw	1	
21	DH 1210 64	Screw Needle Shaft	1	
22	36 JD00 06	Jet Holder Hardware Kit	1	Refer Page No. 106

Air Cleaner Complete



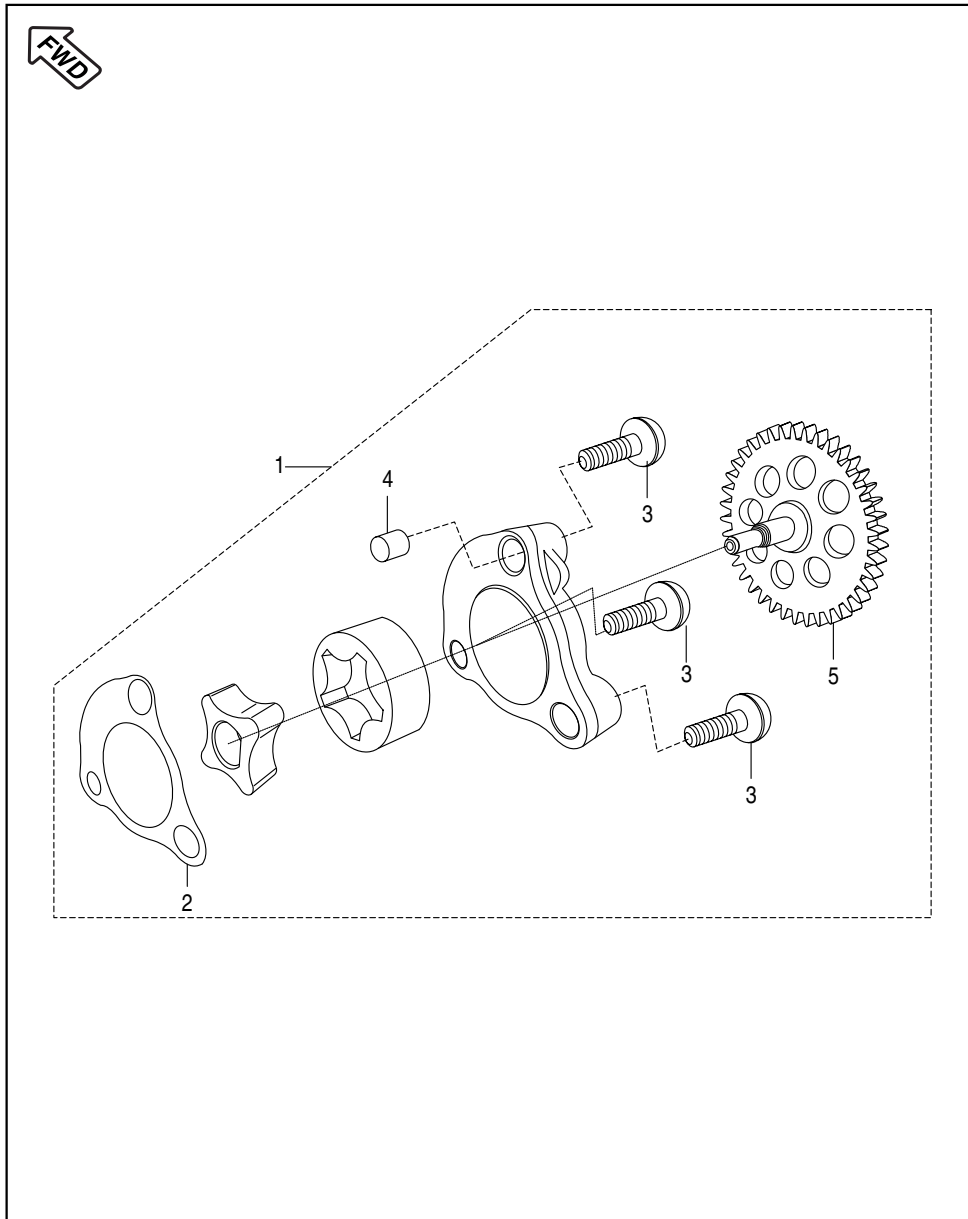
No.	Part No.	Description	Qty.	Remarks
1	JD 5810 05	Air Filter Assly	1	
2	JD 5810 01	Air Filter Duct	1	Intake
3	JA 5810 05	Assly Cartridge Air filter	1	
4	JA 5810 06	Element Air Filter	1	
5	JA 5810 09	Flame Arrester	1	
6	JA 5810 12	Tube Drain	1	
7	DS 1211 26	Plug	1	
8	DG 1210 02	Clamp	1	
9	JA 5110 11	Hose Breather	1	N.I.
10	DH 1210 38	Band Insulator	1	
11	JD 1110 12	Bracket Side Cover Mtg.	1	N.I.
12	JE 5810 00	Connecting Tube	1	
13	39 2754 04	Hex Head Bolt	2	
14	JD 5810 07	Filter Air Cover	1	
15	JA 5810 13	Cover Assembly Cartridge	1	
16	JA 5810 11	'O' Ring Cartridge Cover	1	
17	39 1773 04	Flange Bolt	4	For Cartridge Cover
18	JA 5210 19	Flange Bolt	2	
19	39 1677 04	Flange Bolt	1	

Silencer Assembly



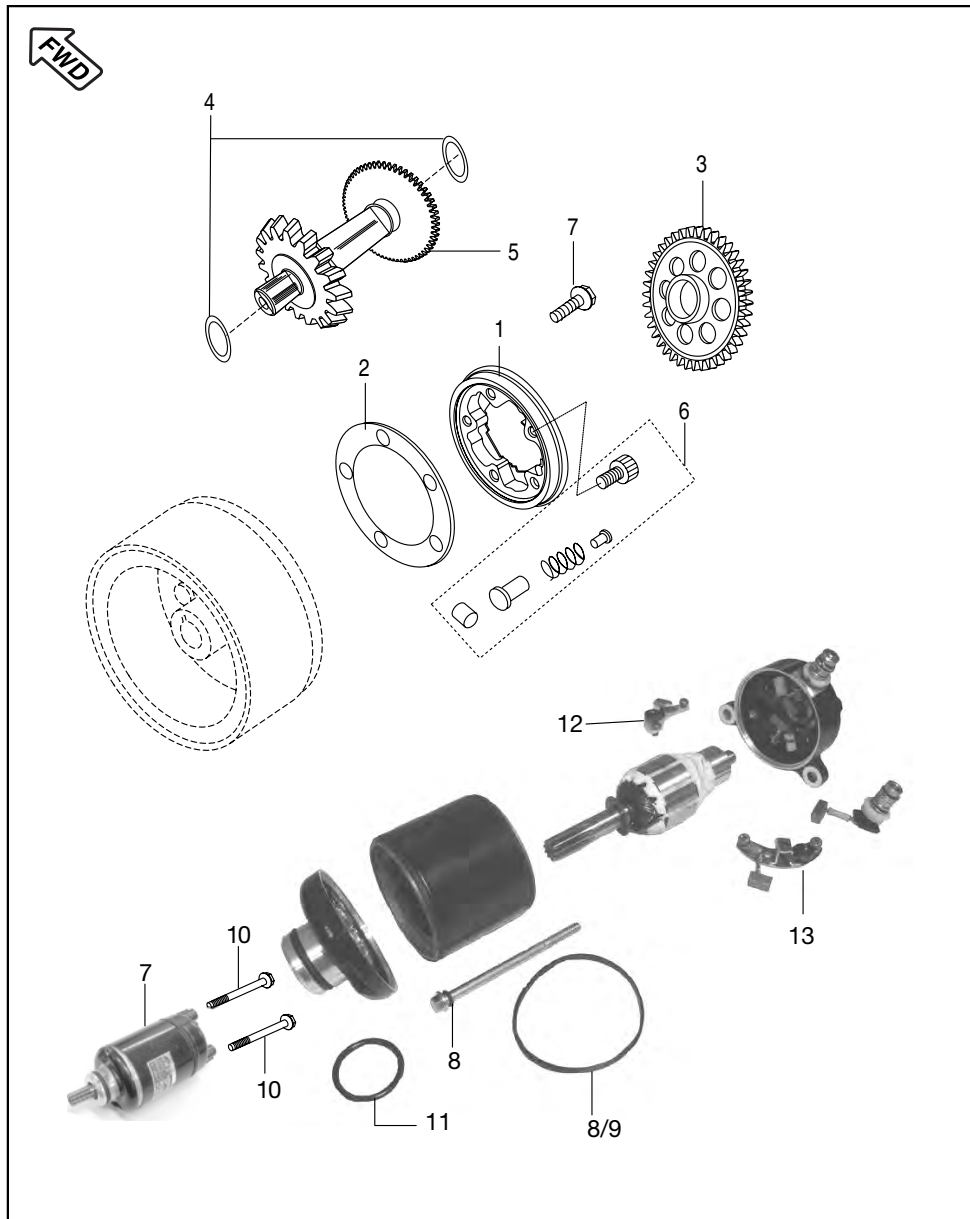
No.	Part No.	Description	Qty.	Remarks
1	JD 5910 56	Silencer Assly Without Shield	1	
	JD 5910 57	Assly. Silencer W/O Cat	1	
2	CB 1011 14	Gasket Exhaust Mounting	1	
3	JA 5910 40	Flange Nut	2	
4	JD 5910 26	Shield Silencer	1	
5	DH 1013 95	Truss Screw	3	
6	JW 5910 30	Grommet Shield	1	
7	39 2754 04	Bolt Hex with Flange M5	1	
8	39 2492 11	Plain Washer	1	
9	DK 1013 14	Bolt M10X 1.25	1	
10	36 DK00 09	Hardware Kit	2	Silencer Mtg.
11	DD 1610 71	U Nut M10X1.25	1	
12	DH 1013 01	Seal Shield Muffler	3	

Oil Pump



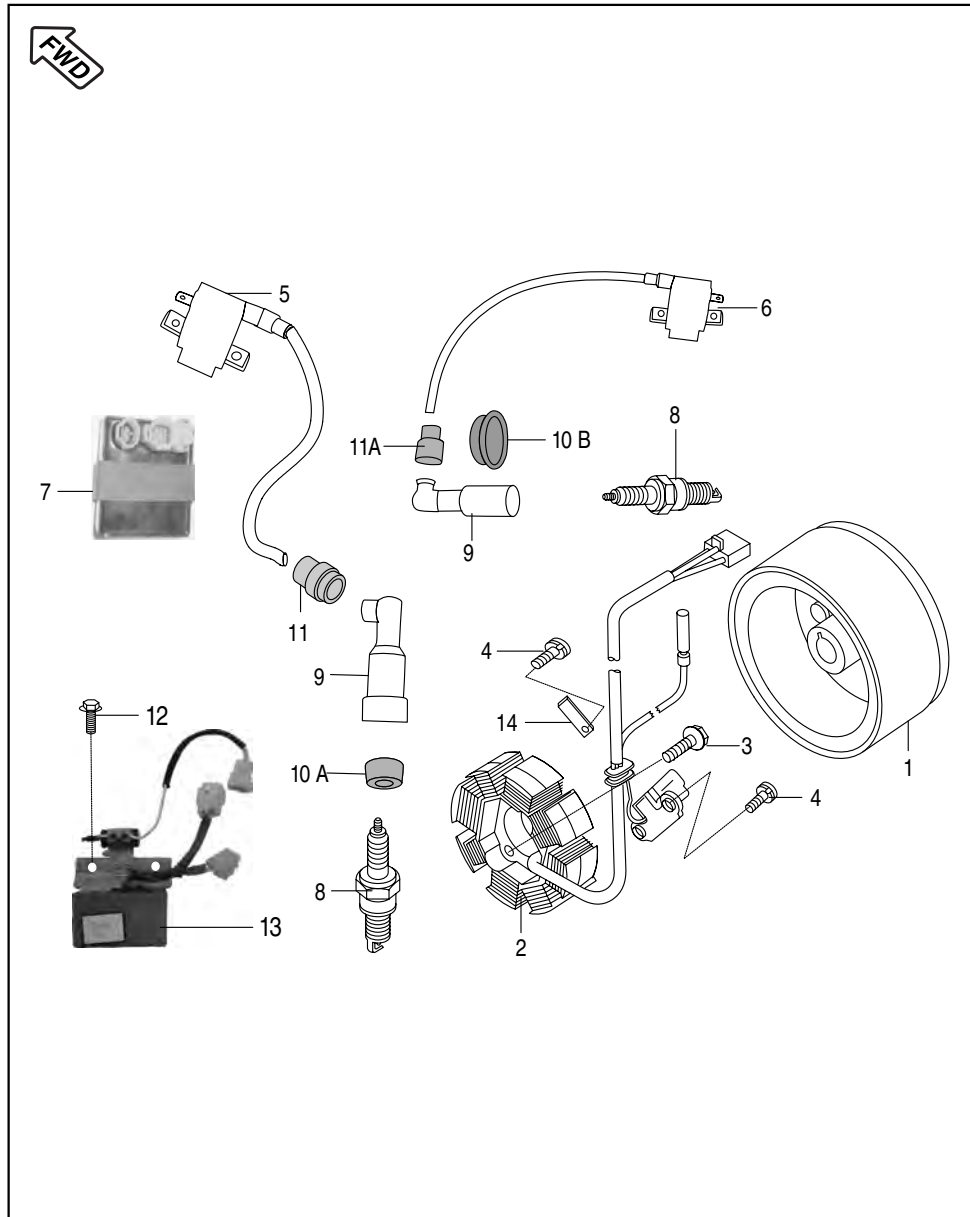
No.	Part No.	Description	Qty.	Remarks
1	52 JA00 23	Oil Pump Assly	1	
2	JA 5410 16	Gasket Case Oil Pump	1	
3	FD 1010 78	Pan Head Screw	3	
4	39 0992 06	Dowel	2	
5	JA 5410 18	Gear Driven + Shaft Oil Pump	1	

Starter Assembly



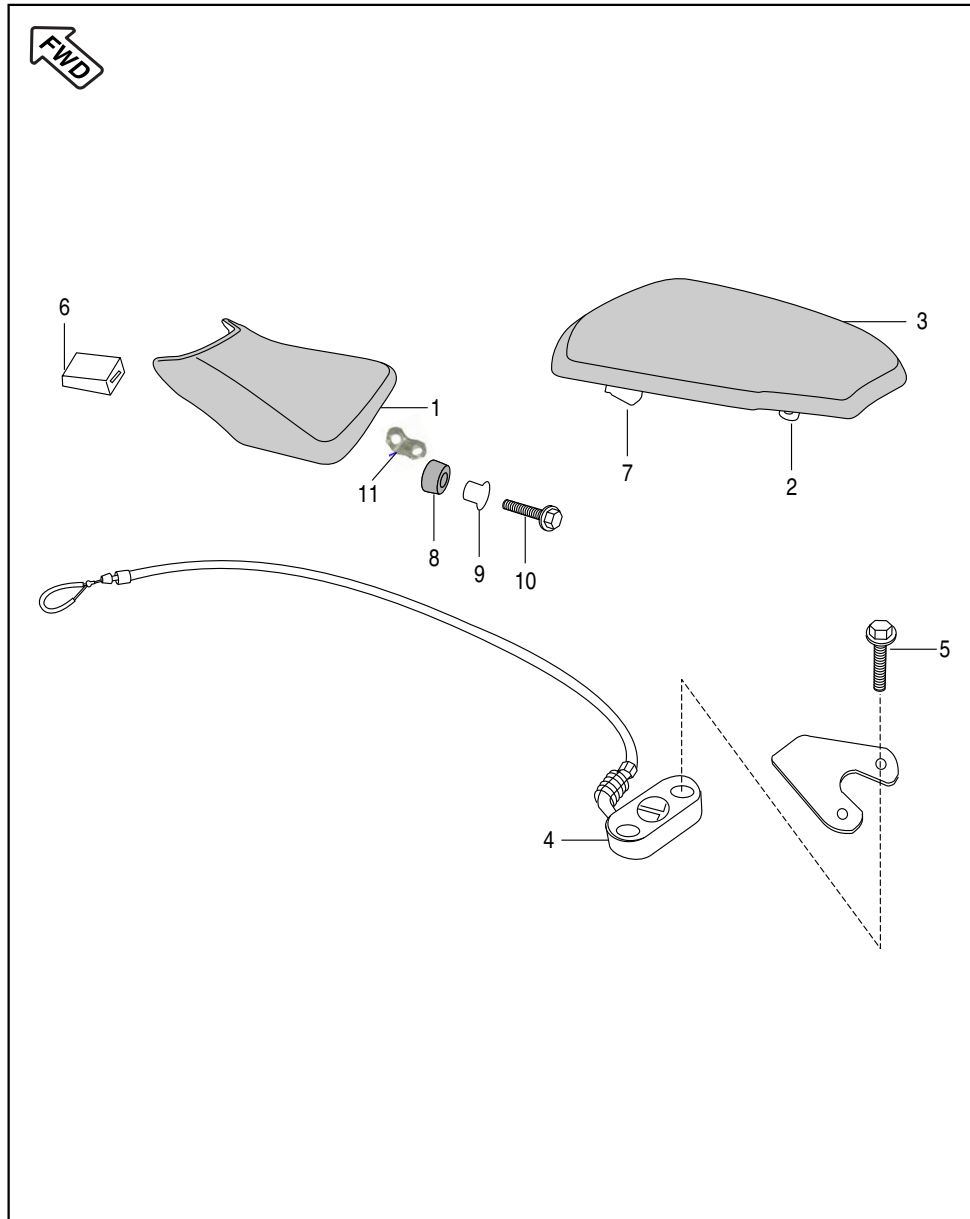
No.	Part No.	Description	Qty.	Remarks
1	JA 6214 14	Body Complete Starter Clutch	1	
2	DH 1017 81	Plate Roller Clutch	1	
3	JA 6214 10	Gear Starter Clutch	1	
4	JA 6214 02	Washer	2	
5	JA 6214 06	Drive Assly	1	
6	36 JW00 14	Starter Clutch Repair Kit	1	Refer Page No. 105
7	JA 3516 00	Motor Assly	1	
8	JA 3516 06	Sealing Ring (Flash)	1	
9	JA 3516 26	Sealing Ring (Lucas- TVS)	1	
10	39 1673 04	Flange Bolt	2	Motor Mounting Old
	JA 5210 19	Flange Bolt	2	Motor Mounting New
11	JA 3516 02	'O' Ring For Spigot (Flash)	1	
	JA 3516 27	'O' Ring For Spigot (Lucas- TVS)	1	
12	JA 3516 08	+ve Brush Holder Assly (Flash)	1	
13	JA 3516 09	-ve Brush Holder Assly (Flash)	1	
14	JA 3516 18	Brush and Earth Plate assly	1	N.I. (Lucas- TVS)
15	JA 3516 24	Brush Spring	1	N.I. (Lucas- TVS)
16	JA 3516 19	Terminal assly.	1	N.I. (Lucas- TVS)

Magneto, CDI & H.T. Coil



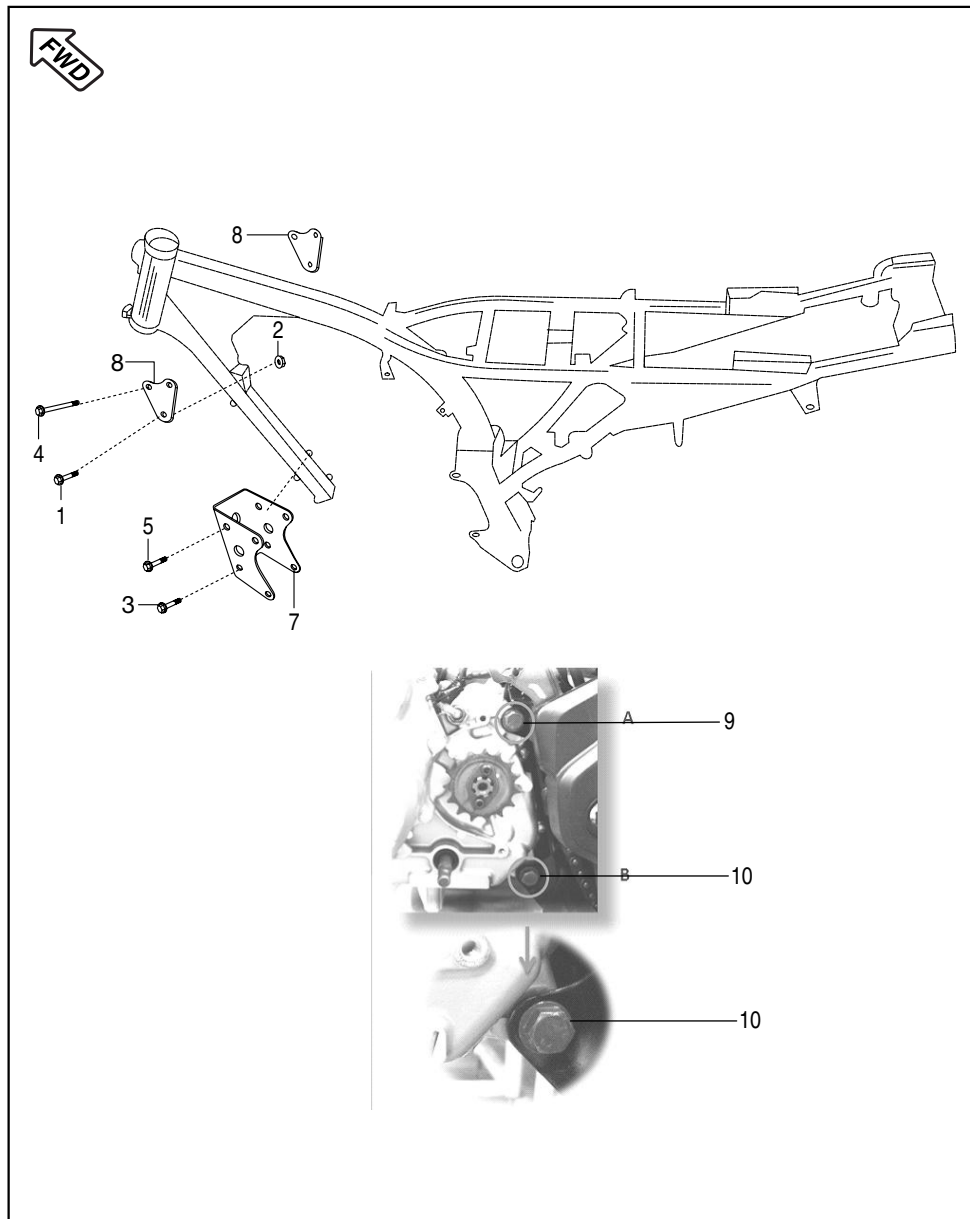
No.	Part No.	Description	Qty.	Remarks
1	JE 3510 02	Rotor Assly (ES)	1	
2	JP 3510 07	Stater Assly Complete	1	
3	39 1674 04	Bolt Flange	2	
4	39 0746 01	Pan Head Screw	3	For lock Plate & Pick Up Coil mtg.
5	JE 3512 03	H. T. Coil LH with Cap	1	
6	JE 3512 04	H T Coil RH with Cap	1	
7	JE 3512 00	C.D.I. Assly	1	
8	DD 1110 18	Spark Plug PRZ9 HC Or	2	
	CF 1110 19	Spark Plug Bosch UR4AC	2	
9	DD 1110 48	Spark Plug Cap LH	2	
	DH 1110 15	Spark Plug Cap RH	1	
10A	DD 1110 11	Grommet Spark Plug Cap LH	1	
10B	JD 3512 05	Grommet Spark - Plug Cap RH	1	
11	DD 1110 12	Grommet for HT Cable LH	1	
11A	DH 1110 13	Grommet for HT Cable RH	1	
12	39 1943 04	Bolt Flange	2	
13	JW 4020 01	DC Regulator with Capacitor	1	
14	JA 5410 28	Lock plate	1	
15	59 0400 14	Bolt Flange (N.I.)	4	For H.T. Coil Mounting

Seat Assembly / Seat Lock



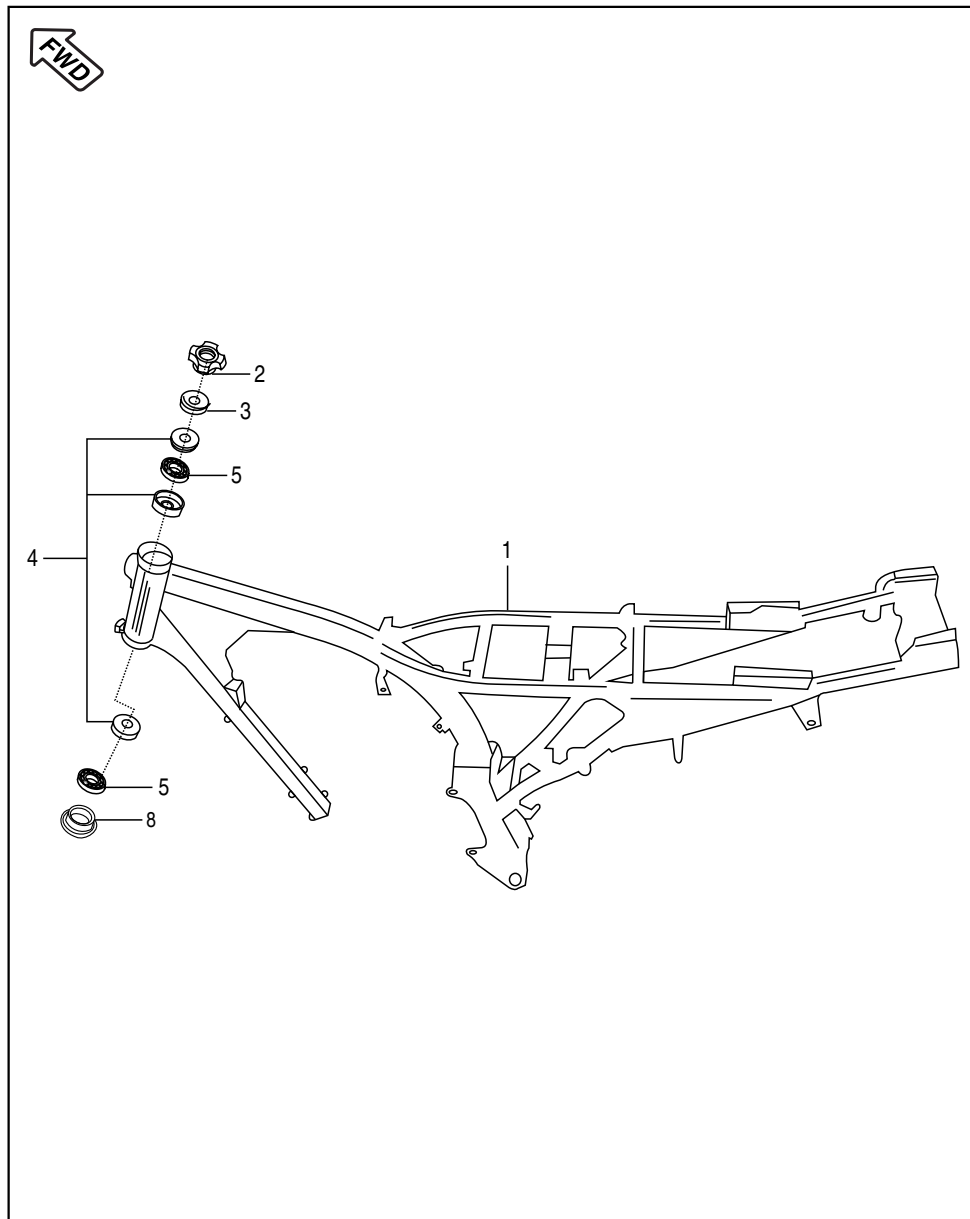
No.	Part No.	Description	Qty.	Remarks
1	JD 1910 12	Seat Assly Complete Front	1	
2	DS 2110 05	Damper	6	
3	JD 1910 03	Seat assly Complete Rear	1	
4	DK 2110 08	Lock Assly Seat Rear	1	
5	39 1902 04	Bolt Flange	2	
6	DK 2110 07	Damper Front	1	
7	JD 1910 06	Damper Round	2	
8	JD 1910 07	Grommet Rider Seat Mounting	1	
	DJ 1810 64	Grommet Rider Seat Mounting	1	From Chassis No. UCB61332
9	JD 1910 08	Collar Rider Seat Mounting	1	
	DJ 1810 29	Collar Rider Seat Mounting	1	From Chassis No. UCB61332
10	DJ 1810 77	Special Bolt M-6	1	
10A	KA DA06 18	Bolt	1	From Chassis No. UCB61332
11	JD 1138 07	Bracket Rider Seat Mtg	1	From Chassis No. UCB61332

Engine Mountings



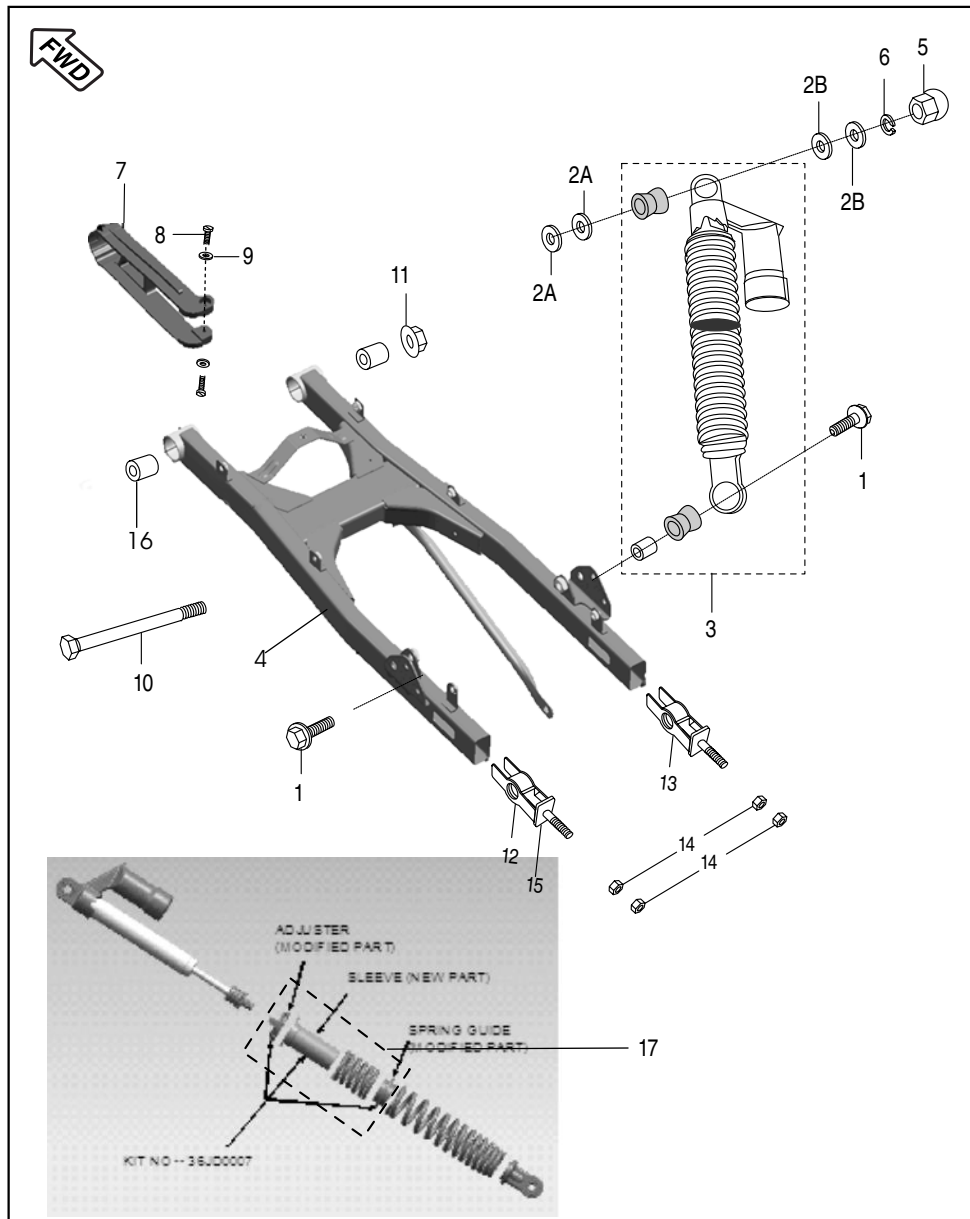
No.	Part No.	Description	Qty.	Remarks
1	JA 1134 03	Flange Bolt M10×10	2	
2	39 1970 15	Nut Flanged	7	
3	39 2312 04	Bolt Flanged	3	
4	39 2498 04	Bolt Flanged	1	
5	JA 1134 04	Bolt Flanged	3	
6	39 2723 15	Flanged Nut	2	
7	JA 1134 02	Bracket Complete Engine Front	1	
8	JD 1134 00	Engine Mounting Bracket Rear Top	2	
9	JA 1134 03	Engine Mtg Rear Bolt Top	1	
10	39 2702 04	Bolt Flange	1	

Frame and Frame Fittings



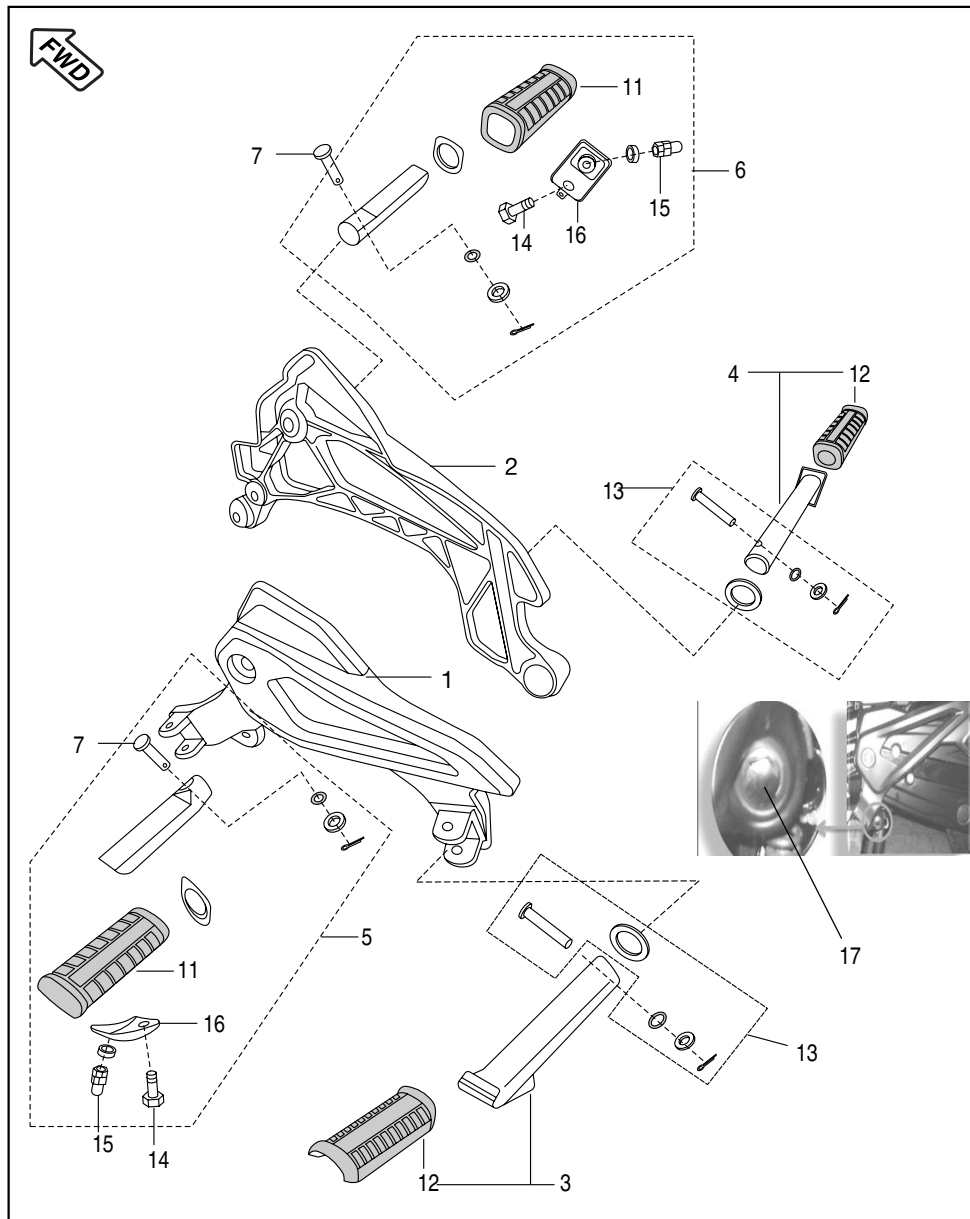
No.	Part No.	Description	Qty.	Remarks
1	JD 1110 54	Frame Assly. Comp.	1	
2	30 1810 11	Nut Fork	1	
3	DH 1810 14	Cup - Steering	1	
4	36 Ds18 02	Bearing Cone Kit	1	Refer Page No.105
5	36 3140 02	Ball Steel Cage Bearing	2	
6	DP 1710 06	Silent Bush	2	
7	JB 1110 33	Cap Rear Pipe	2	N.I.
8	30 1810 09	Bearing Cone	1	

Swing Arm / Rear Shock Absorber



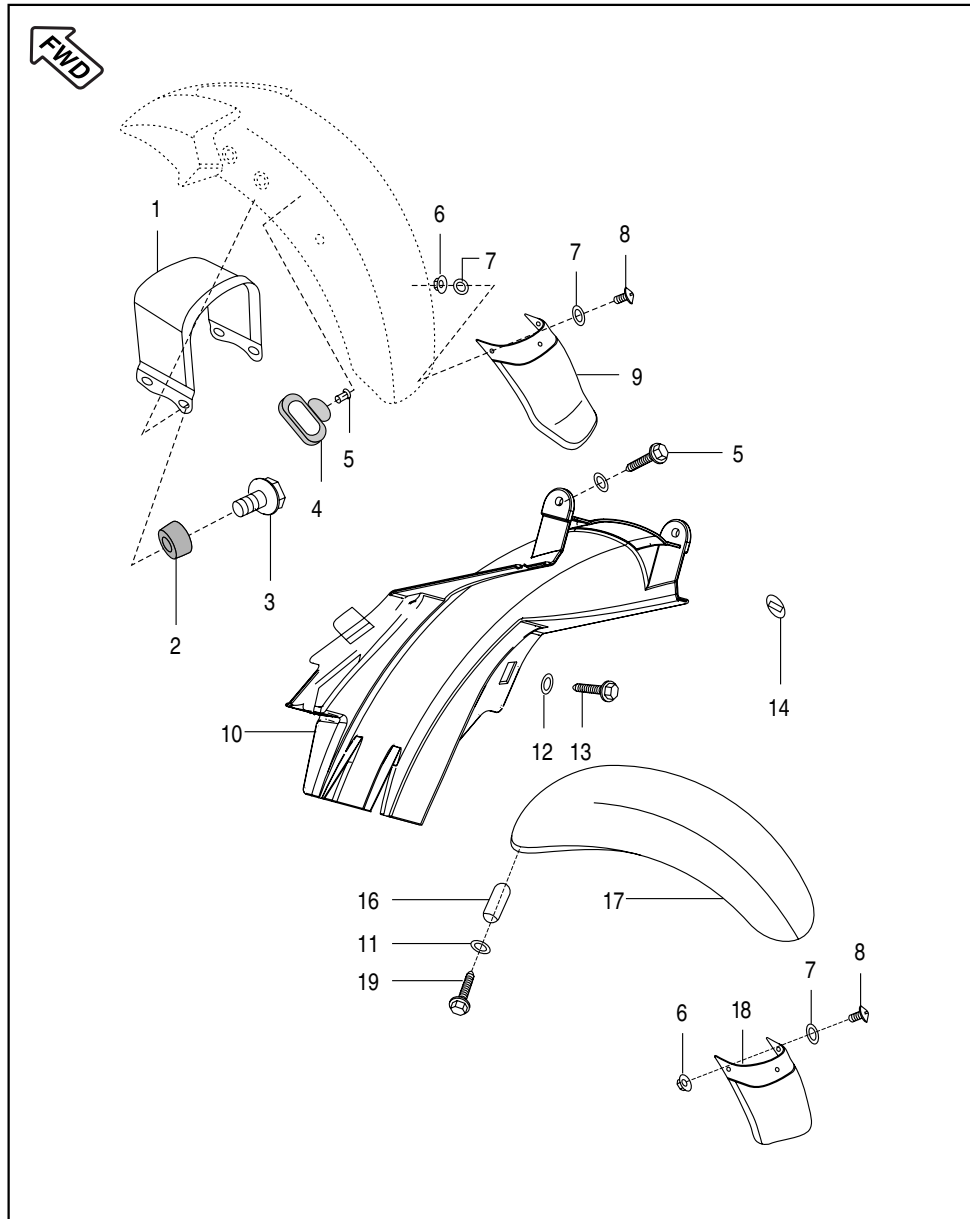
No.	Part No.	Description	Qty.	Remarks
1	JB 1220 16	Hex. Bolt/ Flange - M10	2	For RSA
2A	JB 1220 11	Plain washer	4	For RSA
2B	JB 1220 10	Plain Washer	4	
3	JD 1220 03	Rear Shock Absorber	2	
4	JD 1220 08	Swing Arm Assly. Complete	1	New
5	JB 1220 09	Domed Cap Nut	2	
6	39 2726 12	Spring Washer	2	
7	JD 1220 13	Chain Slider	1	
8	39 0553 02	Screw	2	For Chain Sider
9	39 0454 11	Plain Washer	2	For Chain Sider
10	JD 1220 02	Shaft Swing Arm	1	
11	JB 1310 19	U Nut M-12	1	
12	DJ 1510 36	Adjuster Chain LH	1	
13	DJ 1510 37	Adjuster Chain RH	1	
14	39 0292 15	Hexagon Nut	4	
15	DJ 1510 47	Plate Chain Adjuster	2	
16	DP 1710 06	Silent Bush	2	
17	36 JD00 07	Kit Adj RSA	2	

Pillion Foot Rest / Holder



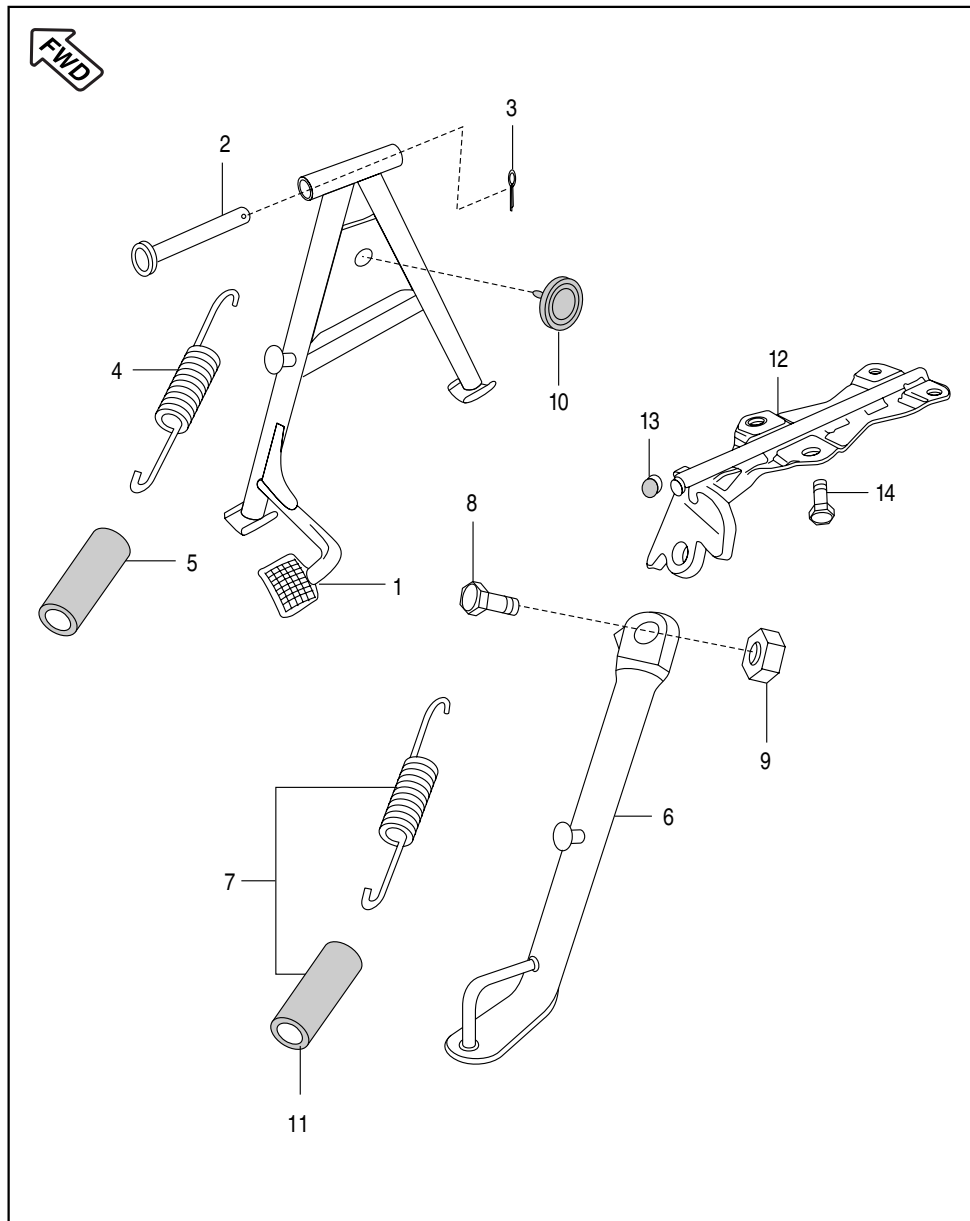
No.	Part No.	Description	Qty.	Remarks
		(For Alluminum Footrest)		
1	JD 1130 02	Holder LH Step	1	} Up-to 16.01.2010
2	JD 1130 03	Holder RH Step	1	
3	JD 1130 13	Pillion Footrest LH	1	
4	JD 1130 15	Pillion Footrest RH	1	
5	JD 1130 16	Rider Footrest LH	1	
6	JD 1130 17	Rider Footrest RH	1	
7	JD 1130 19	Pin Footrest	4	
8	JD 1130 24	Lock Plate Footrest	4	
9	JD 1130 14	Ball & Spring Assembly Footrest	4	
10	JD 1130 25	Damper Foot Rest	4	
1	JD 1130 26	Holder LH Step	1	} From -17.01.2010
	JD 1130 35	Holder LH Step (Moonlight Silver)	1	
2	JD 1130 27	Holder RH Step	1	
	JD 1130 36	Holder RH Step (Moonlight Silver)	1	
3	DJ 1611 28	Pillion Footrest LH	1	
4	DJ 1611 29	Pillion Footrest RH	1	
5	JD 1130 31	Rider Footrest LH	1	
6	JD 1130 32	Rider Footrest RH	1	
7	DH 1611 57	Pin Footrest	4	
11	DH 1610 53	Rubber - Main Step	2	
12	DJ 1611 22	Rubber - Pillion Step	2	
13	36 Dk00 13	Hardware Kit - Pillion Step	2	
14	22 1504 51	Screw	2	
15	39 1282 15	Nut-Domed Cap	2	
16	DH 1610 56	Plate Lower Main Step	2	
17	39 2582 04	Bolt Step Mtg Lower	2	

Mudguard - Front & Rear



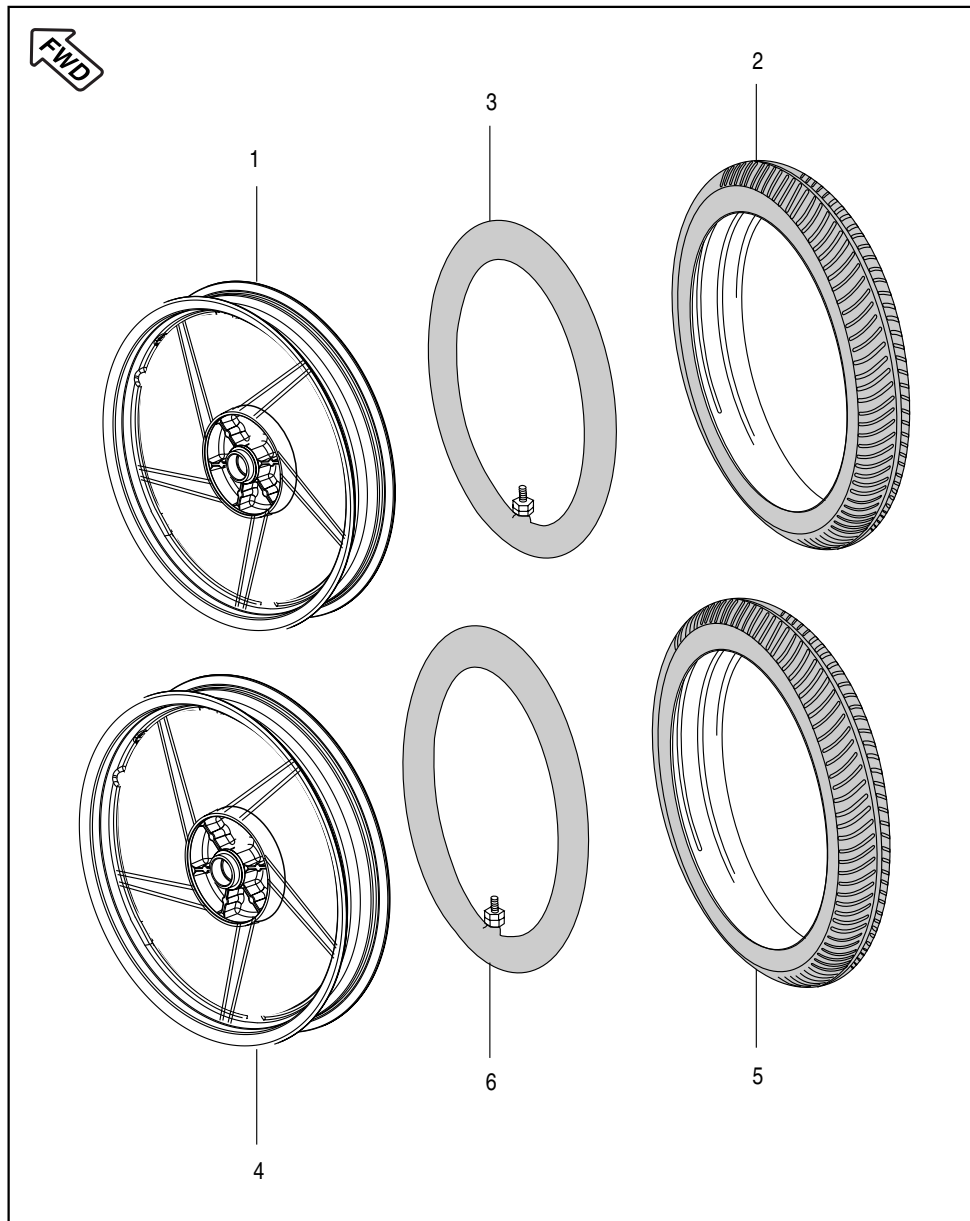
No.	Part No.	Description	Qty.	Remarks
1	JD 1814 01	Brace Fender	1	
2	DJ 1610 91	Grommet Front Fender	4	
3	DG 1810 08	Socket Bolt	4	Fender Front Mounting
4	DS 1611 25	Cable Guide	1	
5	DJ 1610 69	Nail for Cable Guide	1	
6	39 0326 15	Nyloc Nut	6	For Flap Front Fender & Hugger
7	39 0242 11	Washer	6	For Front Rear Fender Mounting
8	39 2420 01	Screw	6	
9	JD 1814 02	Flap Front fender	1	
10	JD 1810 03	Fender Rear Front	1	
11	39 0211 11	Washer Plain	7	Fender Mtg. & Hugger
12	39 1943 04	Flange Bolt	4	Fender Mounting
13	39 1912 04	Bolt M-6	1	
14	DL 1610 15	Grommet	2	For Seat Cowl
15	JD 1318 09	Hose Clamp	1	N.I.
16	JD 1814 05	Sleeve Hugger Mounting	2	
17	JD 1814 04	Hugger	1	
18	JD 1814 09	Mud Flap Fender Rear	1	
19	39 2060 04	Bolt M-6 Hugger Mounting	2	
20	JD 1810 00	Flap LH	1	N.I.
21	JD 1810 01	Flap RH	1	N.I.
22	JD 1810 02	Foam Strip	1	N.I.

Stand Assembly



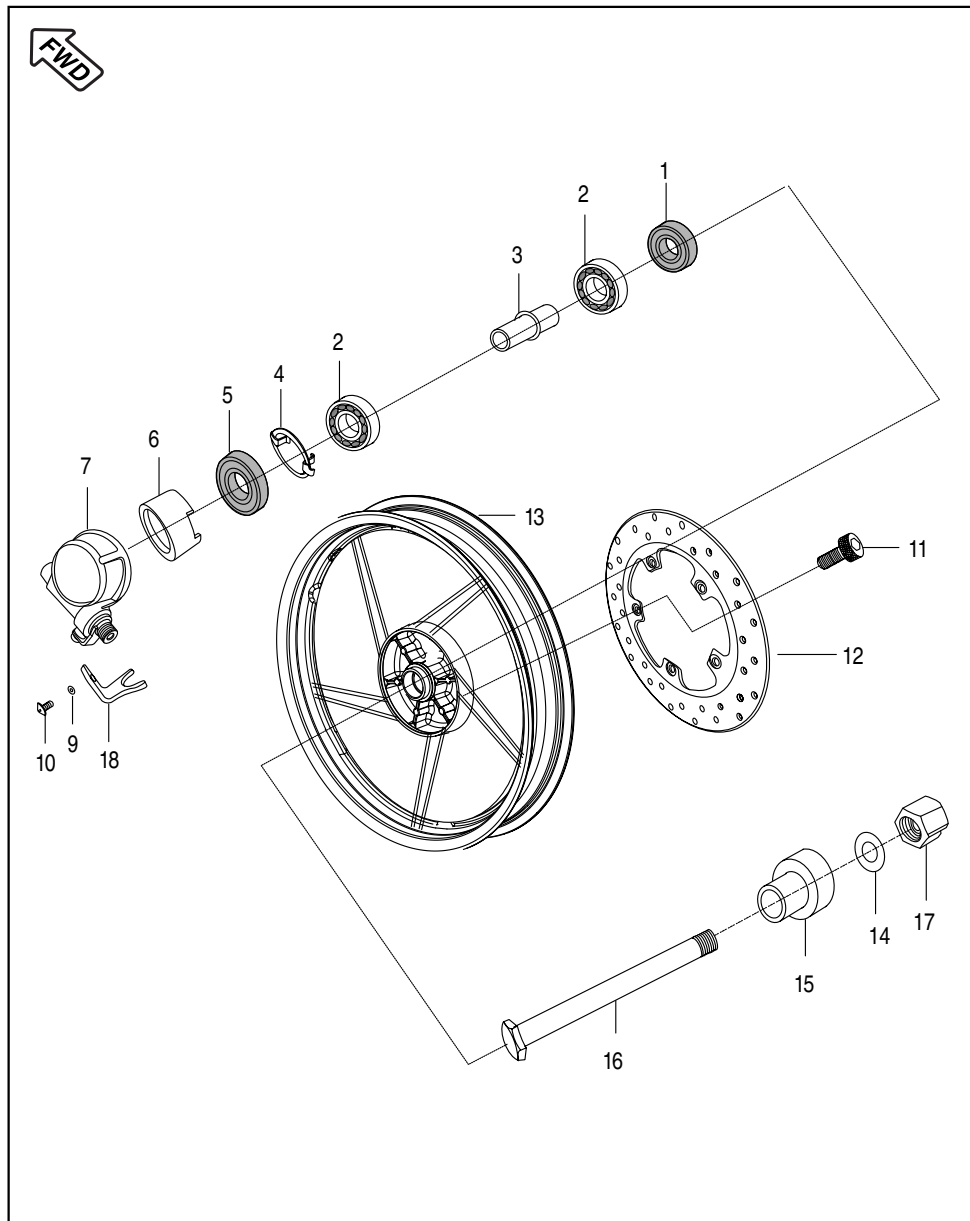
No.	Part No.	Description	Qty.	Remarks
1	JW 1132 00	Center Stand	1	
2	JA 1132 01	Shaft Stand	1	
3	39 0797 08	Pin Cotter	1	
4	DH 1612 39	Spring Main Stand	1	
5	DH 1611 45	Cover Spring Main Stand	1	
6	JD 1132 00	Stand Side	1	
7	DH 1612 40	Spring Side Stand with Cover	1	
8	DF 1611 02	Bolt	1	
9	39 0422 15	Nut	1	
10	DG 1611 24	Damper Main Stand	1	
11	DH 1611 46	Cover Side Stand Spring	1	
12	JD 1132 01	Side Stand Mounting Bracket	1	
13	DH 1613 09	Plug Side Stand Mounting Bolt	2	
14	JA 1130 11	Flange Bolt M-8	4	

Tube / Tyre / Rim



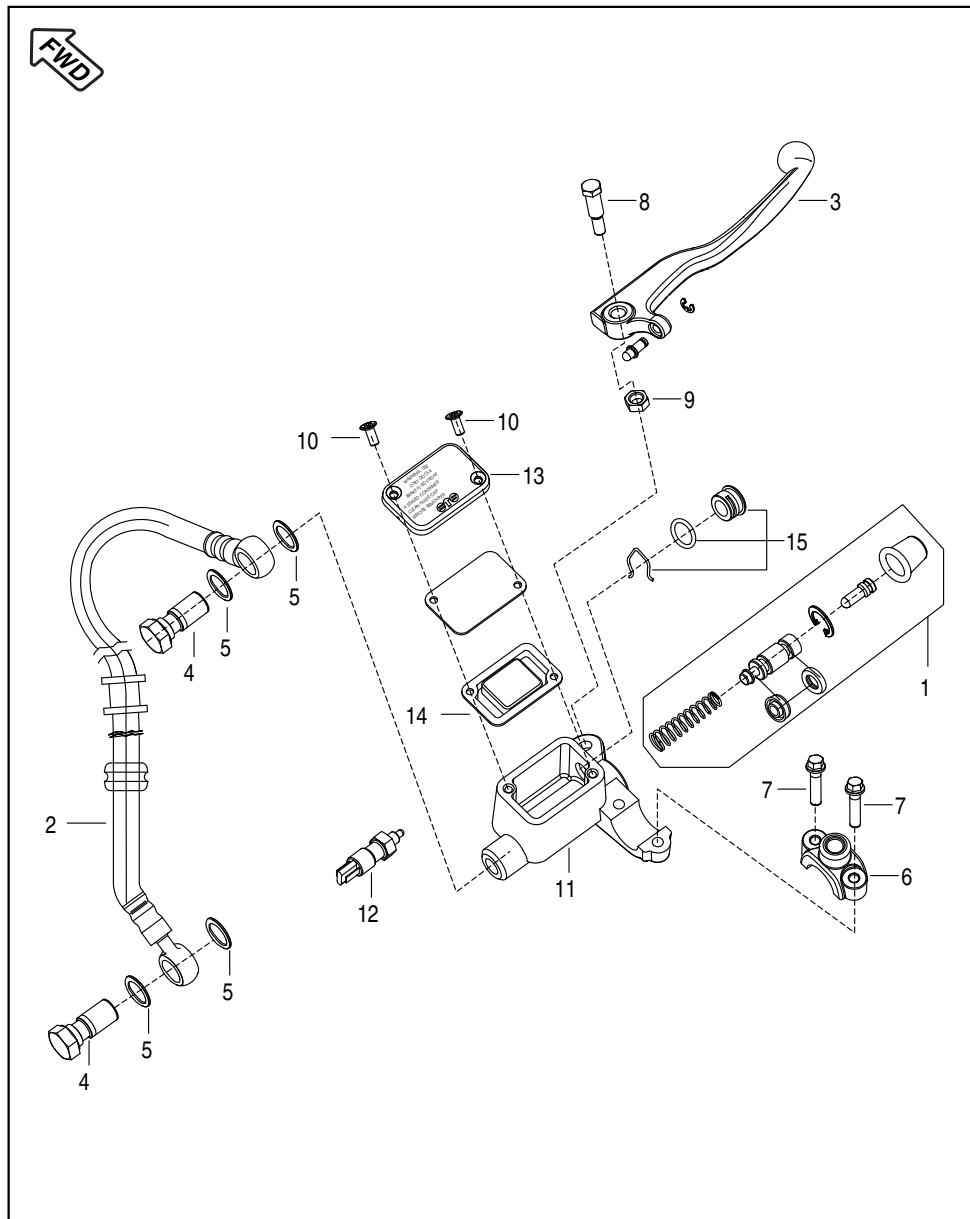
No.	Part No.	Description	Qty.	Remarks
1	JD 1310 00	Wheel Rim Front 1.4 x 17 Di	1	} Proprietary Items Not Serviceable
2	DS 1510 48	Tyre Front	1	
3	DS 1510 49	Tube Front	1	
4	JW 1312 05	Wheel Rim Rear	1	
5	DS 1510 31	Tyre Rear	1	} Proprietary Items Not Serviceable
6	DS 1510 29	Tube Rear	1	

Front Hub



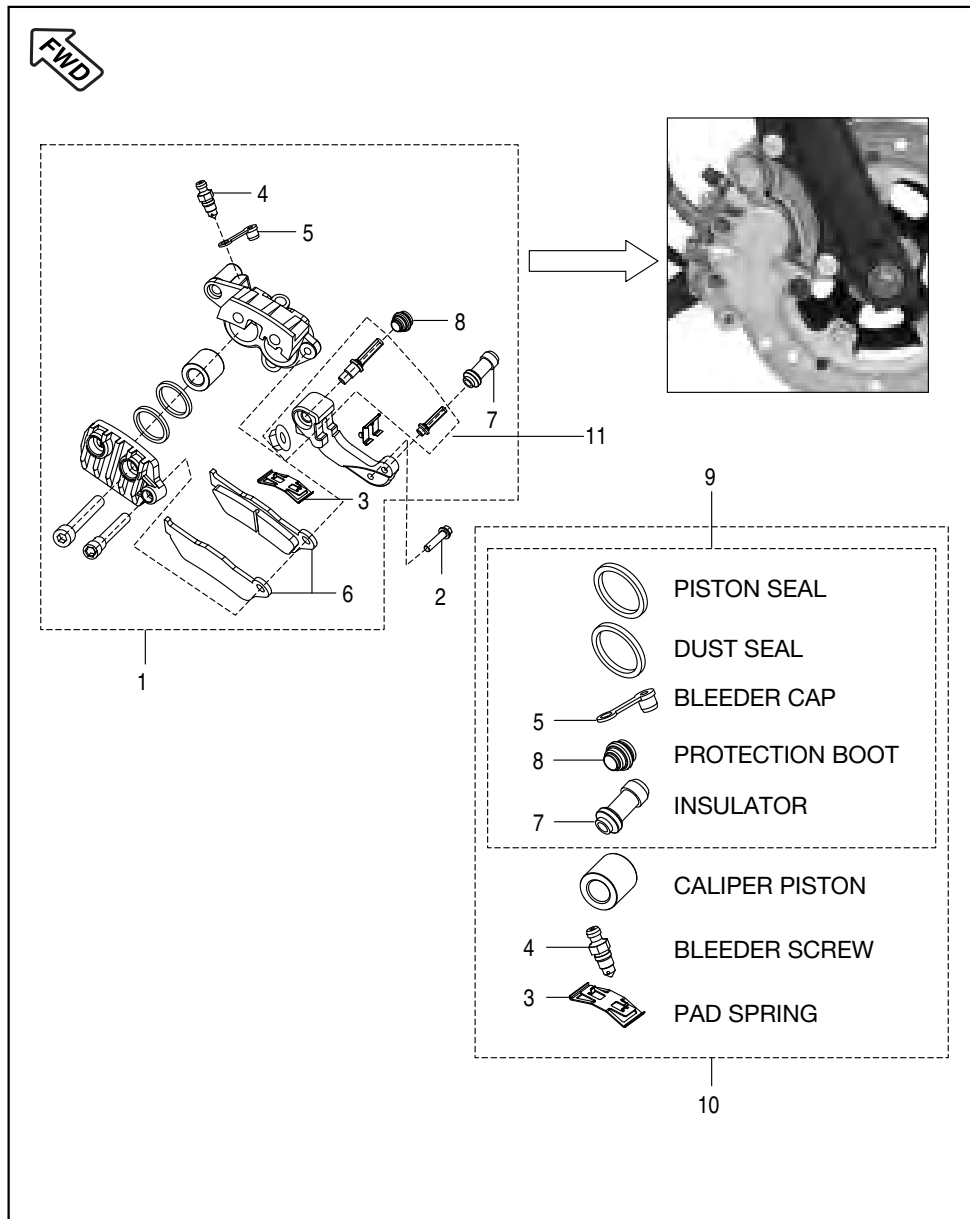
No.	Part No.	Description	Qty.	Remarks
1	30 1510 33	Seal Oil	1	
2	39 2688 20	Bearing Ball	2	
3	DE 1510 06	Spacer Assly.	1	
4	DE 1510 12	Plate Drive	1	
5	DE 1510 08	Seal Oil	1	
6	DJ 1510 94	Rotor Speedo (Disc)	1	
7	JN 1316 03	Case Meter Assly	1	
8	59 2100 19	'O' Ring	1	For Speed Sensor
9	39 0900 12	Washer Spring	1	
10	39 0840 01	Screw - M4	1	For Bushing Speedo Gear
11	JD 1318 11	Hex. Soc. Head Bolt	5	
12	JD 1318 10	Disc (240 mm Dia)	1	
13	JD 1310 00	Wheel Rim	1	
14	JB 1310 18	Plain Washer	1	
15	JN 1310 03	Spacer	1	
16	JB 1310 17	Axle	1	
17	JB 1310 19	'U' Nut	1	
18	30 1511 18	Stopper for Bushing	1	

Front Master Cylinder



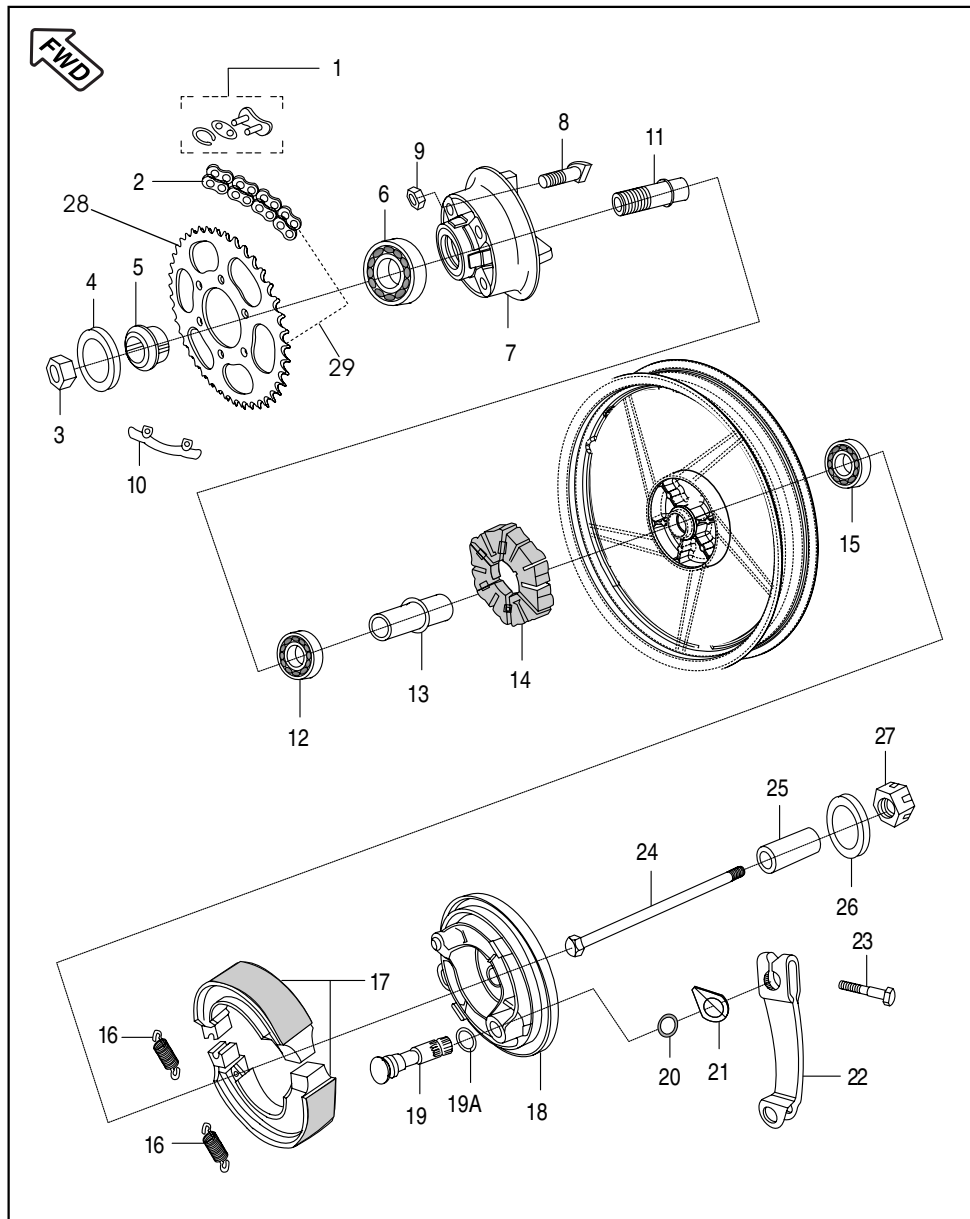
No.	Part No.	Description	Qty.	Remarks
1	DJ 1910 23	Major Kit - Master Cylinder	1	
2	JD 1318 08	Hose Brake Front	1	
3	DJ 1910 57	Lever Grip RH (KBX)	1	
	DJ 1910 59	Lever Grip RH (ETS)	1	
4	DE 1910 11	Banjo Bolt	2	
5	DE 1910 10	Washer Copper	4	
6	DE 1910 33	Clamp Holder RH	1	
7	39 2121 04	Bolt	2	
8	DJ 1910 29	Bolt Front Brake Lever	1	
9	DJ 1910 30	Nut Flanged	1	
10	DJ 1910 31	Screw	2	
11	DJ 1910 56	Cylinder Master with Lever (KBX)	1	
	DJ 1910 58	Cylinder Master with Lever (ETS)	1	
12	DJ 2011 09	Front Brake Switch	1	
13	DE 1910 29	Reservoir Cover	1	
14	DE 1910 28	Diaphragm	1	
15	36 DH19 02	'O' Ring Master Cylinder Kit	1	
16	DJ 2011 08	Cable Assly For Switch	1	N.I.

Front Disc Brake



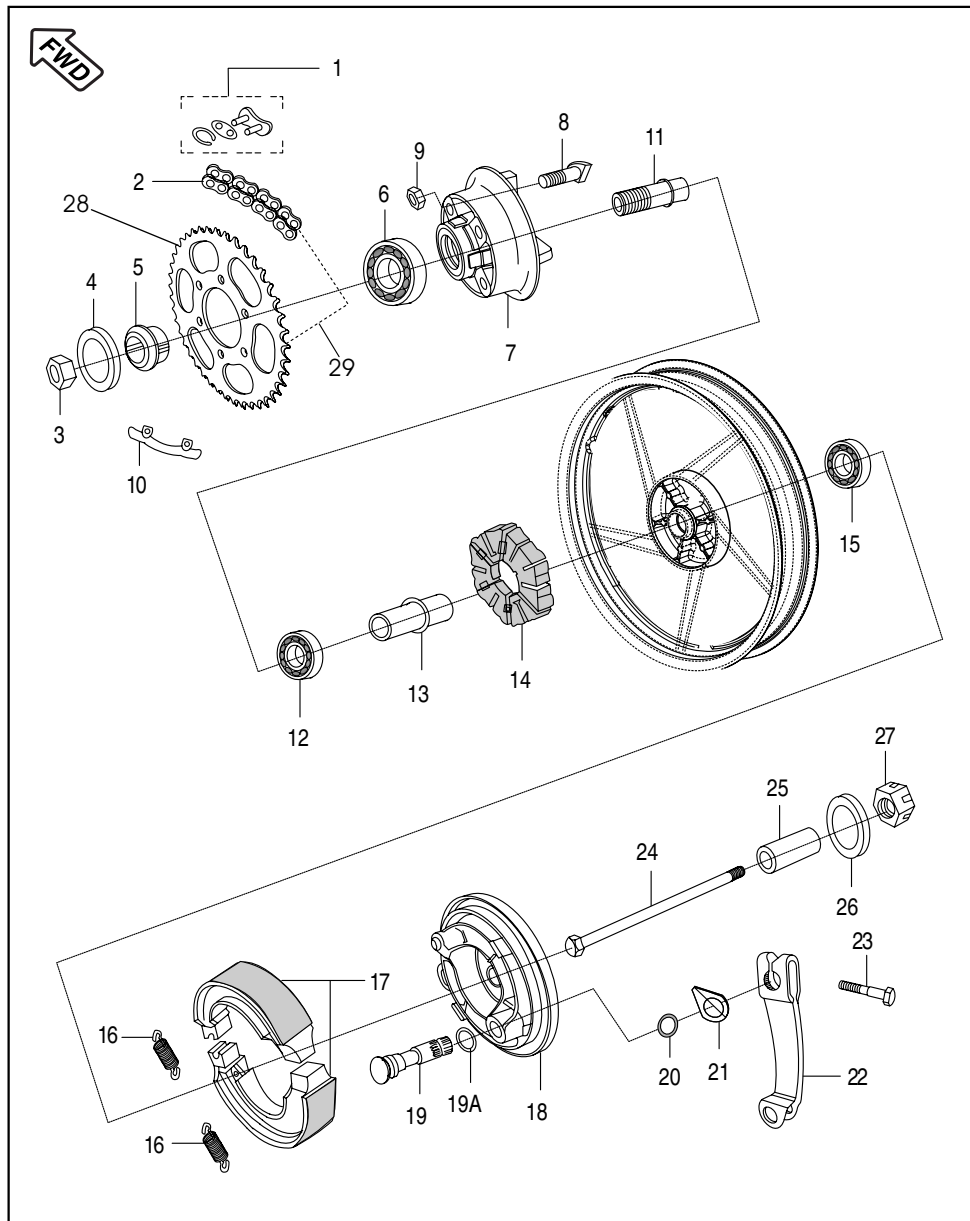
No.	Part No.	Description	Qty.	Remarks
1	JN 1318 06	Caliper Assly. Front (KBX)	1	
	JD 1318 13	Caliper Assly. Front (ETS)	1	
2	59 0400 25	Bolt Flanged Caliper Mounting	2	
3	DE 1510 48	Spring Pad	1	
4	DE 1510 46	Bleeder Screw	1	
5	DE 1510 47	Bleeder Cap	1	
6	JW 1318 07	Disc Pad Set	1	
7	DJ 1510 72	Protection Boot (8 mm Dia)	1	
8	DJ 1510 73	Protection Boot (9 mm Dia)	1	
9	DJ 1510 74	Minor Kit - Caliper	1	
10	DJ 1510 75	Major Kit - Caliper	1	
11	JW 1318 10	Anchor Pin Kit	1	

Rear Hub



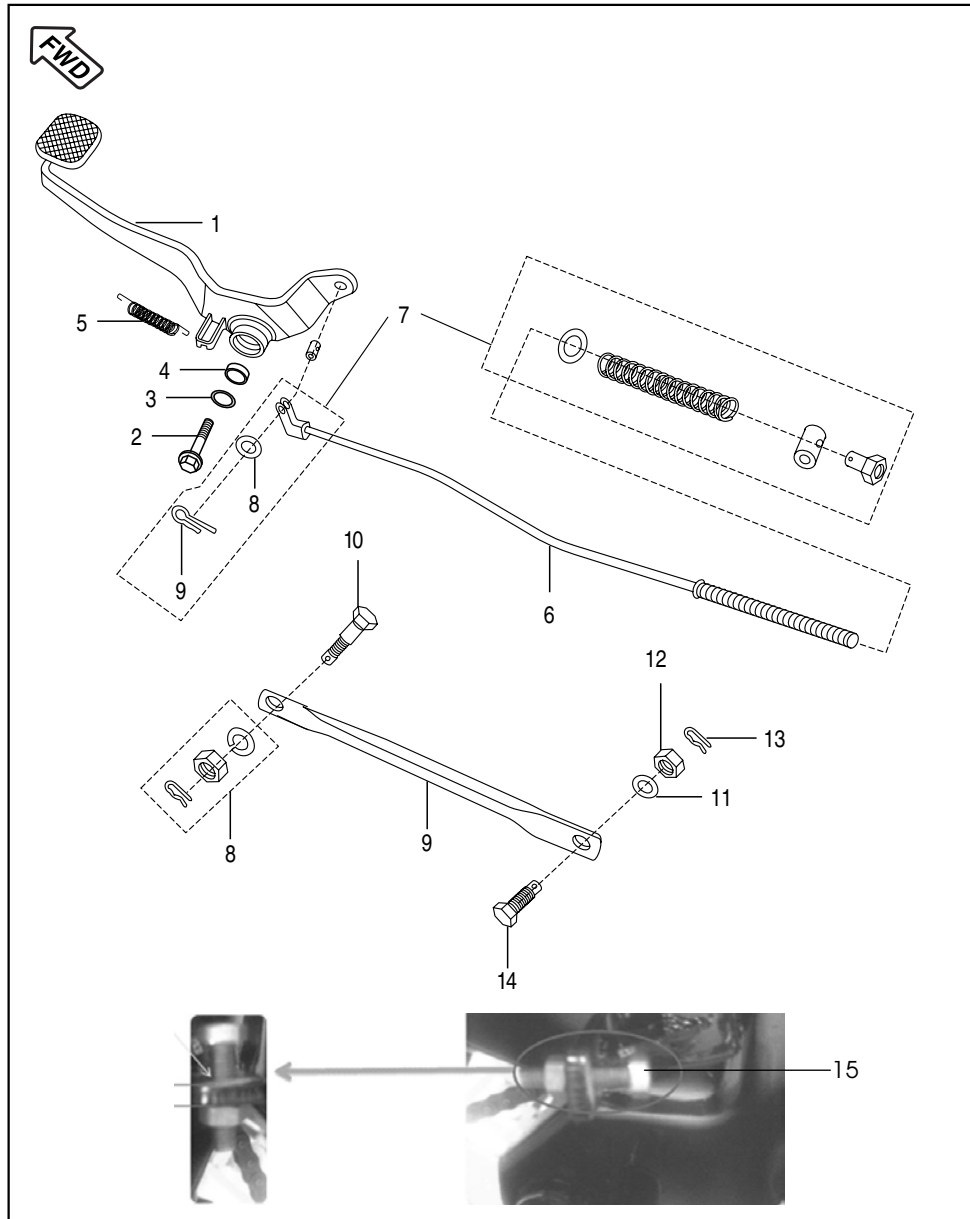
No.	Part No.	Description	Qty.	Remarks
1	JD 1410 03	Chain Link Lock Set	1	
2	JD 1410 01	Chain (130 Link 'O' ring)	1	
3	39 0801 15	Nut	1	
4	LD B000 01	Plain washer	2	
5	JD 1312 10	Collar Assly.	1	
6	39 2240 20	Bearing ball	1	
7	JN 1312 03	Coupling 4 Rubber	1	
8	DS 1510 73	Stud M-10	4	
9	39 0794 15	Hex. lock nut	4	
10	DS 1510 74	Washer	2	
11	DX 1510 22	Sleeve	1	
12	39 2686 20	Bearing Ball	1	
13	30 1510 75	Collar Bearing	1	
14	JG 1312 19	Coupling Rubber	1	
15	39 2687 20	Bearing Ball	1	
16	30 1510 69	Spring	2	
17	30 1511 05	Shoe Brake Assly	2	
	JN 1318 12	Shoe Brake Assly (Non Asbestos)	2	
18	DJ 1510 92	Panel Rear Brake	1	
19	30 1510 11	Cam Brake	1	
19A	39 0722 11	Plain Washer	1	
20	30 1510 38	Ring 'O'	1	

Rear Hub



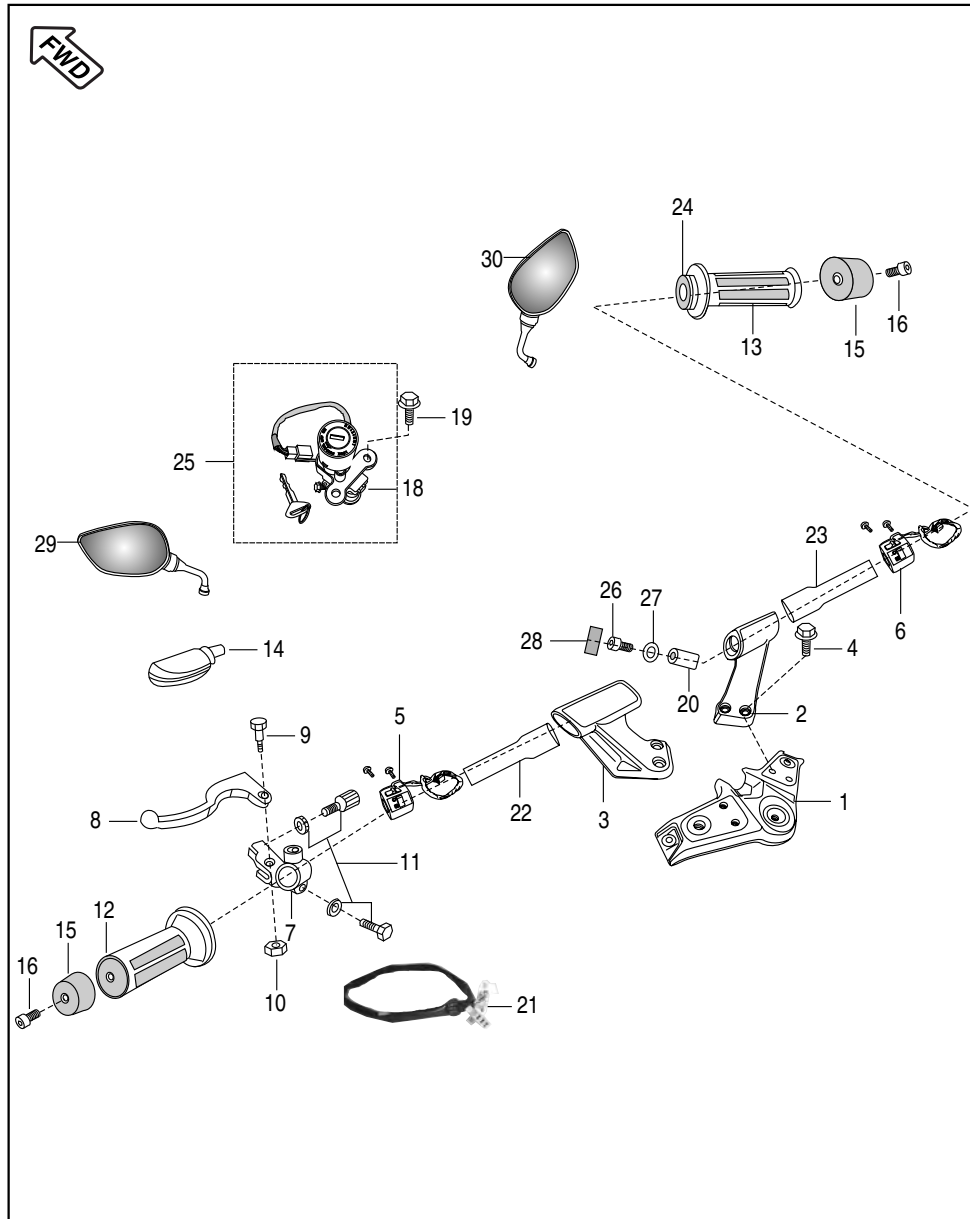
No.	Part No.	Description	Qty.	Remarks
21	DD 1510 09	Indicator	1	
22	JD 1316 01	Lever Brake	1	
23	39 0775 04	Bolt	1	
24	JD 1312 13	Rear Axle	1	
25	JD 1312 12	Sleeve	1	
26	39 2567 11	Plain washer	1	
27	DJ 1710 33	'U' nut	1	
28	DJ 1510 86	Sprocket 43 T - 4 Rubber	1	
29	36 JE00 07	Kit Chain Sprocket 'O' Ring Type	1	Ref. Page No.109

Rear Brake Pedal



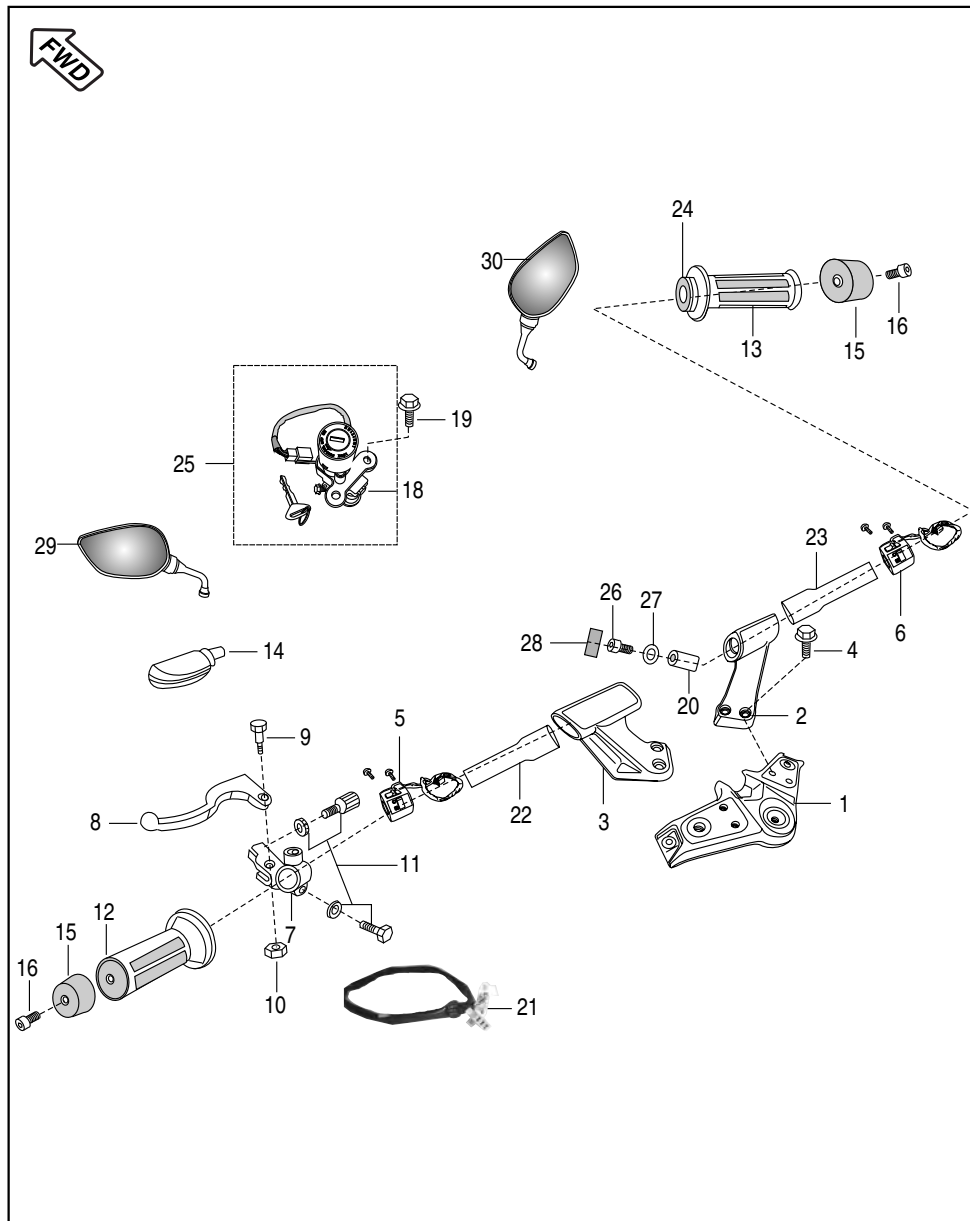
No.	Part No.	Description	Qty.	Remarks
1	JD 1610 01	Brake Pedal	1	
2	JC 1910 09	Hex. Bolt	1	
3	JK 1610 00	Washer	1	
4	39 1998 19	Oil Seal	2	
5	JD 1610 02	Brake Pedal Spring	1	
6	JD 1610 03	Rod Brake	1	
7	36 DK00 17	Brake Adjuster Kit	1	
8	36 DK00 18	Torque Rod Hardware Kit	1	
9	JD 1220 04	Rod Torque	1	
10	DH 1510 29	Step Bolt	1	
11	39 0789 12	Spring Washer	1	
12	39 0694 15	Nut Hex. Lock	1	
13	39 0807 08	Pin Snap	1	
14	30 1510 96	Hex. Bolt	1	
15	LA A000 04	Bolt Brake Pedal Adj	1	

Handle Bar Assly



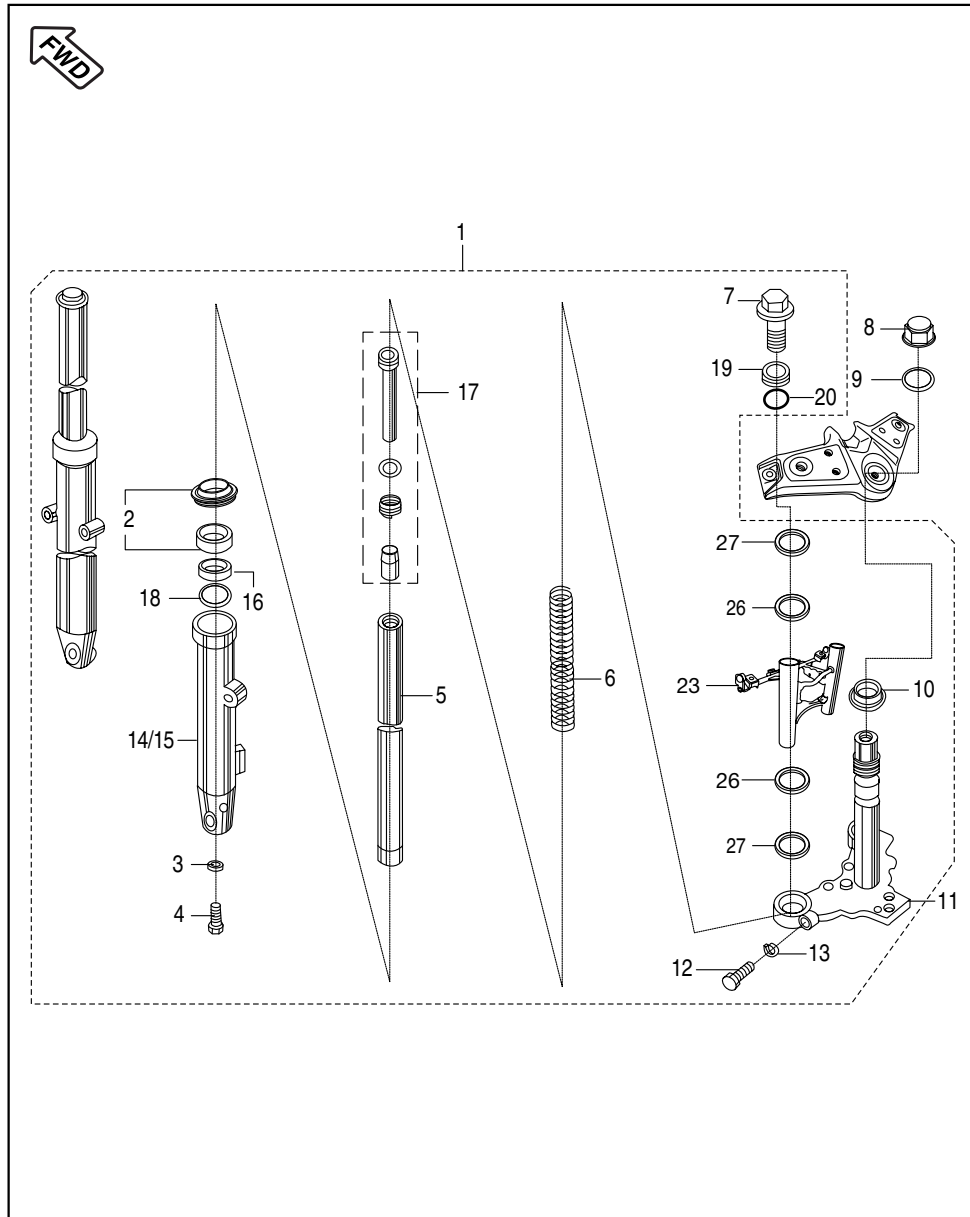
No.	Part No.	Description	Qty.	Remarks
1	JD 1510 15	Upper Bracket	1	
	JD 1510 54	Upper Bracket (Black)	1	from Ch. no. UCJ80101
2	JD 1510 17	Holder Handle RH	1	
	JD 1510 52	Holder Handle RH (Black)	1	from Ch. no. UCJ80101
3	JD 1510 16	Holder Handle LH	1	
	JD 1510 51	Holder Handle LH (Black)	1	from Ch. no. UCJ80101
4	DG 1810 08	Socket Bolt	4	
5	JF 4014 00	Control Switch LH	1	
6	JF 4014 01	Control Switch RH	1	
7	DJ 1910 54	Holder LH	1	
8	DJ 1910 55	Lever LH	1	
	DJ 1910 83	Lever LH	1	from Ch. No. UCJ80101
9	DL 1910 14	Stud Lever Handle	1	
10	30 1910 17	Self Locking Nut	1	
11	DD 1911 47	Adjusting Screw	1	
12	DH 1910 07	Grip LH	1	
13	DH 1910 08	Grip assly. RH	1	
14	DS 1910 52	Boot for lever LH	1	
15	DH 1810 22	Handle bar weight	2	
16	39 2427 04	Hex. Soc. Hd. Cap Screw	2	
17	DS 1910 52	Lever Boot for Clutch Switch	1	N.I.
18	JB 4014 02	Switch Assly. Ignition	1	
19	39 1943 04	Flange Bolt	2	
20	DK 1810 31	Bush Silent Handle Bar Tube	2	

Handle Bar Assly



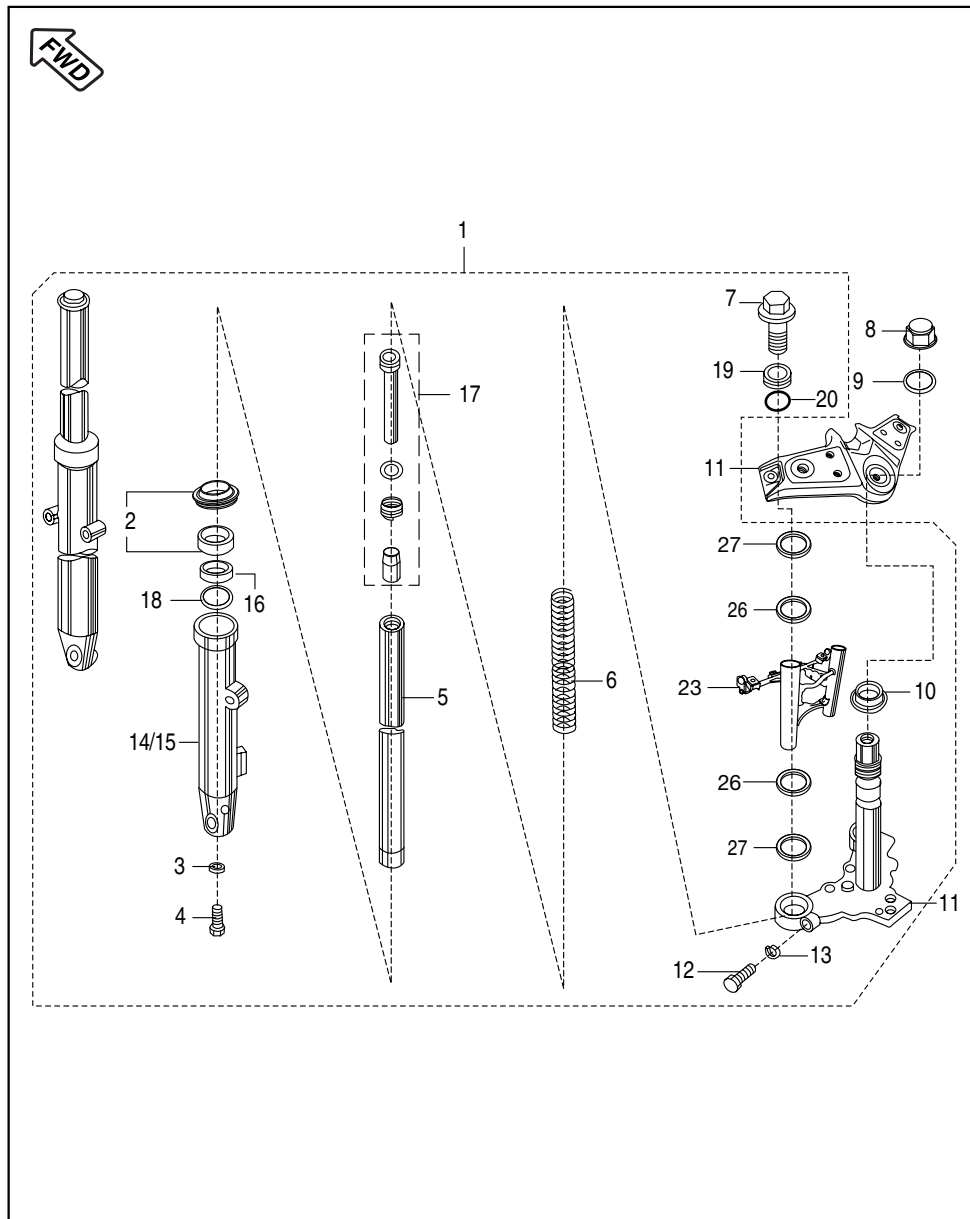
No.	Part No.	Description	Qty.	Remarks
21	DJ 2011 95	Clutch Switch	1	
	DJ 2012 46	Clutch Switch (Transil Diode)	1	form Ch. No.UCJ80101
22	JD 1510 34	Handle bar tube assly. LH	1	
23	JD 1510 35	Handle bar tube assly. RH	1	
24	DH 1910 17	Pipe throttle	1	N.I.
25	JW 2326 01	Lock set 4 in 1	1	
26	DK 1810 58	Bolt	2	
27	39 1180 11	Washer	2	
28	JD 1510 32	Rubber Plug	2	
29	JD 2316 00	Mirror Assly. LH	1	
30	JD 2316 01	Mirror Assly. RH	1	

Front Fork



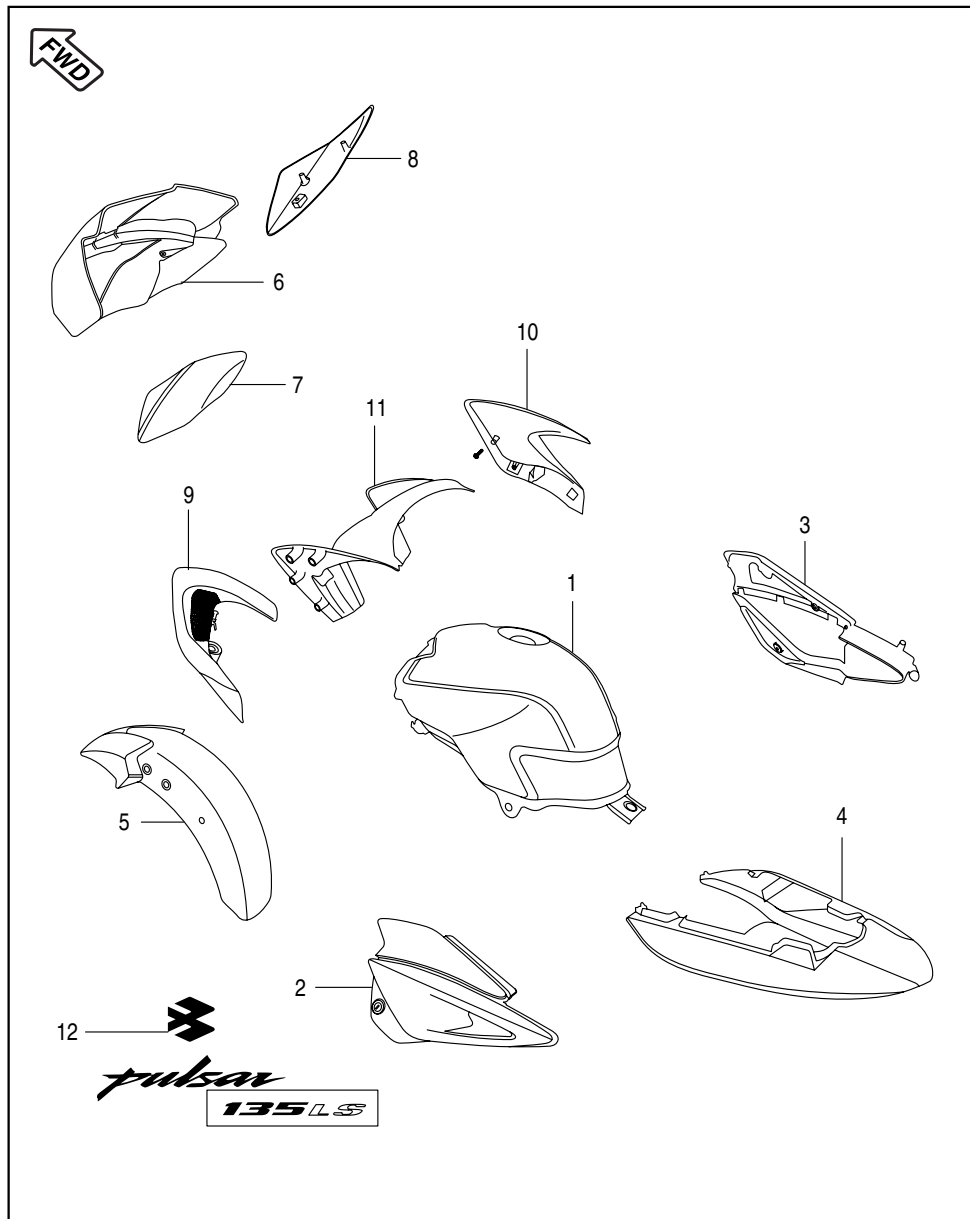
No.	Part No.	Description	Qty.	Remarks
1	JD 1510 00	Fork Front	1	
2	36 DZ00 20	Front Fork Seal Kit	1	
3	30 1810 26	Gasket	2	
4	30 1810 25	Bolt	2	
5	JD 1510 26	Fork Inner Pipe	2	
6	DJ 1811 04	Spring Front Fork	2	
7	59 0400 07	Bolt with Washer M10x29L (upper bkt.)	2	Hex Head Bolts With Washer
8	DS 1810 15	Cap Nut Fork	1	
9	DS 1810 16	Plain Washer	1	For Cap Nut
10	36 DS18 02	Bearing Cone Kit	1	
11	JD 1510 29	Under Bracket Fork	1	
12	39 1181 01	Bolt	2	
13	DM 1810 10	Washer	2	
14	JD 1510 03	Outer Tube LH	1	with Guide Bush
15	JD 1510 04	Outer Tube RH	1	
16	JK 1210 07	Anti Friction Bush	2	
17	JD 1210 02	Pipe Seat with Piston Ring	2	
18	JK 1210 09	Washer Anti Friction Bush	2	
19	JD 1510 28	Bolt Fork	2	
20	30 1810 29	'O' Ring	2	

Front Fork



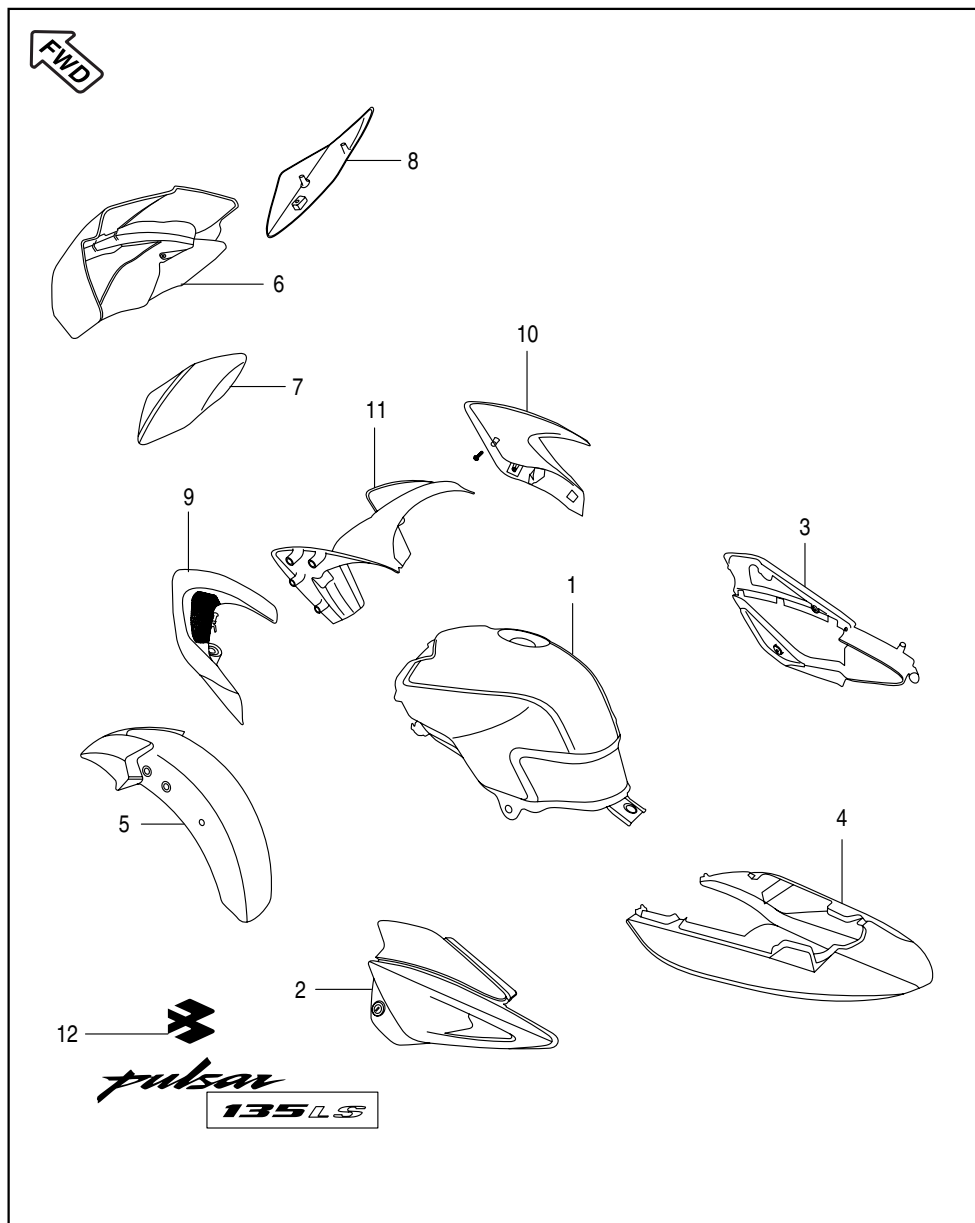
No.	Part No.	Description	Qty.	Remarks
21	JB 1510 22	Speed Sensor Cable Bracket	1	N.I.
22	39 1943 04	Bolt Flanged	1	N.I. for Speedo Sensor Cable Bracket Mounting
23	JD 1510 06	Lamp Shade Assembly	1	
24	DJ 1810 64	Grommet Head Lamp Mounting	1	N.I. Mtg. Lamp Shade
25	DJ 1810 29	Collar Head Lamp Mounting	4	N.I. Mtg. Lamp Shade
26	DJ 1810 52	Cover Trail 'B'	4	
27	DJ 1810 85	Cushion Rubber	4	

Painted Parts and Decals



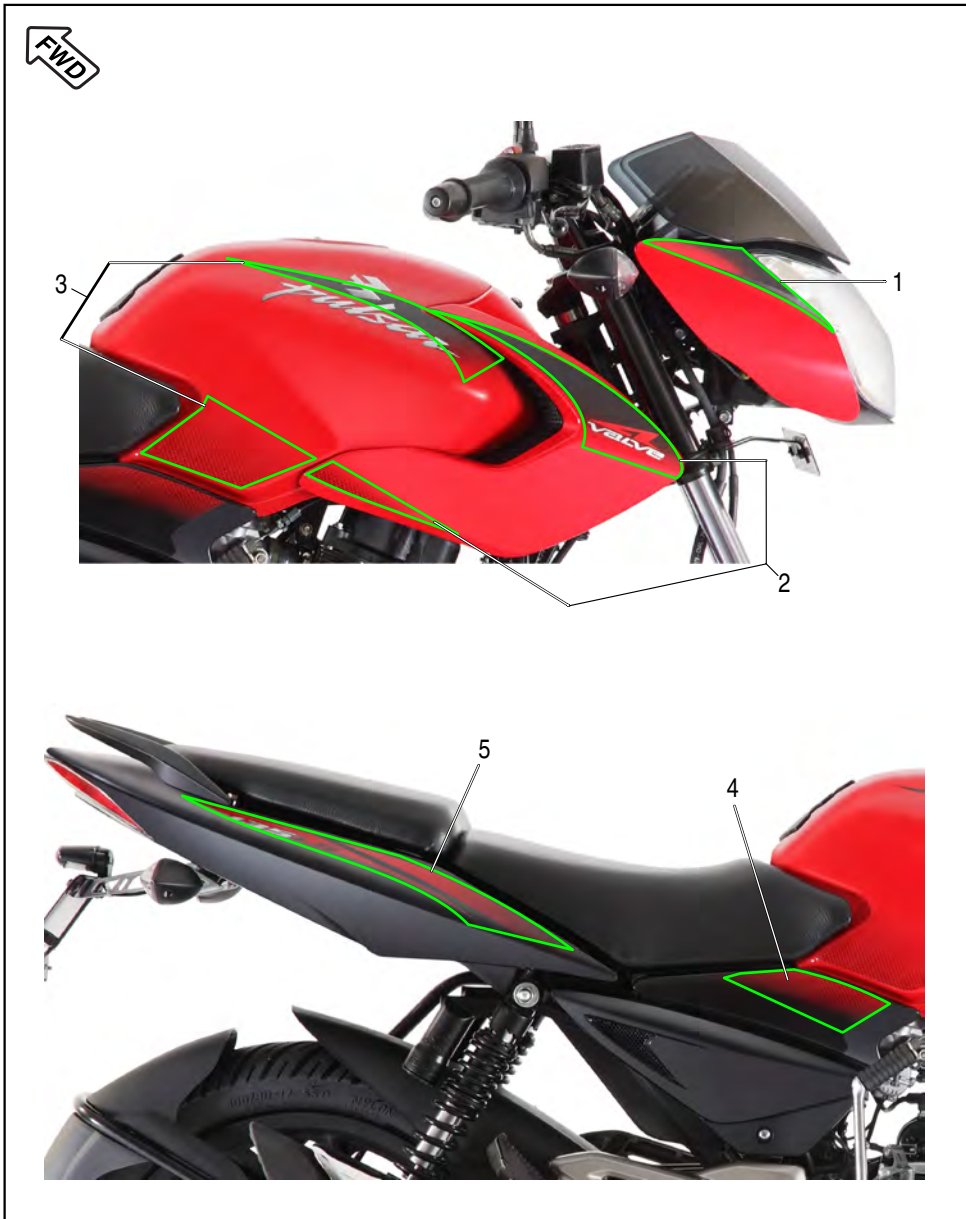
No.	Part No.	Description	Qty.	Remarks
1	JD 7103 4R	Fuel Tank with New Decal	1	Passion Red
	JD 7103 4M	Fuel Tank with New Decal	1	Midnight Black
	JD 7103 5G	Fuel Tank with Dual Decal	1	Plasma Blue
	JD 7103 5L	Fuel Tank with Dual Decal	1	Passion Red
2	52 JD00 61	Side Cover LH Assembly	1	Silver Painted
	52 JD02 07	Side Cover LH Assembly Dual Decal	1	Plasma Blue Decal
	52 JD01 95	Side Cover LH Assembly Dual Decal	1	Passion Red Decal
	52 JD02 16	Side Cover LH Assembly Dual Decal	1	Midnight Black
3	52 JD00 62	Side Cover RH Assembly	1	Silver Painted
	52 JD02 08	Side Cover RH Assembly Dual Decal	1	Plasma Blue Decal
	52 JD01 96	Side Cover RH Assembly Dual Decal	1	Passion Red Decal
	52 JD02 15	Side Cover RH Assembly Dual Decal	1	Midnight Black
4	JD 7601 4R	Seat Cowl Assembly	1	Passion Red
	JD 7601 4M	Seat Cowl Assembly	1	Midnight Black
	JD 7601 5G	Seat Cowl Assembly	1	Plasma Blue
5	JD 7202 4R	Fender Front	1	Passion Red
	JD 7202 4M	Fender Front	1	Midnight Black
	52 JD02 04	Fender Front	1	Plasma Blue
6	52 JD00 67	Windshield with mask	1	Black With Blue Decals
7	JD 7301 4R	Cowling LH	1	Passion Red
	JD 7301 4M	Cowling LH	1	Midnight Black
	JD 7301 5G	Cowling LH Dual Decal	1	Plasma Blue Decal
	JD 7301 5L	Cowling LH Dual Decal	1	Passion Red Decal

Painted Parts and Decals



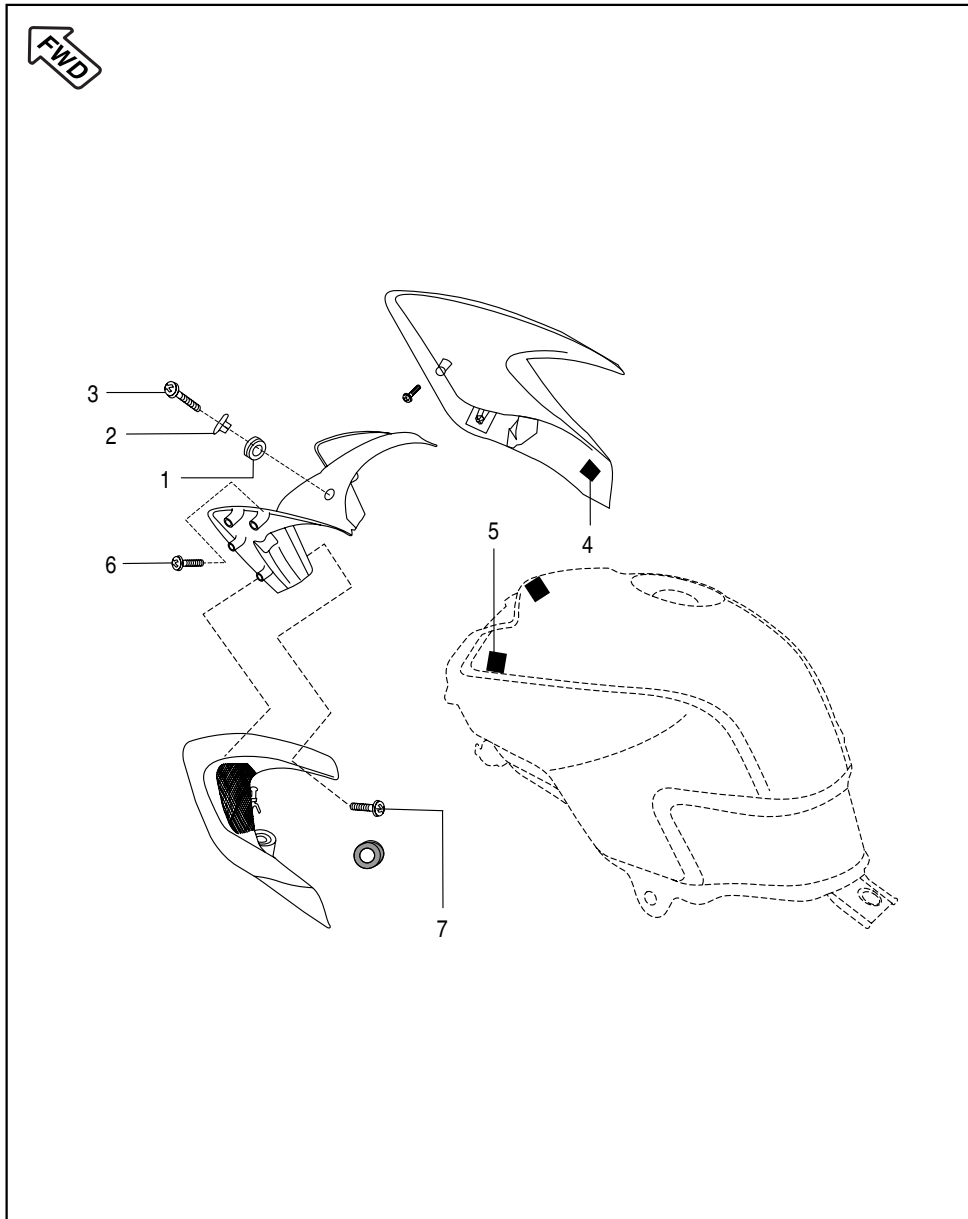
No.	Part No.	Description	Qty.	Remarks
8	JD 7302 4R	Cowling RH	1	Passion Red
	JD 7302 4M	Cowling RH	1	Midnight Black
	JD 7302 5G	Cowling RH Dual Decal	1	Plasma Blue Decal
	JD 7302 5L	Cowling RH Dual Decal	1	Passion Red Decal
9	JD 7401 4R	Tank Spoiler LH	1	Passion Red
	JD 7401 4M	Tank Spoiler LH	1	Midnight Black
	JD 7401 5G	Tank Spoiler LH Dual Decal	1	Plasma Blue Decal
	JD 7401 5L	Tank Spoiler LH Dual Decal	1	Passion Red Decal
10	JD 7402 4R	Tank Spoiler RH	1	Passion Red
	JD 7402 4M	Tank Spoiler RH	1	Midnight Black
	JD 7402 5G	Tank Spoiler RH Dual Decal	1	Plasma Blue Decal
	JD 7402 5L	Tank Spoiler RH Dual Decal	1	Passion Red Decal
11	JD 7403 4R	Central Spoiler	1	Passion Red
	JD 7403 4M	Central Spoiler	1	Midnight Black
	JD 7403 5G	Central Spoiler	1	Plasma Blue
12	JD 2330 12	Tank Decal Pulsar LH/RH Red	2	Non Chrome
	JD 2330 14	Seat Cowl Decal LH/RH Red	2	Non Chrome
	JD 2330 18	4 Valve Decal LH Red	1	Non Chrome
	JD 2330 19	4 Valve Decal RH Red	1	Non Chrome
13	JD 2330 12	Tank Decal Pulsar LH/RH Black	2	Non Chrome
	JD 2330 14	Seat Cowl Decal LH/ RH Black	2	Non Chrome
	JD 2330 16	4 Valve Decal LH Black	1	Non Chrome
	JD 2330 17	4 Valve Decal RH Black	1	Non Chrome

Dual Color Decals



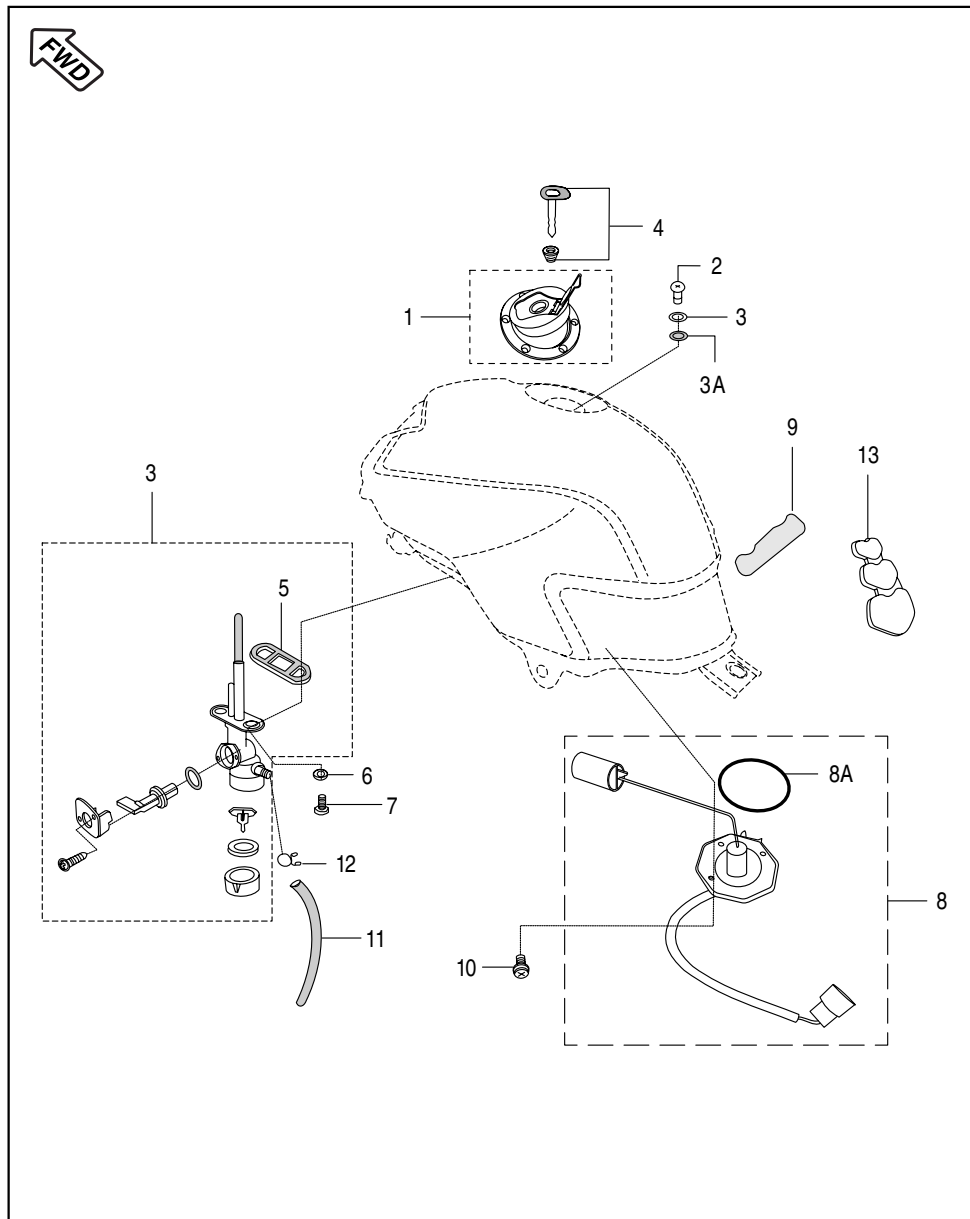
No.	Part No.	Description	Qty.	Remarks
1	36 JD00 11	Kit Fairing Decal Red	1	
	36 JD 00 16	Kit Fairing Decal Blue	1	
2	36 JD00 12	Kit Spoiler Decal Red	1	
	36 JD00 17	Kit Spoiler Decal Blue	1	
3	36 JD00 15	Kit Tank Decal Red	1	
	36 JD00 20	Kit Tank Decal Blue	1	
4	36 JD00 13	Kit Side Cover Decal Red	1	
	36 JD00 19	Kit Side Cover Decal Blue	1	
5	36 JD00 14	Kit Seat Cowl Decal Red	1	
	36 JD00 18	Kit Seat Cowl Decal Blue	1	

Petrol Tank Spoiler



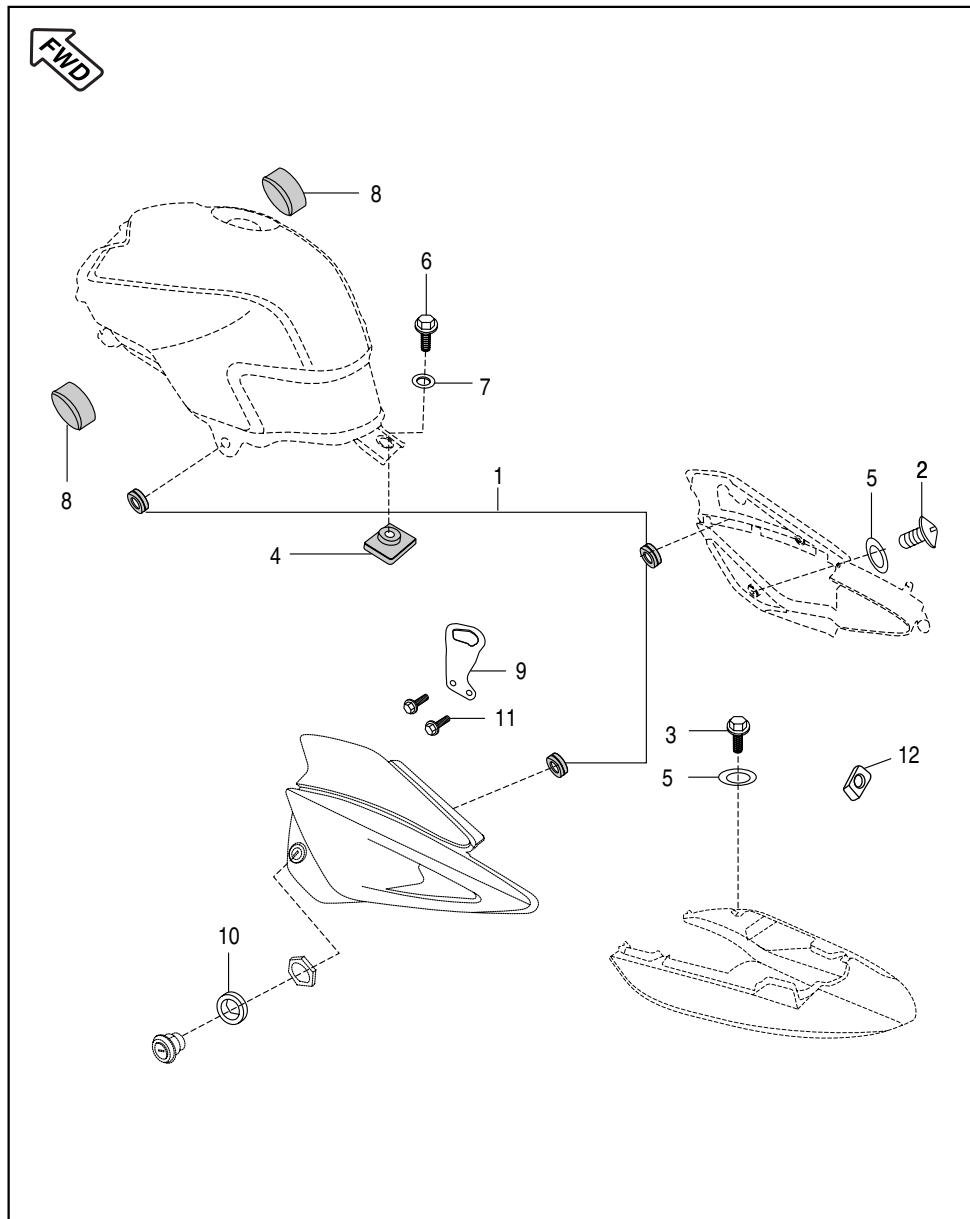
No.	Part No.	Description	Qty.	Remarks
1	JW 1710 14	Grommet Central Spoiler	3	
2	JW 1710 15	Collar Spoiler	3	
3	JD 1710 16	Round Head Screw	1	
4	JW 1710 07	Dual lock Tape 15x20	4	
5	JD 1710 18	Dual Lock Tape 10x20	8	
6	JW 1710 16	Screw	2	For Fitting Central Spoiler
7	59 0200 01	Screw	8	For Flap LH/RH Fitment on Central Spoiler
8	JC 1410 17	Grommet Tank Cover	2	N.I.
9	JW 1710 06	Clip Nut on Tank Bracket	2	N.I.

Petrol Tank, Cap Tank and Gauge Fuel



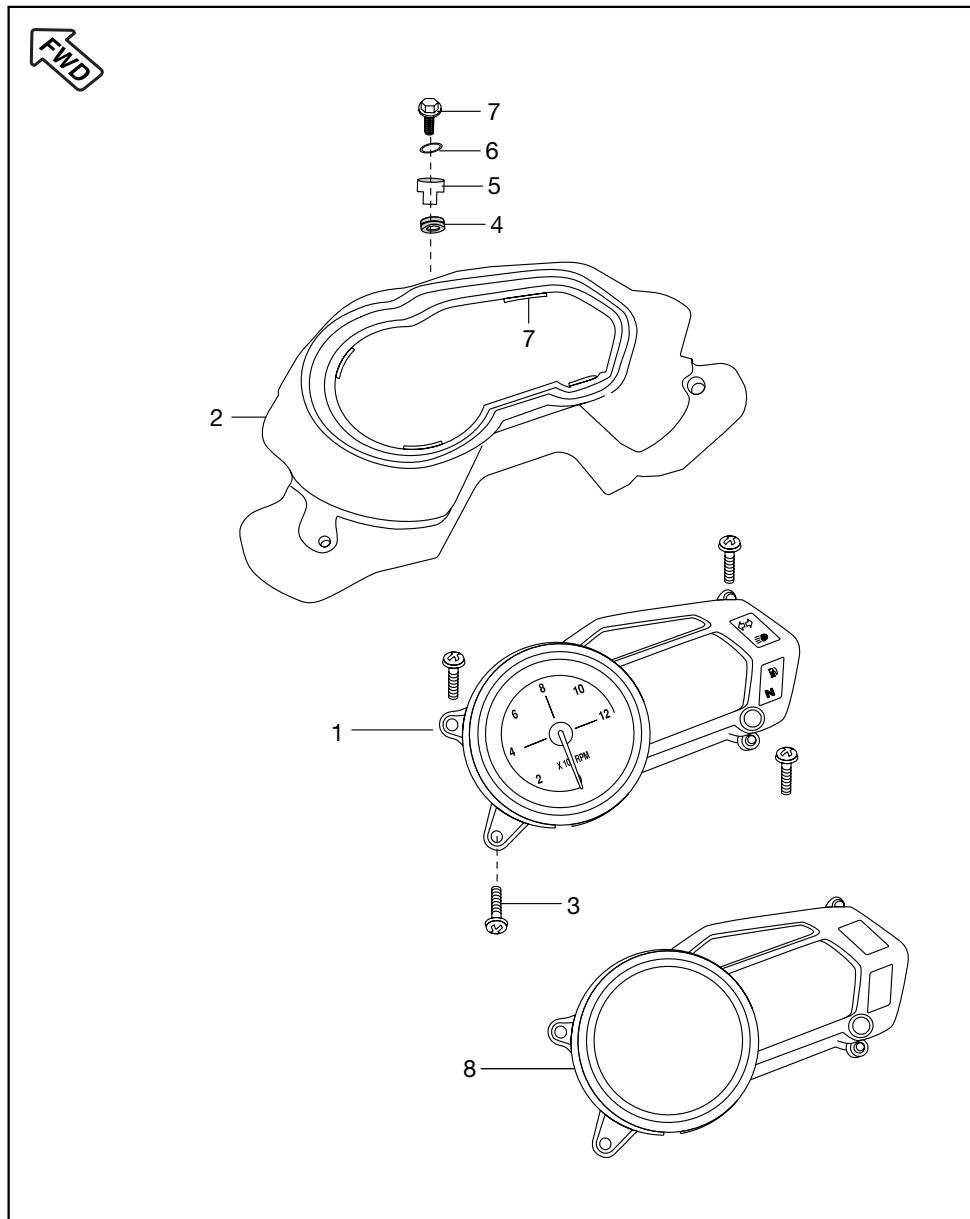
No.	Part No.	Description	Qty.	Remarks
1	JD 1716 00	Cap Assly. Tank	1	
2	39 2381 04	Screw Pan Cross	6	
3	JD 1710 30	Fuel Tap Assly	1	
4	JW 2326 01	3 In 1 Lock Set with Key	1	
5	30 1410 39	Packing	1	For Petrol Cock
6	DD 1410 22	Bolt Flanged	2	For Petrol Cock
7	39 0740 11	Washer (Non-Metallic)	2	For Petrol Cock
8	JD 4026 01	Fuel Gauge - Tank Unit (TFR)	1	
8A	39 2758 21	'O' Ring	1	For Tank Unit
9	JD 1710 38	Seat Tape	1	Pasted on Tank
10	39 2484 15	Flanged Nut	4	
11	JD 1718 00	Tube Fuel	1	Cock to Carburettor
12	33 1410 08	Pipe Clip	2	
13	DK 1410 15	Tank Pad		
14	JW 1710 26	Drain Pipe	1	N.I.
15	DJ 1410 02	Clamp Drain Pipe	1	N.I.

Fittings - Petrol Tank, Side Covers & Cover Seat



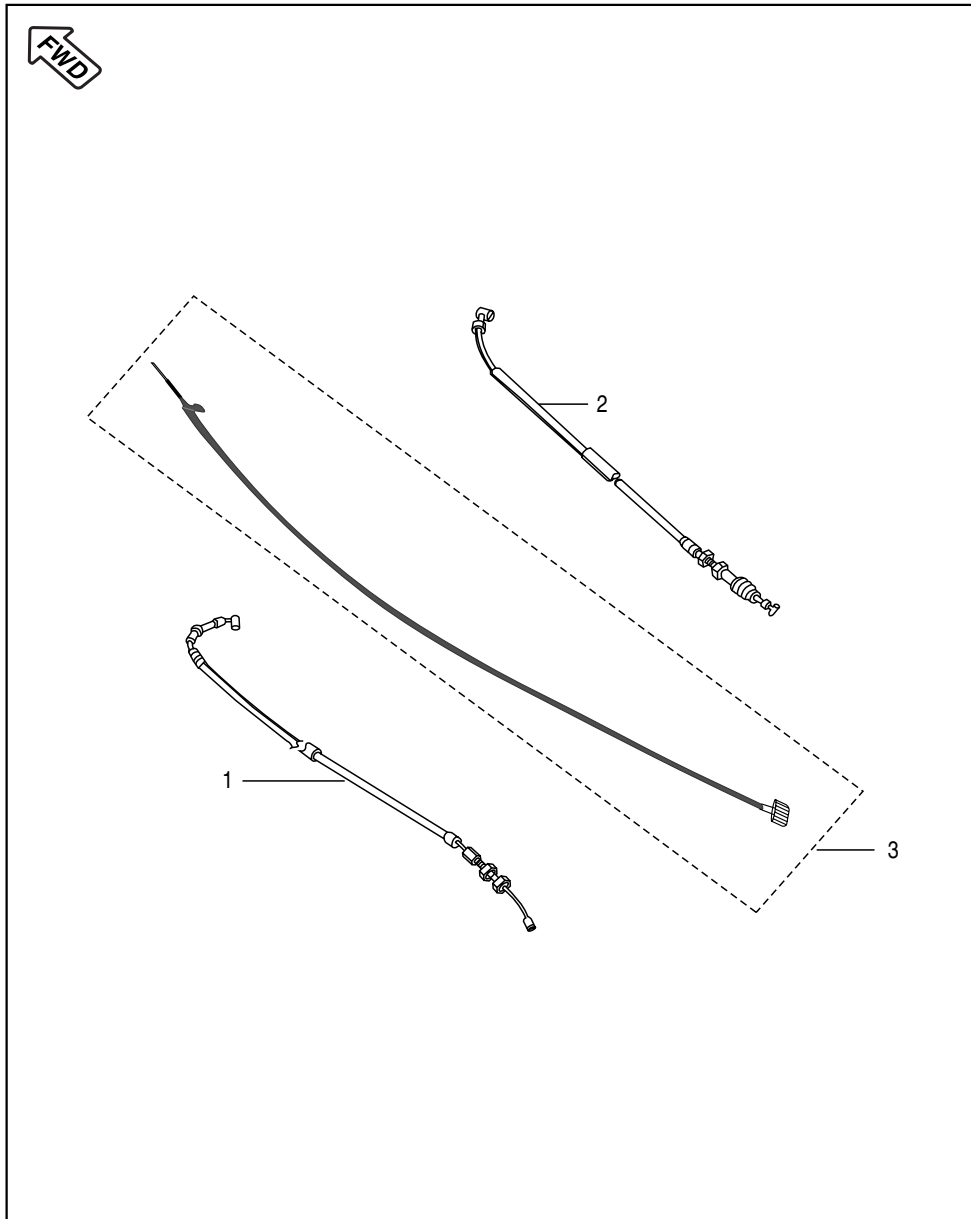
No.	Part No.	Description	Qty.	Remarks
1	36 JE00 09	Grommet Kit for Side Cover	1	Refer Page No.106
2	DG 1611 21	Screw	1	
3	39 1943 04	Flanged Bolt	2	Seat Cowl Mounting
4	JW 1710 17	Damper Rear	1	For Tank
5	39 1789 24	Washer Nylon	3	
6	JW 1110 25	Socket Head Bolt	1	
7	39 1054 11	Plain Washer	1	
8	DJ 1410 08	Damper Front	2	For Tank Mounting
9	JD 1110 12	Bracket Side Cover Lock	1	
10	DL 1610 15	Grommet Seat Cowl	2	
11	39 2754 04	Hex Head Bolt	2	For Side Cover Bracket Mounting
12	JD 1110 11	Clip Nut for Side Cover	1	

Meter Assembly



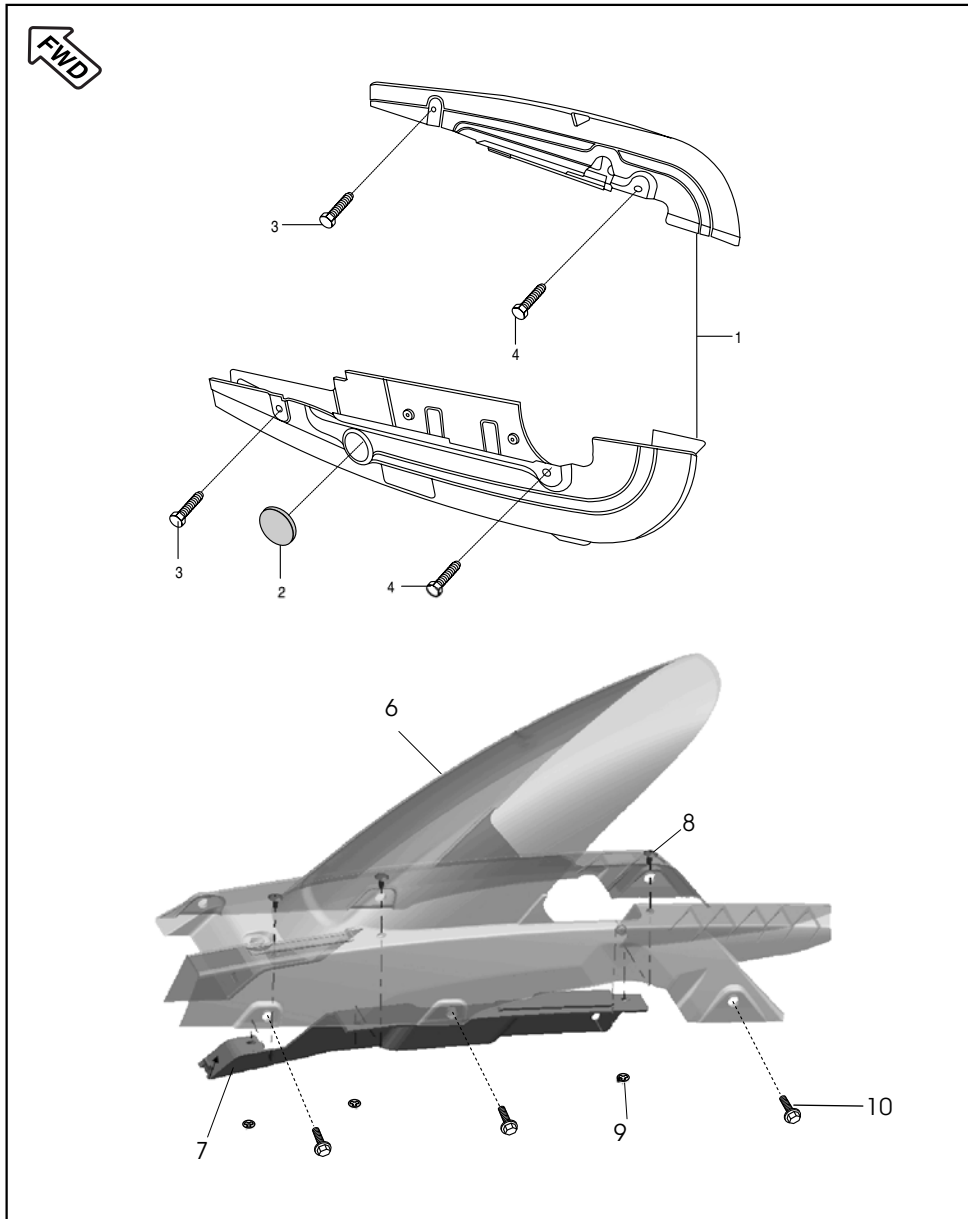
No.	Part No.	Description	Qty.	Remarks
1	JD 4024 00	Speedometer Assembly With Pig Tail	1	Upto- Chs. no. SCJ04313
	JD 4024 01	Speedometer Assembly	1	From- Chs. no. SCJ04314
2	JD 1812 11	Flap Cowling	1	
3	39 1778 02	Screw	4	
4	JC 1410 15	Grommet	3	
5	JC 1410 16	Collar	3	
6	39 0711 11	Washer	3	
7	DJ 1810 77	Special Bolt	3	
8	JD 4024 02	Speedometer Top Cover & Gasket	1	Ref. Cir. No. B-28

Control Cables



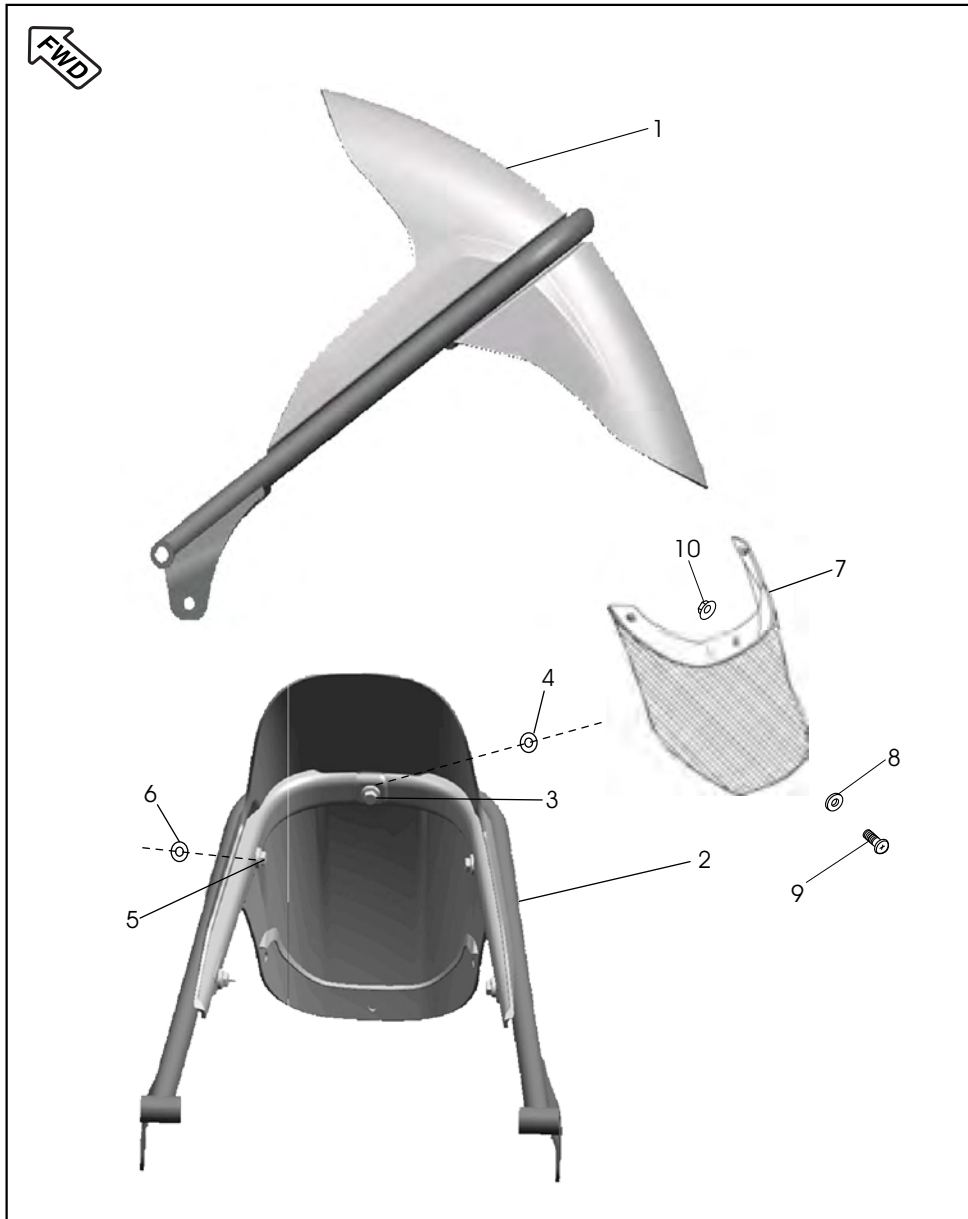
No.	Part No.	Description	Qty.	Remarks
1	JD 1612 00	Cable Accelerator	1	
2	JD 1612 01	Cable Clutch	1	
3	DJ 2011 83	Speedometer Sensor	1	

Chain Case



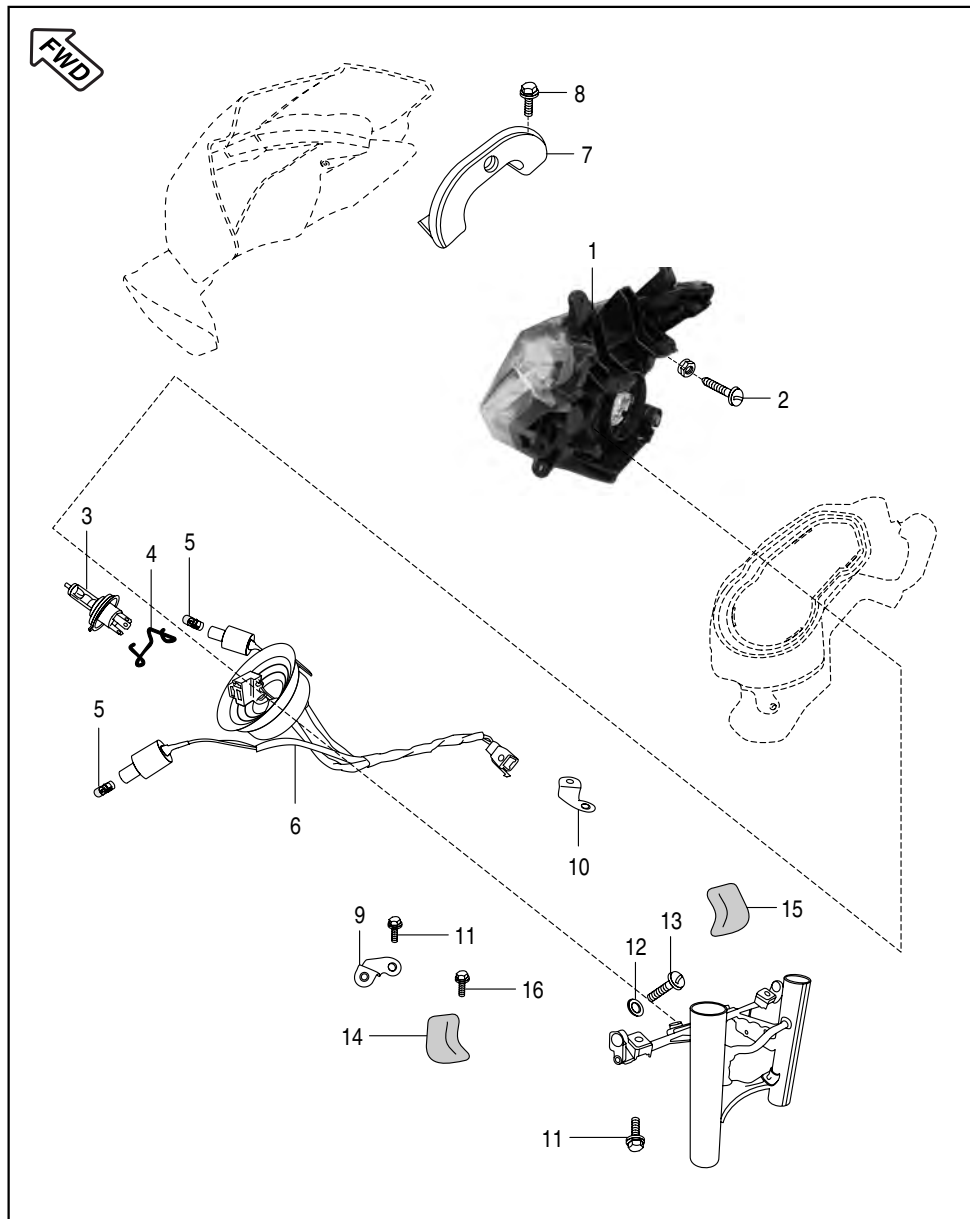
No.	Part No.	Description	Qty.	Remarks
1	52 JD00 25	Chain Case Assembly Kit	1	
2	15 1610 69	Rubber Cap	1	
3	DH 1612 83	Bolt	2	Front & Rear Side Mtg.
4	JB 1812 20	Flange Bolt 62L	2	
5	JB 1812 21	Flange Bolt 50L	1	
6	JD 1812 33	Chain Cover	1	
7	JD 1812 32	Cover Chain Inner	1	
8	JD 1812 34	Plastic Nail	3	
9	01 1605 08	Lock Washer	3	
10	DS 1612 24	Bolt Stepped with Flange	7	

Cover Mud Rear



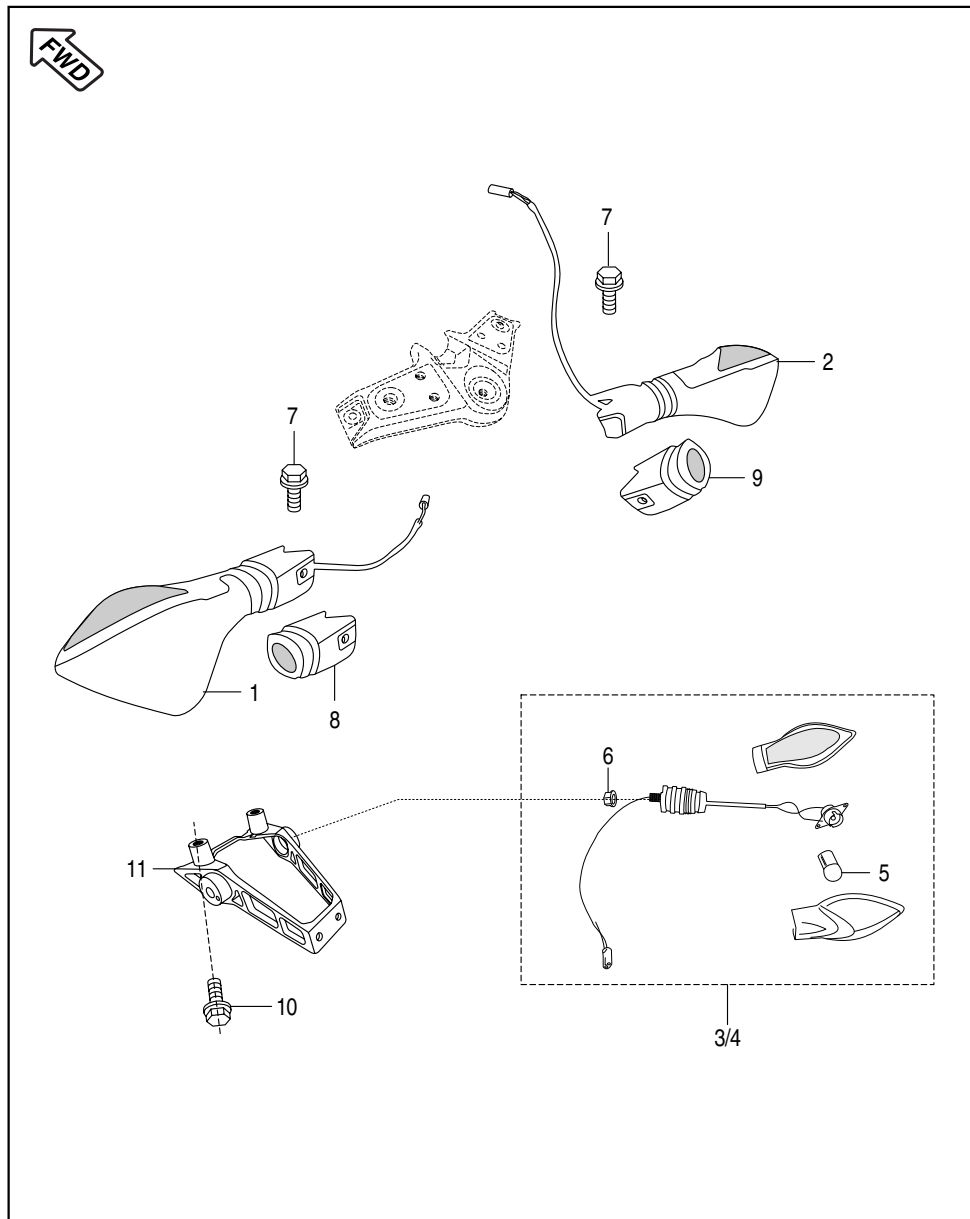
No.	Part No.	Description	Qty.	Remarks
1	JD 1814 08	Cover Mud Rear	1	
2	JD 1810 06	Tube Rear Hugger MTG	1	
3	39 2060 04	Bolt Flange M5	1	
4	39 1765 11	Washer Plain	1	
5	39 1680 04	Flange Bolt M6	4	
6	39 0219 11	Washer Plain	4	
7	JD 1814 09	Flap Mud Rear	1	Ref. Cir - IB-7
8	39 0242 11	Washer Plain	6	Ref. Cir - IB-7
9	LB B000 01	Screw Pan Cross M5 x 0.8 x 12	3	Ref. Cir - IB-7
10	39 0326 15	Nut Nyloc M5 x 0.8	3	Ref. Cir - IB-7

Head Lamp & Fairing



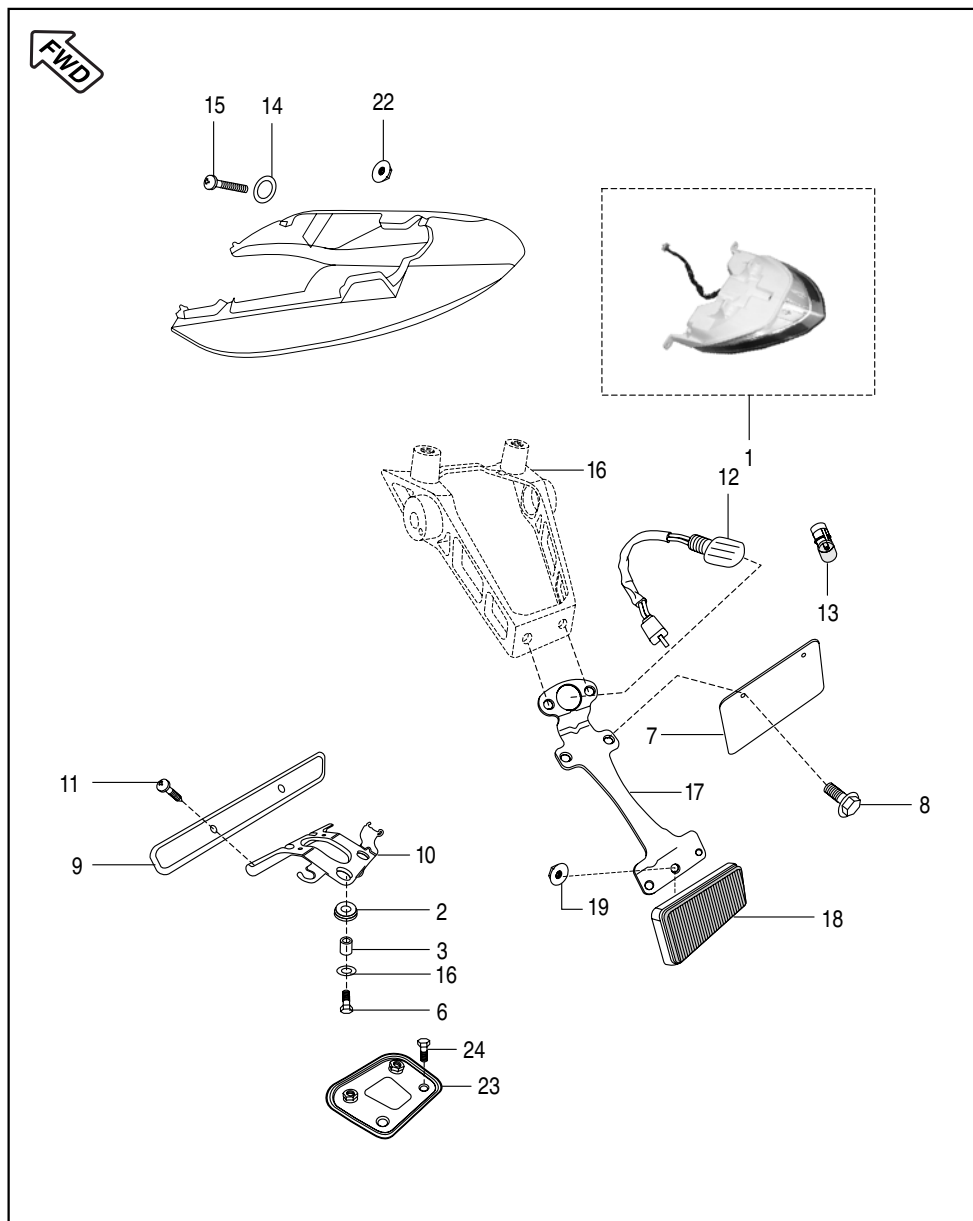
No.	Part No.	Description	Qty.	Remarks
1	JD 4010 24	Head Lamp Assembly	1	Without Bulb
2	39 1778 02	Screw Tapping	6	For Head Lamp
3	CL 2010 23	Lamp 12V 35/35W-HS1	1	
4	DS 2010 36	Head Lamp Bulb Clip	1	
5	DJ 2010 72	Lamp 12V 5W	2	Pilot Lamp
6	JD 4010 25	Head Lamp Harness Branch	1	
7	JD 1812 21	Bracket Speedo Cover Mtg	1	
8	39 2208 04	Bolt Flange Bracket Speedo	2	
9	JD 1510 38	Bracket H/L Mtg Lower RH	1	
10	JD 1510 37	Bracket H/L Mtg Lower LH	1	
11	39 1553 04	Bolt Flange M-6	4	
12	39 1765 11	Washer	2	For Bracket Cowling Mounting
13	39 1844 01	Screw M-5	2	
14	JD 1812 28	Cover Harness LH	1	
15	JD 1812 29	Cover Harness RH	1	
16	39 1943 04	Bolt Flange	2	For Cover Harness Side
17	39 1778 02	Screw	4	For Cowling LH / RH
18	35 1610 60	Nut Clip	2	For Cowling LH / RH
19	01 1605 08	Lock Washer	2	For Wind Shield

Indicator Light Assembly



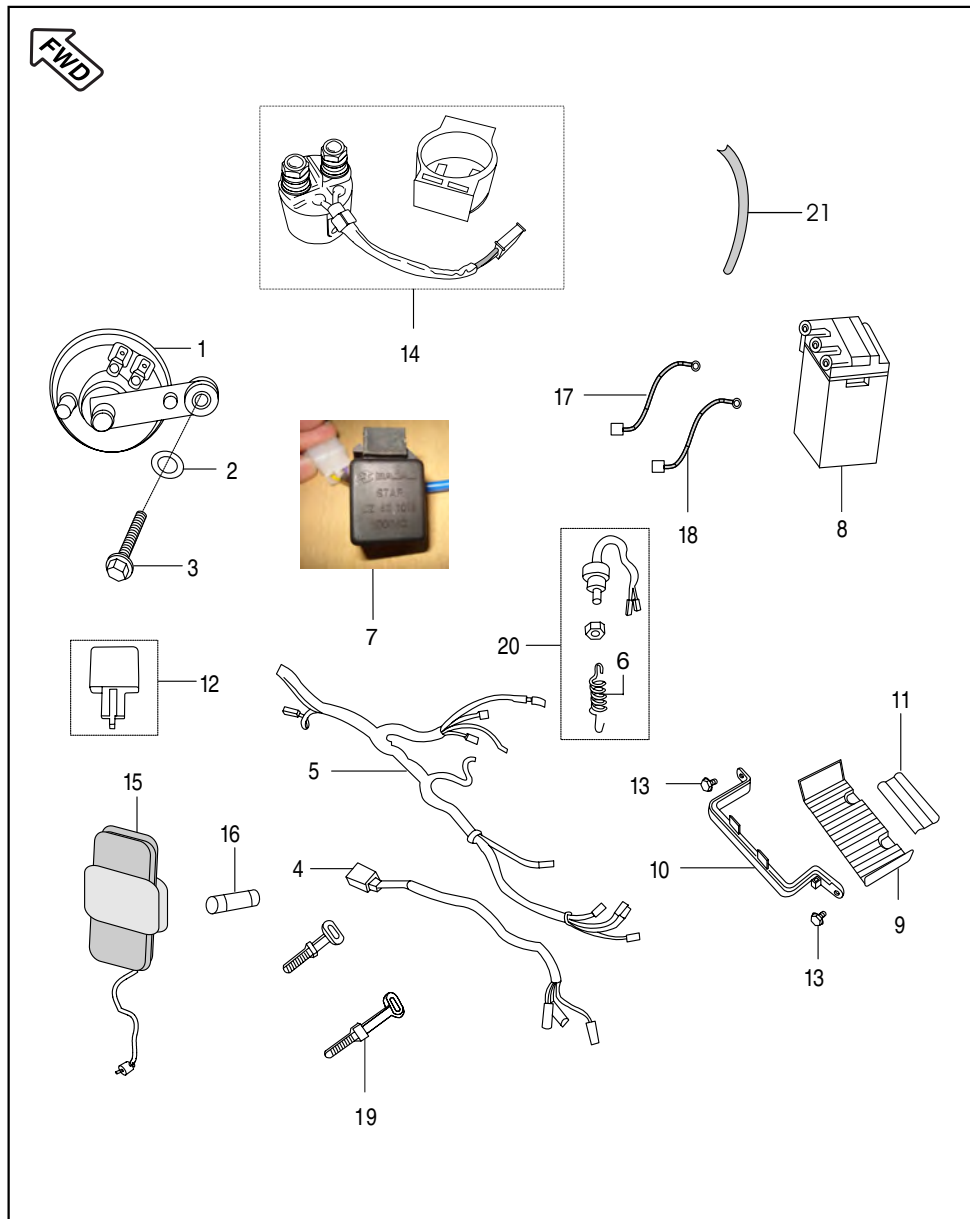
No.	Part No.	Description	Qty.	Remarks
1	JD 4010 04	Indicator Assembly Front LH	1	
2	JD 4010 03	Indicator Assembly Front RH	1	
3	JD 4010 03	Indicator Assembly Rear LH	1	
4	JD 4010 04	Indicator Assembly Rear RH	1	
5	GH 2010 12	Lamp 12 V - 10W	4	N.I.
6	39 1225 15	Hex Nut with Flange	2	For Mounting Blinker
7	39 1913 04	Bolt Flange	2	For Blinker Mounting Bracket
8	JD 1510 23	Bracket Front Blinker Mounting LH	1	
9	JD 1510 24	Bracket Front Blinker Mounting RH	1	
10	DG 1810 58	Socket Head Bolt	2	Bracket Mounting
11	JD 1138 01	Bracket Rear Blinker Mounting	1	

Tail Lamp Assly / Front Number Plate



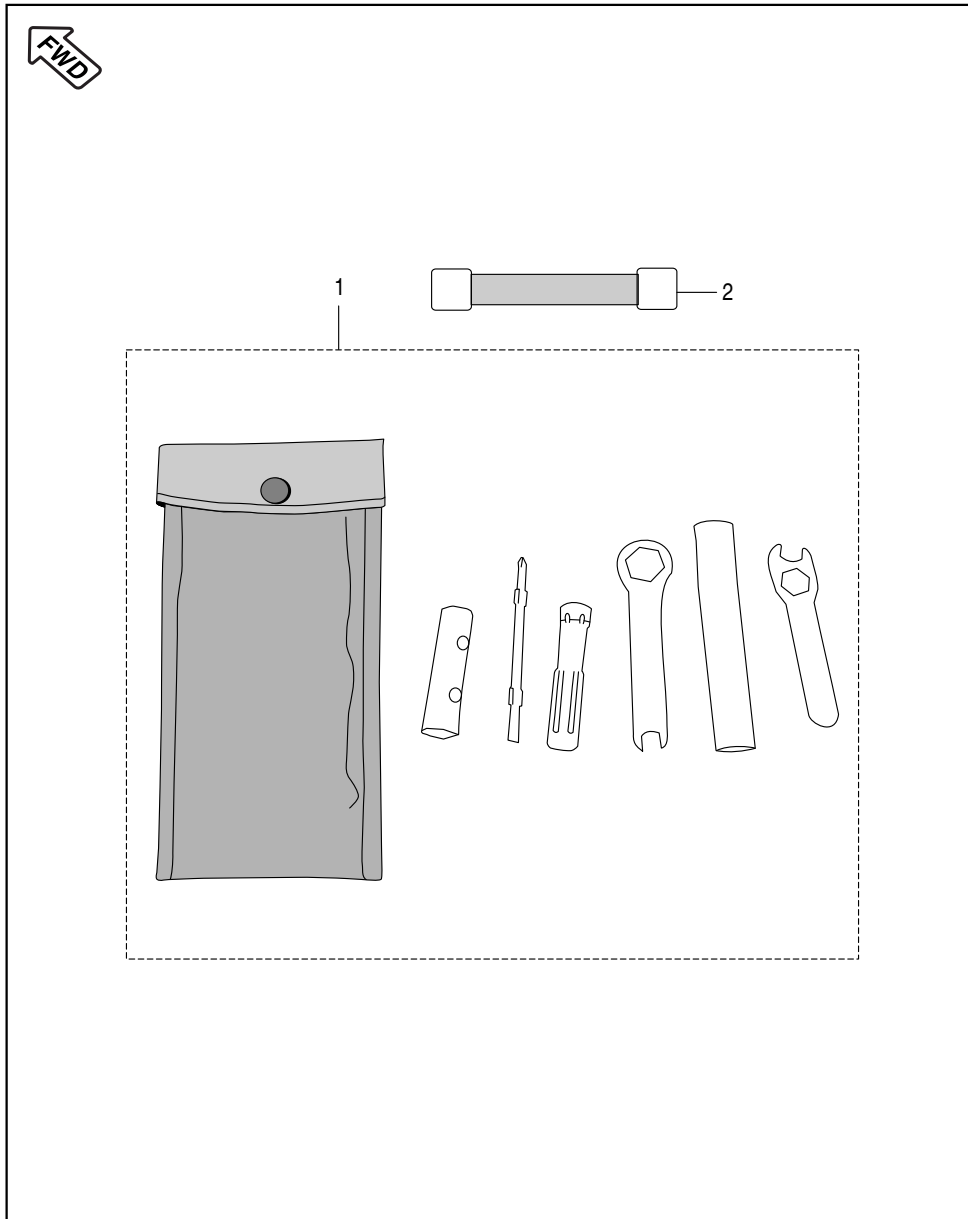
No.	Part No.	Description	Qty.	Remarks
1	JD 4010 08	LED Tail Lamp	1	
2	DD 2010 11	Damper	2	For Front No. Plate
3	DJ 1810 83	Collar	2	For Front No. Plate
4	39 2124 15	Flange Nut	1	Reflector Mounting
5	JD 1138 00	Bracket Rear No. Plate	1	N.I.
6	39 1553 04	Bolt Flange	2	For Front No. Plate
7	DP 1611 45	Number Plate Rear	1	
8	39 2476 04	Hex Flanged Bolt	2	For Rear No. Plate
9	DP 1611 44	Number Plate Front	1	
10	JD 2328 02	Front No. Plate Mounting Bracket	1	
11	39 1783 01	Truss Screw Front No. Plate	2	No. Plate Lamp
12	JD 4010 07	No. Plate Lamp with 2 Point Coupler	1	
13	DJ 2010 72	Bulb 12V/ 5W	1	Rear No. Plate Lamp
14	39 2179 24	Washer (Non Metallic)	4	For LED Tail Lamp
15	39 1523 01	Screw For LED Tail Lamp	4	
16	JD 1138 01	Bracket Rear Blinker Mounting	1	
17	JD 1138 02	Bracket Reflector Mounting	1	
18	DD 2010 02	Reflector Reflex	1	
19	39 1972 15	Nut for Reflex	1	
20	JW 4010 10	Cap Tail Camp	1	N.I.
22	DJ 1612 29	Clip Nut Tail Lamp	4	
23	JD 2328 01	Bracket Number Plate Mounting	1	
24	39 1943 04	Bolt	2	

Electrical Equipments



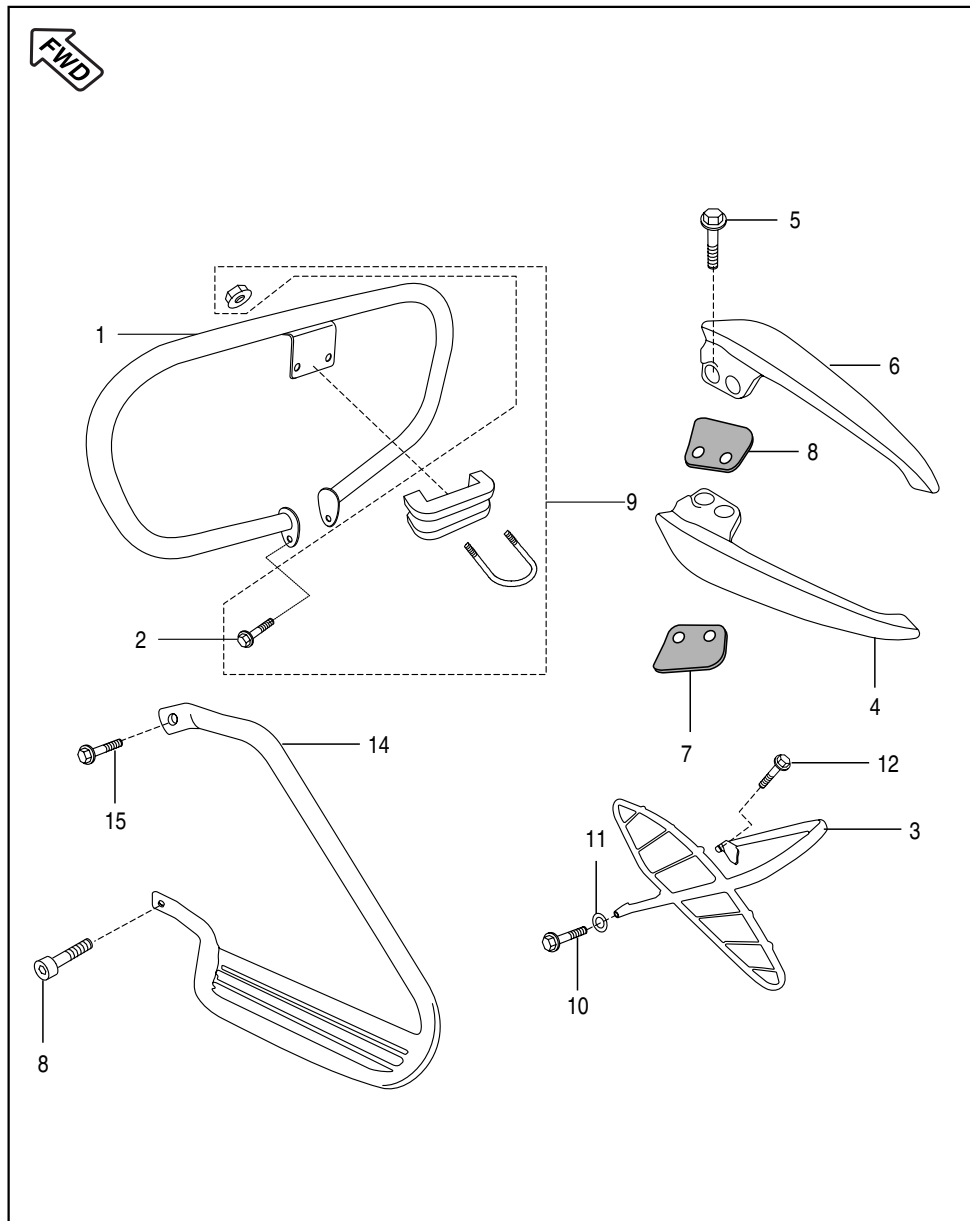
No.	Part No.	Description	Qty.	Remarks
1	DK 2010 37	Horn LH with Stay	1	
	DK 2010 38	Horn RH with Stay	1	
2	39 1507 11	Plain Washer	1	
3	39 1956 04	Flange Bolt	1	
4	JD 4022 01	Wiring Harness Front	1	Up to Chs. no.SCJ04313
	JD 4022 14	Wiring Harness Front	1	From Chs. no. SCJ04314
5	JD 4022 02	Wiring Harness Rear	1	
	JD 4022 19	Wiring Harness Rear (for Flash TPS)	1	from Ch. no. UCK00506
6	DH 1910 12	Spring Brake Switch	1	
7	JZ 4010 13	Head Lamp Control Unit	1	
8	DS 2010 82	Battery MF Dry Charged 5AH	1	
9	JA 4018 00	Base Battery (ES)	1	
10	JA 4018 01	Band Battery (ES)	1	
11	JA 4018 05	Pad II	1	
12	DS 2010 25	Assly DC Flasher	1	
13	DS 1612 24	Bolt Flange	2	
14	JN 3516 04	Starter Relay	1	With Grommet
15	30 2011 04	Fuse Box Assly.	2	For Light Main Fuse
16	30 2010 85	Fuse	2	Light & Main Fuse
17	JA 4022 02	Cable Assly. (Earthing Cable)	1	
18	JW 4022 02	Cable Assly. Starter Relay to Motor	1	
19	30 1910 48	Band (Harness) (123 mm)	5	Length 123 mm
20	DJ 2011 09	Rear Brake Switch	1	
21	JD 4018 03	Adapter with 530 MM Vent Tube	1	18.6.2010

Tool Kit



No.	Part No.	Description	Qty.	Remarks
1	JD 2310 00	Tool Kit	1	For Reference Only

Accessories / Grab Handle



No.	Part No.	Description	Qty.	Remarks
1	JD 2312 01	Leg Guard	1	
2	39 0798 15	Bolt Flange	2	
3	JD 2312 02	Saree Guard	1	Old
	JD 2312 04	Saree Guard	1	New
4	JD 2314 02	Grab Handle with Foam LH	1	
	JD 2314 08	Grab Handle with Foam LH	1	Black
5	39 1946 04	Flange Bolt	4	For Mounting Grab Handle
6	JD 2314 03	Grab Handle Foam RH	1	
	JD 2314 09	Grab Handle with Foam RH	1	Black
7	DJ 1610 79	Foam LH	1	
8	DJ 1610 80	Foam RH	1	
9	36 JW00 13	Kit Leg Guard	2	} Saree Gaurd Mtg.
10	39 1518 04	Hexagon Head Bolt	2	
11	39 1540 11	Plain Washer	2	
12	39 1912 04	Bolt Flange	1	
13	39 2711 15	Nut Flange M-6	2	
14	JD 2312 03	Ladies Foot Rest	1	
15	39 1849 04	Flange Bolt M-10	1	For ladies foot rest.