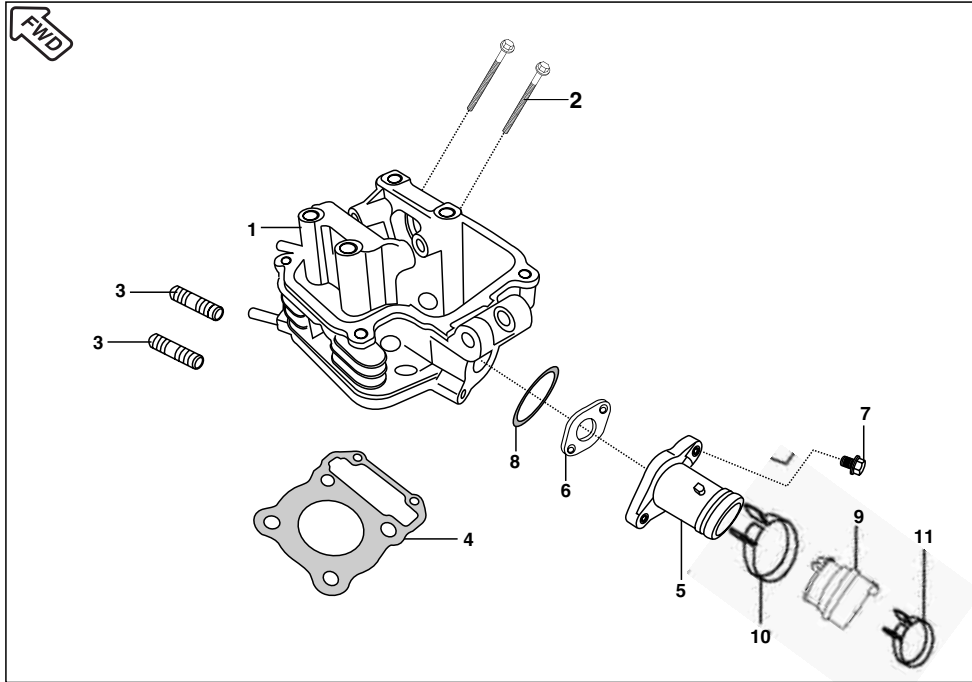
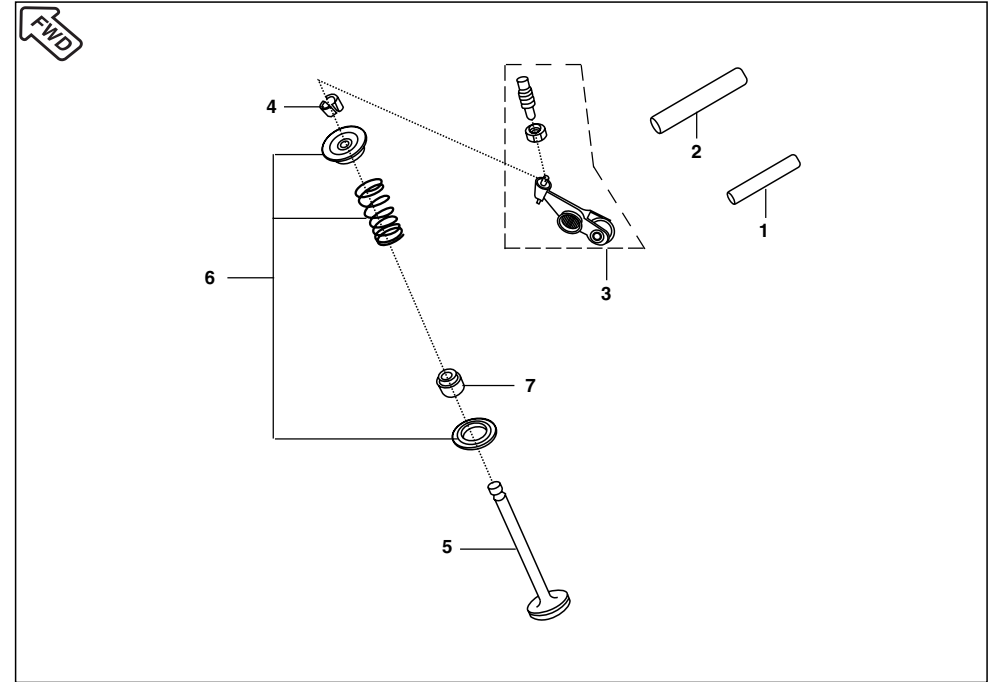


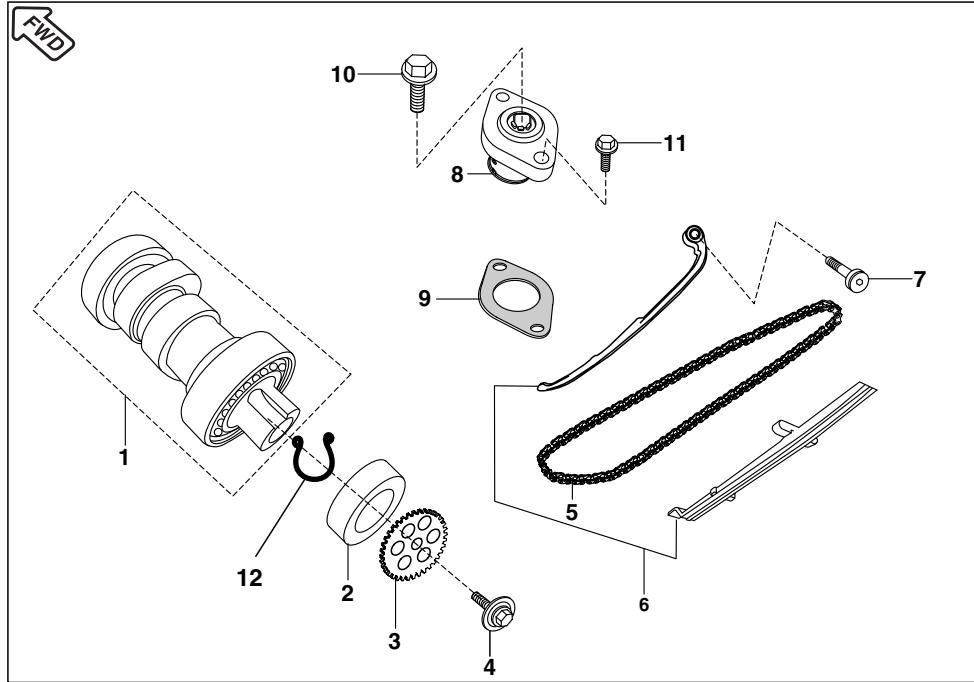
No.	Part No.	Description	1A	1B	Remarks
			ES	KS	
1	JA 5110 09	Cover Complete cylinder head	1	1	
2	59 0400 38	Bolt flange	4	4	
3	JA 5110 12	"O" ring head cover	1	1	
4	JA 5110 08	Bolt flange	4	4	
5	JA 5110 07	Plate breather	1	1	
6	JA 5110 11	Breather tube	1	1	
7	JA 5110 29	Wire Clip	1	1	



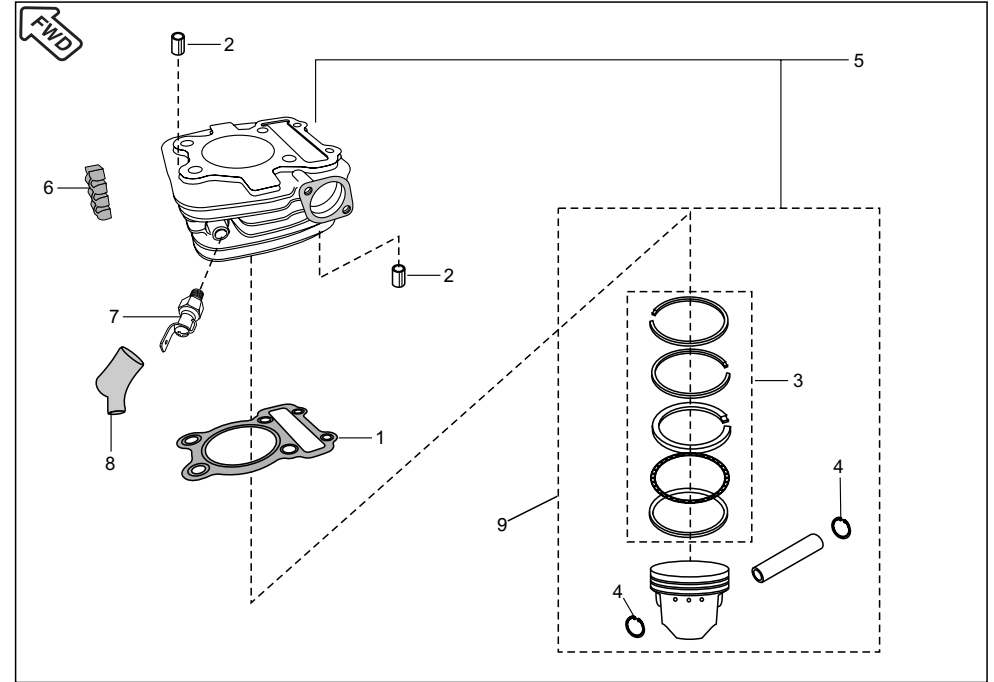
No.	Part No.	Description	2A	2B	Remarks
			ES	KS	
1	JA 5110 30	Head Cylinder complete	1	1	with Valve guides & Studs
2	JA 5110 08	Bolt head mtg.	2	2	
3	JA 5110 28	Stud	2	2	
4	JA 5110 06	Gasket Cylinder Head	1	1	
5	JA 5814 05	Intake manifold (Rubber)	1	1	For Ucal Carburetor
	JA 5814 03	Intake manifold (Alu. Casting)	1	1	For Kehin Carburetor
6	DU 1010 57	Insulator	1	1	
7	JA 5814 06	Bolt flange	2	2	
8	39 1283 21	'O' Ring (Intake Pipe)	2	2	
9	JA 5812 08	Sleeve (Carburator Rubber Duct)	1	1	Ucal Carburetor
10	JA 5812 18	Clamp (35 MM)	1	1	
11	JA 5814 07	Clamp (39 MM)	1	1	



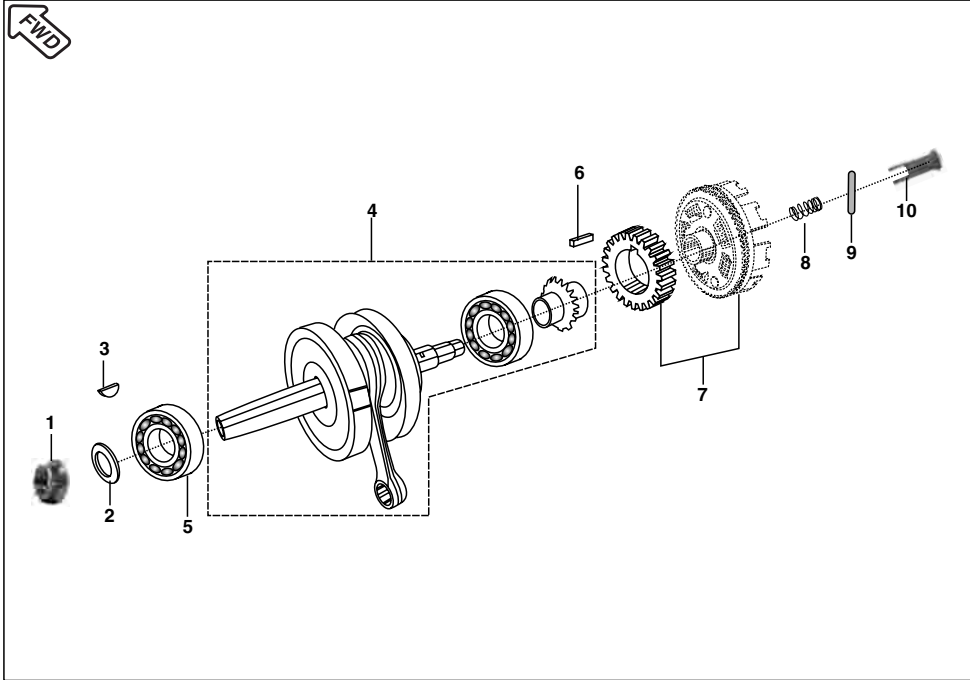
No.	Part No.	Description	3A	3B	Remarks
			ES	KS	
1	JA 5112 10	Shaft Rocker arm intake	1	1	(Length 36mm)
2	JA 5112 11	Shaft rocker arm exhaust	1	1	(Length 48mm)
3	JA 5112 04	Rocker arm with roller	2	2	
4	DG 1010 29	Collet Valve	4	4	
5	36 JA00 02	Valve kit	1	1	Ref. page no.
6	36 JA00 03	Valve repair kit	1	1	Ref. page no.
7	39 2017 19	Seal valve stem	2	2	



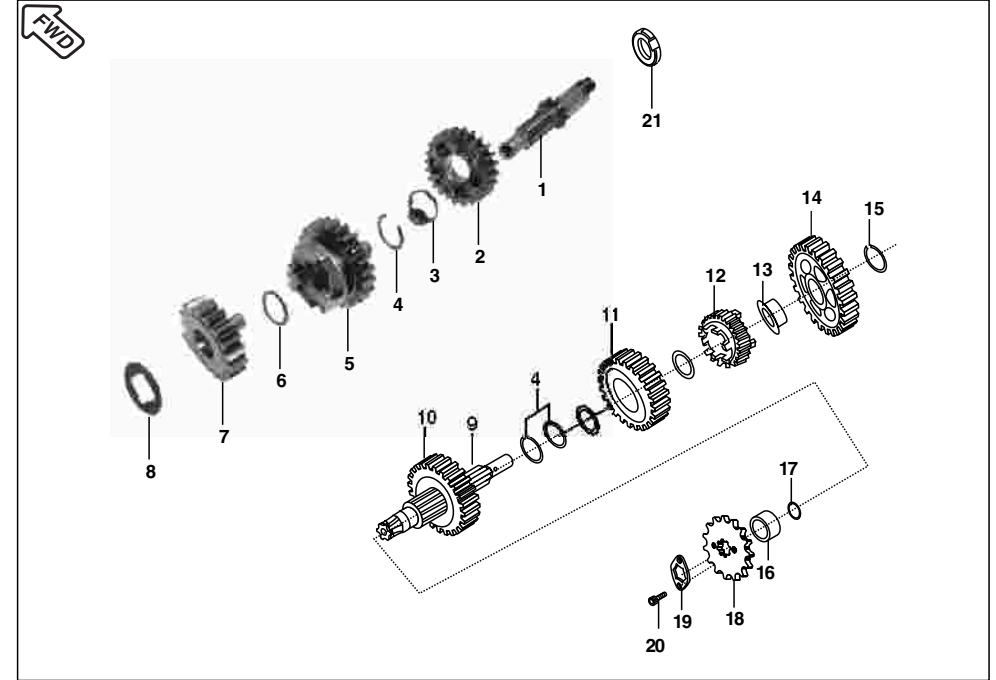
No.	Part No.	Description	4A	4B	Remarks
			ES	KS	
1	JA 5112 12	Camshaft assly.	1	1	
2	JA 5112 16	Specer cam sprocket	1	1	
3	JA 5112 17	Sprocket cam shaft	1	1	
4	JA 5112 18	Bolt integral collar	1	1	
5	JA 5310 11	Cam chain link	1	1	
6	36 JA00 04	Guide chain kit	1	1	Ref. page no. 60
7	DH 1010 11	Bolt special	1	1	
8	JA 5210 17	Adjuster assly chain	1	1	
9	CS 1011 28	Gasket	1	1	
10	JA 5210 18	Bolt	1	1	
11	JA 5210 19	Flange bolt	2	2	Adjuster assly chain mtg.
12	39 0594 17	Circlip for Camshaft	1	1	



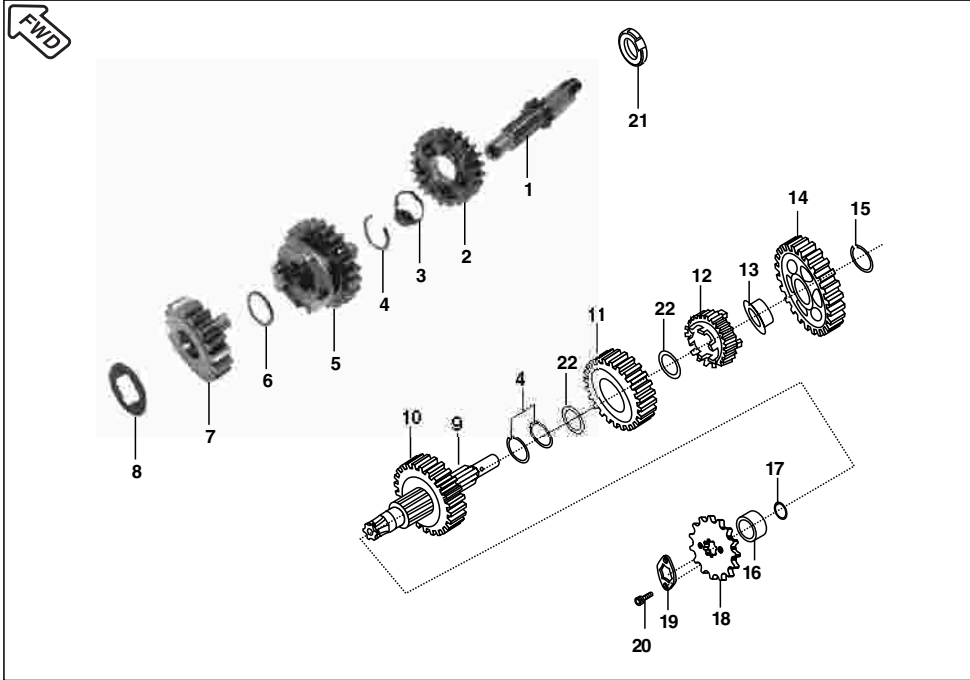
No.	Part No.	Description	5A	5B	Remarks
			ES	KS	
1	JA 5210 01	Gasket cylinder	1	1	
2	39 1000 06	Dowel Pin	2	2	
3	JA 5212 07	Piston ring set	1	1	(Escorts)
4	DP 1011 65	Wire circlip	2	2	
5	JA 5210 14	Cylinder block / Piston assly.	1	1	
6	JA 5210 15	Damper	3	3	
7	JA 3514 00	Thermal sensor	1	1	
8	JB 4022 02	Grommet for thermal sensor	1	1	
9	JP 5212 00	Piston Assly.	1	1	



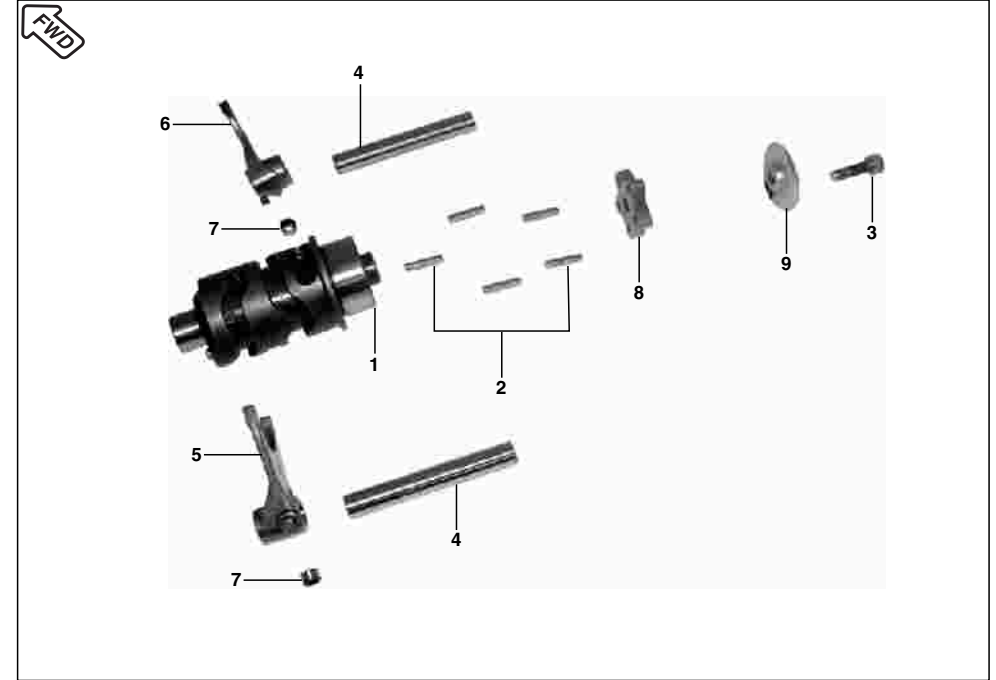
No.	Part No.	Description	6A	6B	Remarks
			ES	KS	
1	59 1500 14	Flange Nut	1	1	
2	59 1100 08	Belleville washer	1	1	
3	31 1011 73	Woodruff key	1	1	
4	JA 5310 00	Crank shaft assly.	1	1	
5	39 1864 20	Ball bearing	1	1	
6	DS 1011 54	Parallel key	1	1	
7	36 JA00 10	Set primary drive / driven	1	1	
8	JA 531012	Spring	1	1	
9	JA 5310 15	Parallel pin	1	1	
10	28 1010 58	Plunger oil	1	1	



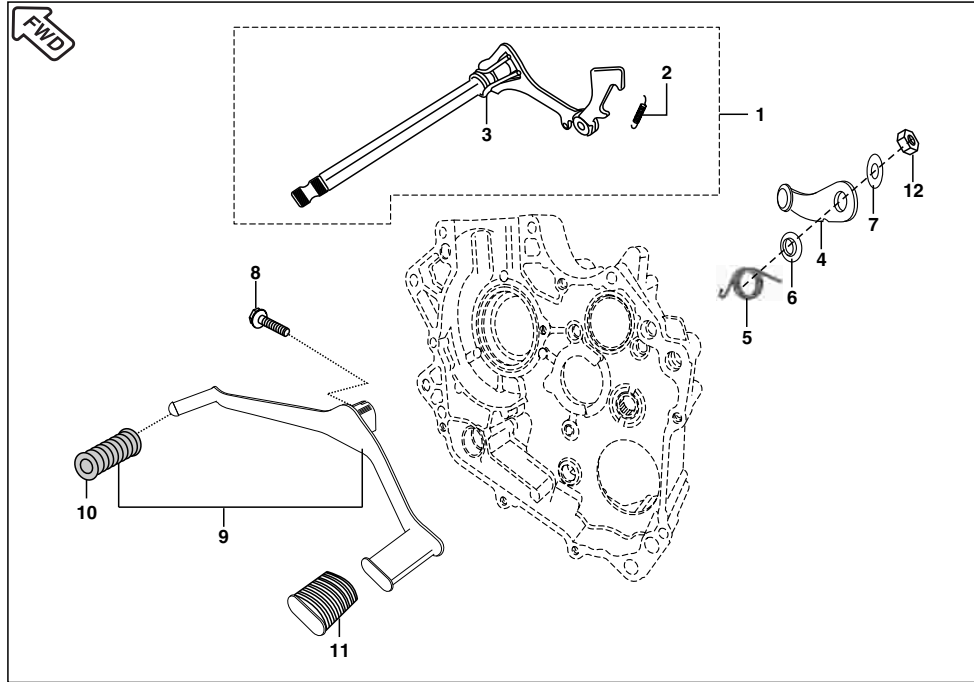
No.	Part No.	Description	7A	7B	Remarks
			ES	KS	
1	JB 5510 01	Shaft input transmission (12T)	1	1	
2	JA 5512 00	Gear 4th drive (24T)	1	1	
3	JA 5510 02	Spline washer	1	1	
4	39 0987 17	Ring snap	4	4	
5	JA 5512 01	Gear 3rd drive (22T)	1	1	
6	DS 1012 90	Washer 2nd drive	1	1	
7	JA 5512 02	Gear 2nd drive (17T)	1	1	
8	JA 5510 04	Washer thrust 2nd drive	1	1	
9	JA 5510 06	Shaft output transmission (34T)	1	1	
10	JA 5512 03	Gear 2nd driven (29T)	1	1	
11	JA 5512 04	Gear 3rd driven (26T)	1	1	
12	JA 5512 05	Gear 4th driven (23T)	1	1	
13	JA 5510 07	Bush 1st driven	1	1	
14	JA 5512 06	Gear 1st driven	1	1	
15	JA 5510 08	Washer thrust	1	1	



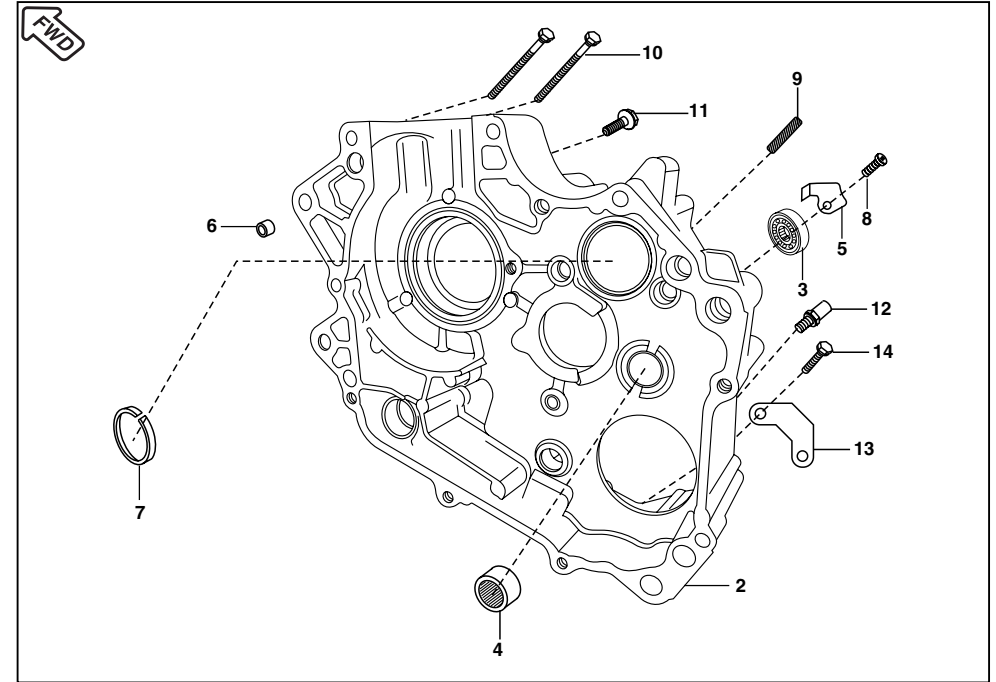
No.	Part No.	Description	7A	7B	Remarks
			ES	KS	
16	JA 5510 09	Caller sprocket drive	1	1	
17	59 2100 24	"O" ring caller sprocket	1	1	
18	JA 5510 10	Sprocket drive (15T)	1	1	
19	DU 1012 13	Plate lock sprocket	1	1	
20	39 1981 04	Socket head bolt	2	2	
21	JA 5310 07	Flange nut	1	1	
22	JA 5510 02	Spline Washer	2	2	



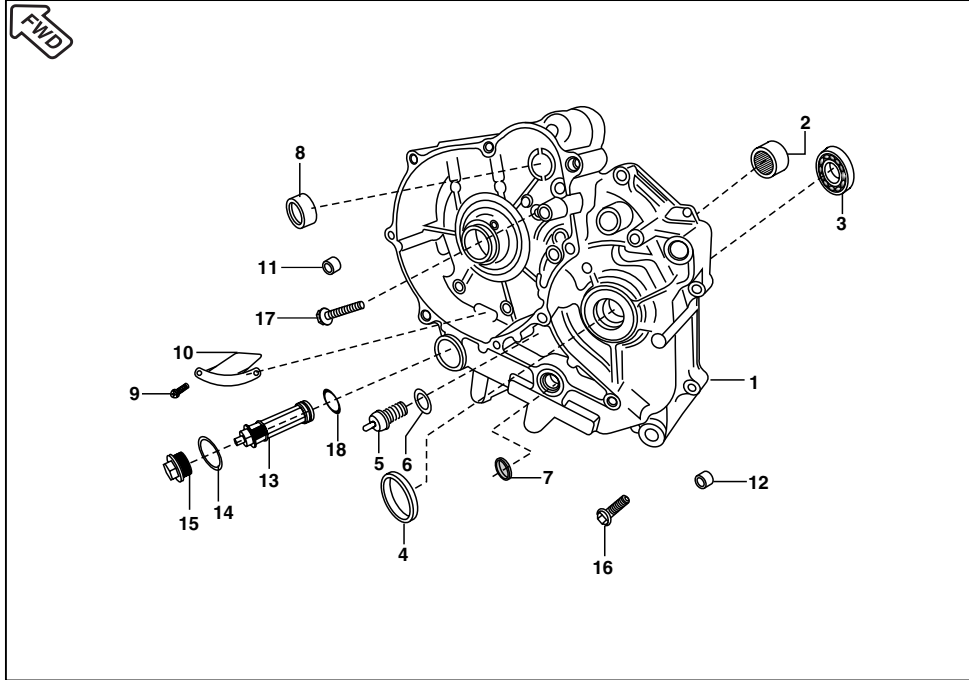
No.	Part No.	Description	8A	8B	Remarks
			ES	KS	
1	JA 5610 00	Drum complete gear shift	1	1	
2	39 0992 06	Dowel	5	5	
3	DP 1013 40	Allen bolt	1	1	
4	JA 5610 04	Shaft gear shift fork	2	2	
5	JA 5610 05	Fork gear shift output	1	1	
6	JA 5610 06	Fork gear shift input	1	1	
7	DK 1011 35	Bush	2	2	
8	JA 5610 02	Cam drum change	1	1	
9	JA 5610 03	Cup washer	1	1	



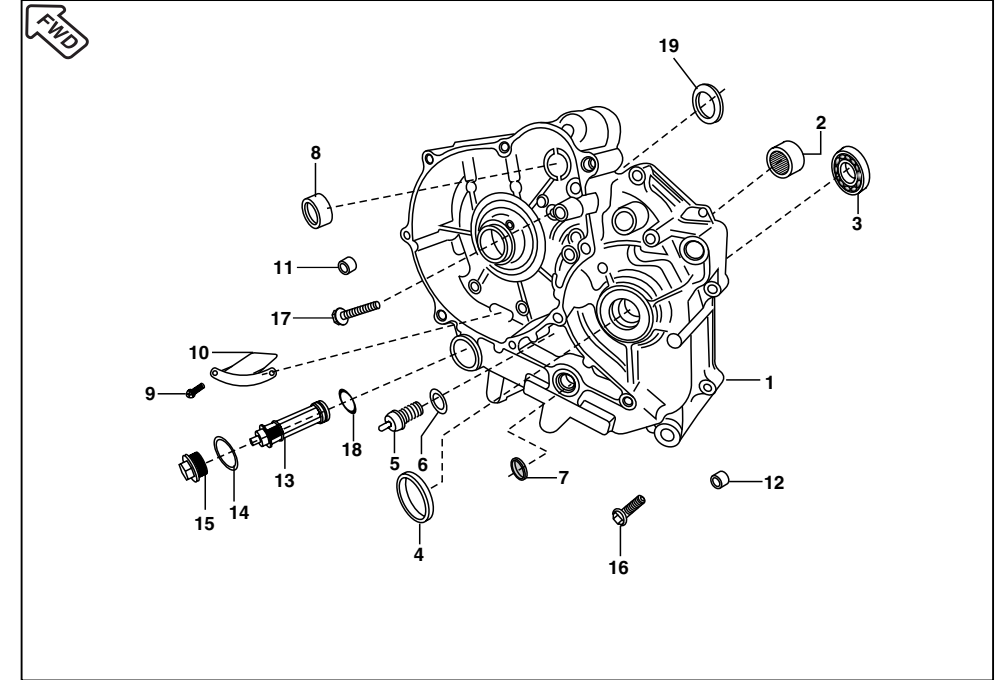
No.	Part No.	Description	9A	9B	Remarks
			ES	KS	
1	JA 5612 00	Lever comp. gear shift	1	1	
2	JA 5612 05	Extension spring	1	1	
3	JA 5612 06	Spring gear shift return	1	1	
4	JA 5612 07	Inhibitor com. gear shift	1	1	
5	JA 5612 08	Spring	1	1	
6	JA 5612 09	Step washer	1	1	
7	39 2704 11	Washer	1	1	
8	39 0817 15	Flange bolt	1	1	
9	JA 5614 00	Lever comp. gear shifter	1	1	with rubber damper
10	DH 1015 09	Damper	1	1	
11	DG 1013 39	Damper	1	1	
12	39 0817 15	Nut	1	1	



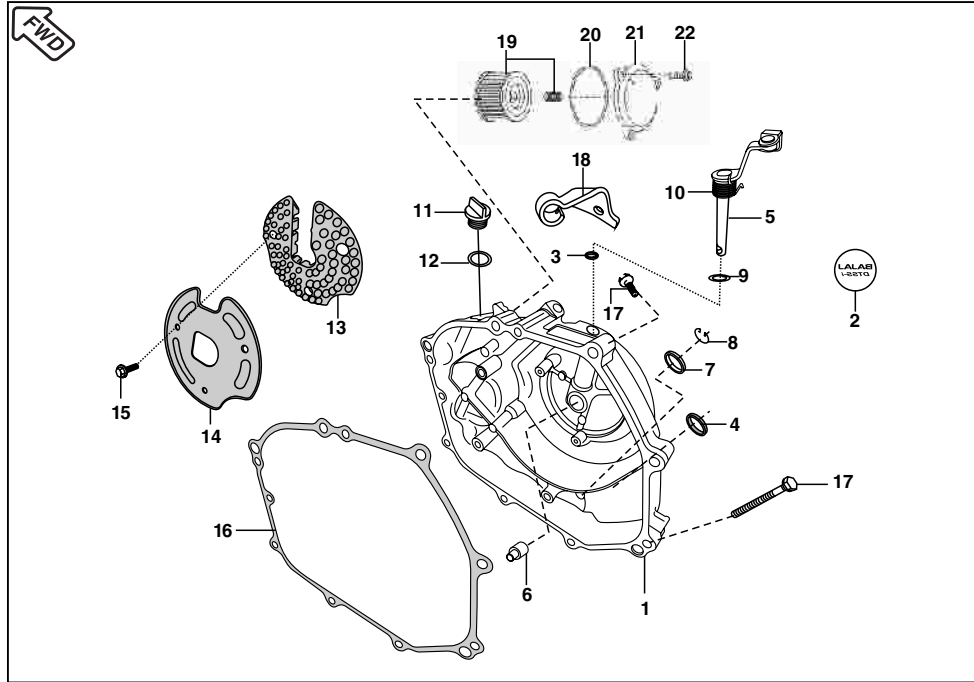
No.	Part No.	Description	10A	10B	Remarks
			ES	KS	
1	JA 5010 00	Engine Assly.	1	--	N.I.
	JP 5010 00	Engine Assly.	--	1	N.I.
2	JA 5410 45	Crankcase RH	1	--	NRB + bush + stud
3	59 2000 36	Bearing Ball	1	1	
4	JA 5410 11	Needle Roller Brg.	1	1	
5	JA 5410 10	Stopper Plate	1	1	
6	39 1000 06	Dowel Pin	2	2	
7	DU 1010 85	Bushing	1	1	
8	39 0746 01	Screw	1	1	
9	JA 5410 15	Stud inhibitor mtg.	1	1	
10	JA 5412 35	Bolt	2	2	Cr. case mtg.
11	59 0400 38	Bolt flange	1	1	
12	JA 5410 14	Bolt shift change	1	1	
	52 JA00 29	Bolt Precoated	1	1	Alt. for JA541014
13	JA 5410 12	Guide kick	1	1	
14	39 1964 04	Hexagon bolt	2	2	



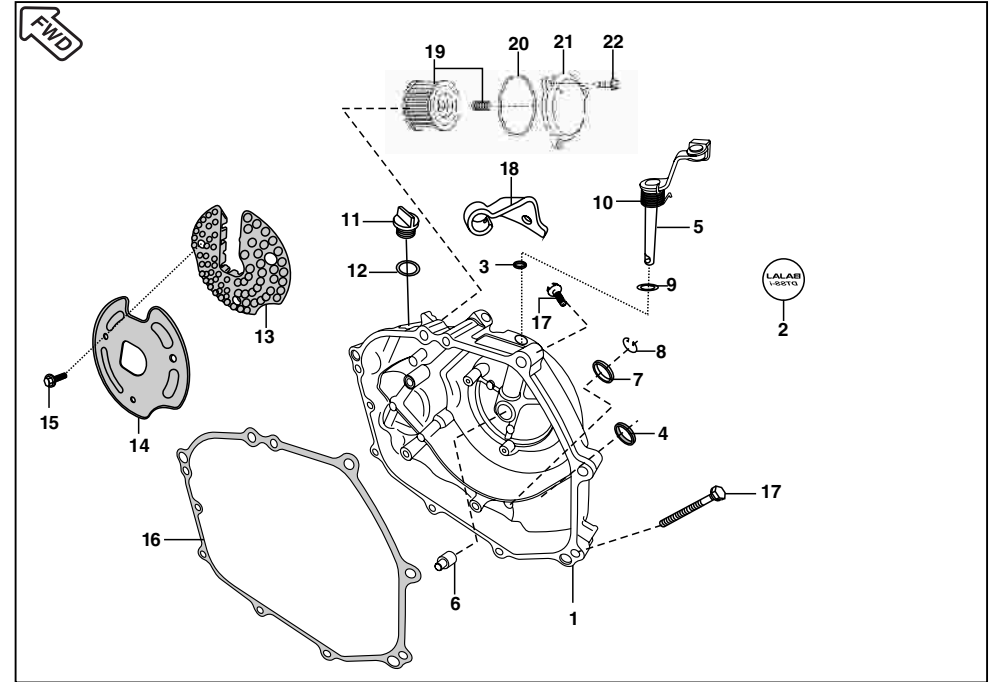
No.	Part No.	Description	11A	11B	Remarks
			ES	KS	
1	JA 5410 46	Crankcase LH	1	--	NRB + Bush + Orifice
	JP 5410 09	Crankcase LH	--	1	NRB + Orifice
2	39 2562 20	Needle roller bearing	1	1	
3	59 2000 36	Ball bearing	1	1	
4	39 1715 19	Seal oil	1	1	Output shaft
5	31 2010 81	Neutral switch	1	1	
6	DH 1012 64	Gasket neutral switch	1	1	
7	39 2190 19	Oil seal	1	1	Shifter shaft
8	JA 5410 05	Bush brass	1	1	Starter clutch
9	39 0747 01	Pan head screw	2	2	
10	JA 5410 34	Stopper gear starter clutch	1	1	
11	39 1000 06	Hollow dowel pin	2	2	
12	39 0999 06	Hollow dowel pin	2	2	
13	JA 5410 19	Mesh filter oil pump	1	1	
14	59 2100 23	"O" ring cap strainer	1	1	
15	JA 5410 21	Cap strainer	1	1	



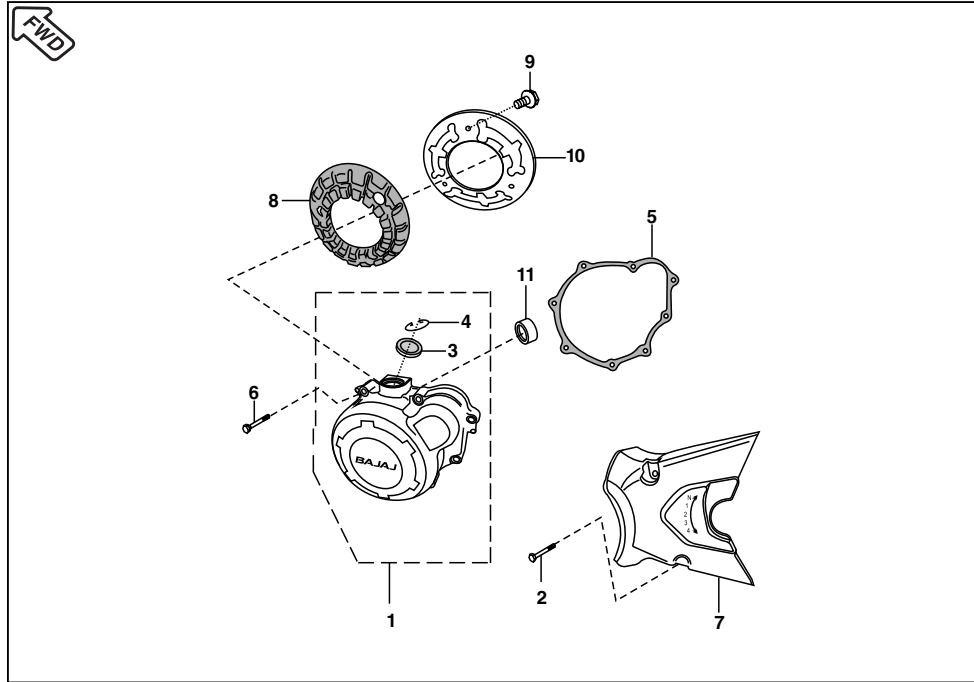
No.	Part No.	Description	11A	11B	Remarks
			ES	KS	
16	59 0400 38	Bolt flange	6	6	
17	39 1759 04	Bolt	1	1	
18	JA 5410 20	"O" ring mesh filter oil pump	1	1	
19	JA 5410 27	Damper for Crankshaft	1	1	



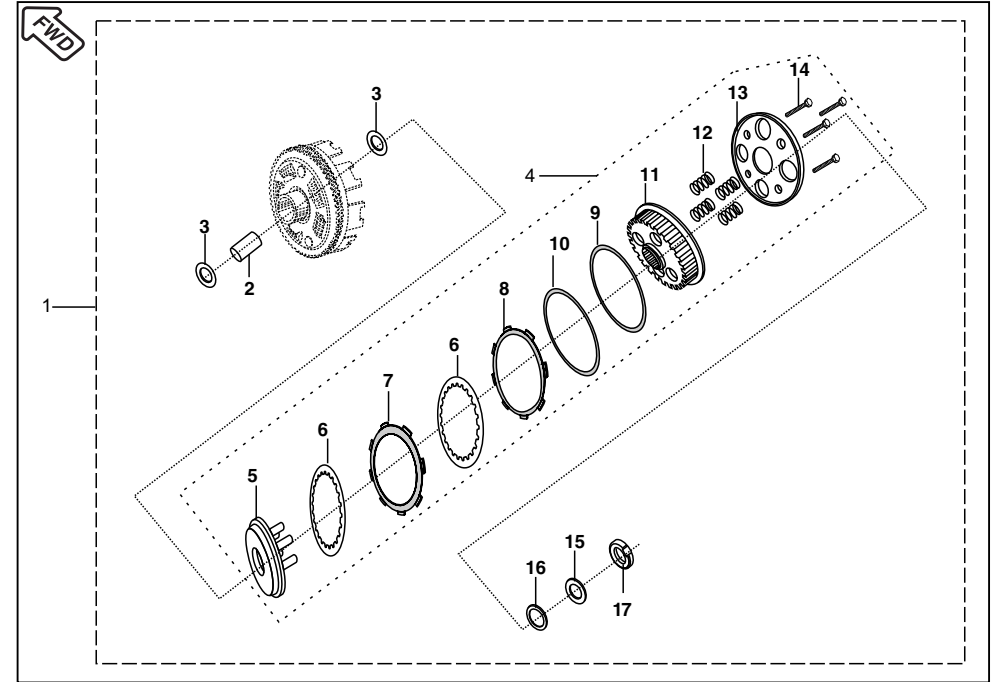
No.	Part No.	Description	12A	12B	Remarks
			ES	KS	
1	JA 5412 40	Clutch cover	1	1	with Decal + Gauge + Circlip
2	JA 2330 00	Decal clutch cover	1	1	
3	39 1041 19	Oil seal clutch cover	1	1	
4	30 1011 42	Oil seal (kick shaft)	1	1	
5	JA 5412 09	Shaft clutch release	1	1	
6	DP 1012 69	Rod push	1	1	
7	DG 1014 18	Gauge	1	1	oil level check
8	DS 1012 15	Wire circlip	1	1	
9	JA 5412 36	Plain washer	1	1	
10	JA 5412 37	Spring torsion clutch lever	1	1	
11	JA 5412 11	Cap oil filler	1	1	
12	JA 5412 25	"O" ring cap oil filler	1	1	
13	JA 5412 15	Damper	1	1	
14	JA 5412 16	Plate damper	1	1	
15	39 2208 04	Bolt flange	3	3	



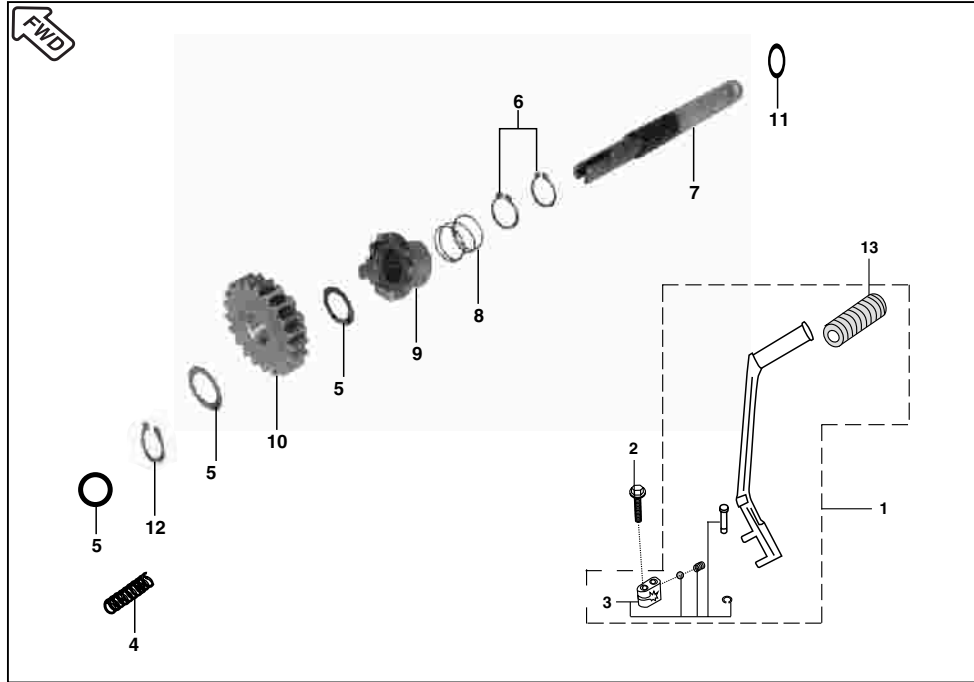
No.	Part No.	Description	12A	12B	Remarks
			ES	KS	
16	JA 5412 12	Gasket clutch cover	1	1	
17	59 0400 38	Bolt flange	8	8	Clutch cover to C'case mtg.
18	JA 5412 22	Bkt. clutch cable	1	1	
19	DD 1211 81	Oil filter assly.	1	1	
20	39 1671 21	"O" ring	1	1	
21	JA 5412 19	Cap filter	1	1	
22	JA 5410 19	Bolt flange	3	3	



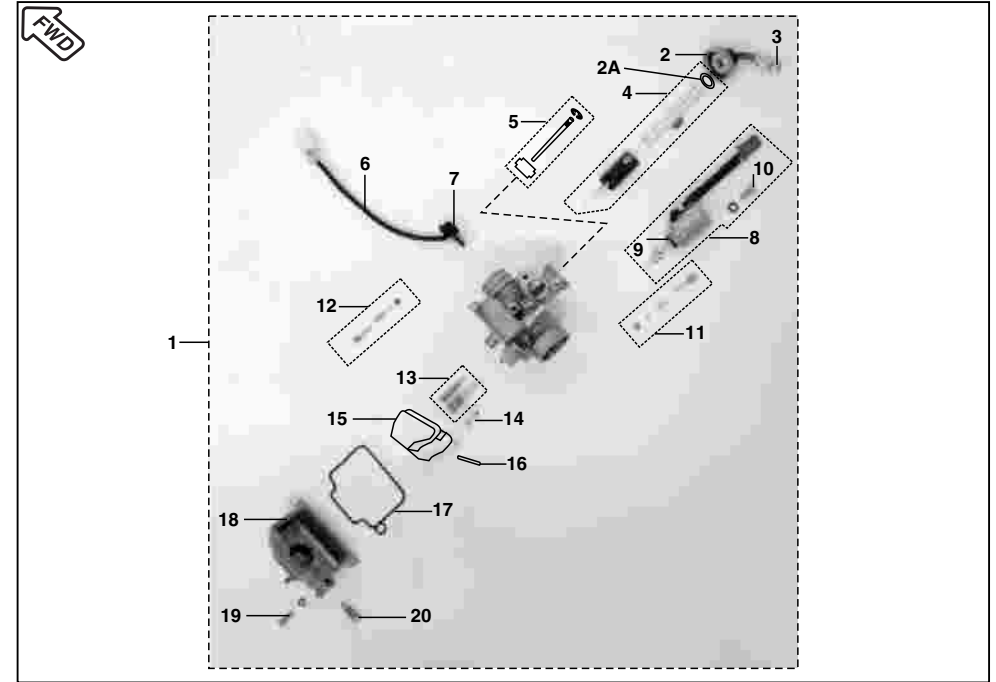
No.	Part No.	Description	13A	14B	Remarks
			ES	KS	
1	JA 5412 41	Cover magneto	1	--	With bush (Threaded cap design) (Gauge + Circlip)
	JP 5412 05	Cover magneto	--	1	
2	59 0400 38	Bolt	2	2	
3	DG 1014 18	Gauge	1	1	
4	DS 1012 15	Wire Circlip	1	1	
5	JA 5412 05	Gasket Magneto Cover	1	--	
	JP 5412 08	Gasket Magneto Cover	--	1	
6	JA 5410 44	Bolt flange	8	8	
7	JA 5412 14	Cover LH Rear with Decal	1	--	
	JP 5412 03	Cover LH Rear with Decal	--	1	
8	JA 5412 20	Damper Cover LH	1	1	
9	39 2208 04	Flanged Bolt	3	3	
10	JA 5412 21	Plate Damper Cover LH	1	1	
11	JA 5410 05	Bush	1	1	
12	JA 5412 33	Threaded Cap	1	1	N.I. From Nov. 2007
13	30 1011 95	"O" Ring	1	1	N.I. From Nov. 2007



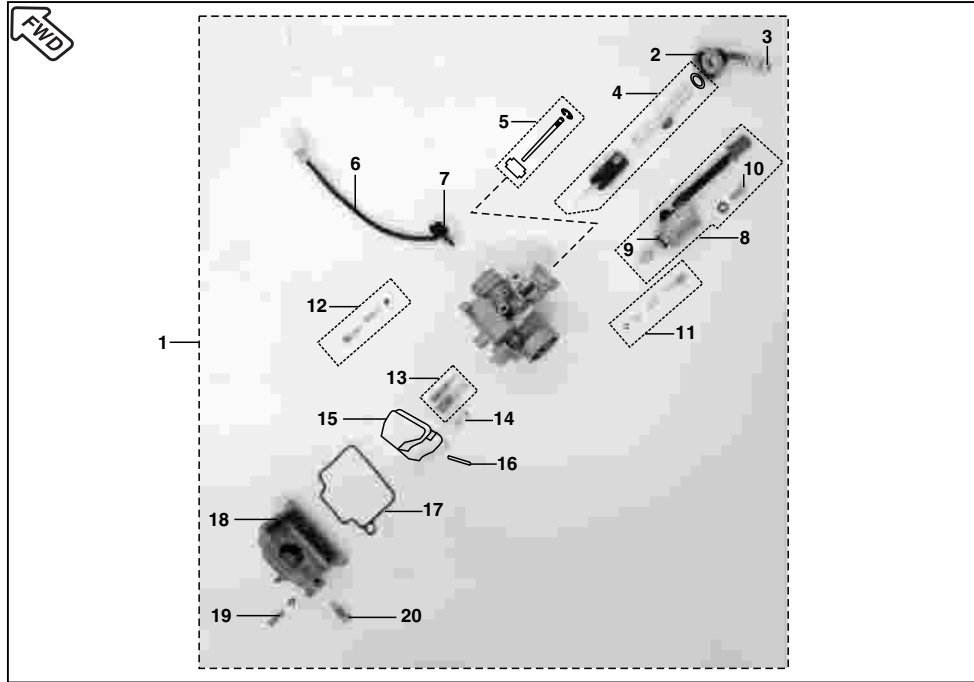
No.	Part No.	Description	14A	14B	Remarks
			ES	KS	
1	JA 5514 00	Clutch assly. complete	1	1	
2	JA 5514 06	Collar clutch	1	1	
3	39 2600 11	Washer	2	2	
4	JA 5514 13	Clutch plate assly.	1	1	
5	JA 5514 14	Wheel clutch	1	1	
6	JA 5514 19	Plate clutch	4	4	
7	JA 5514 18	Plate friction	4	4	(45 Segments)
8	JA 5514 17	Plate friction reduced	1	1	(30 Segments)
9	JA 5514 21	Plate judder	1	1	One side chamfer
10	JA 5514 22	Spring judder	1	1	
11	JA 5514 15	Hub clutch	1	1	
12	JA 5514 23	Compression spring	4	4	
13	JA 5514 08	Holder	1	1	
14	39 1553 04	Bolt upset	4	4	
15	JA 5514 16	Belleville washer	1	1	
16	JA 5514 20	Plain Washer	1	1	
17	JA 5310 07	Nut	1	1	Hub clutch lock



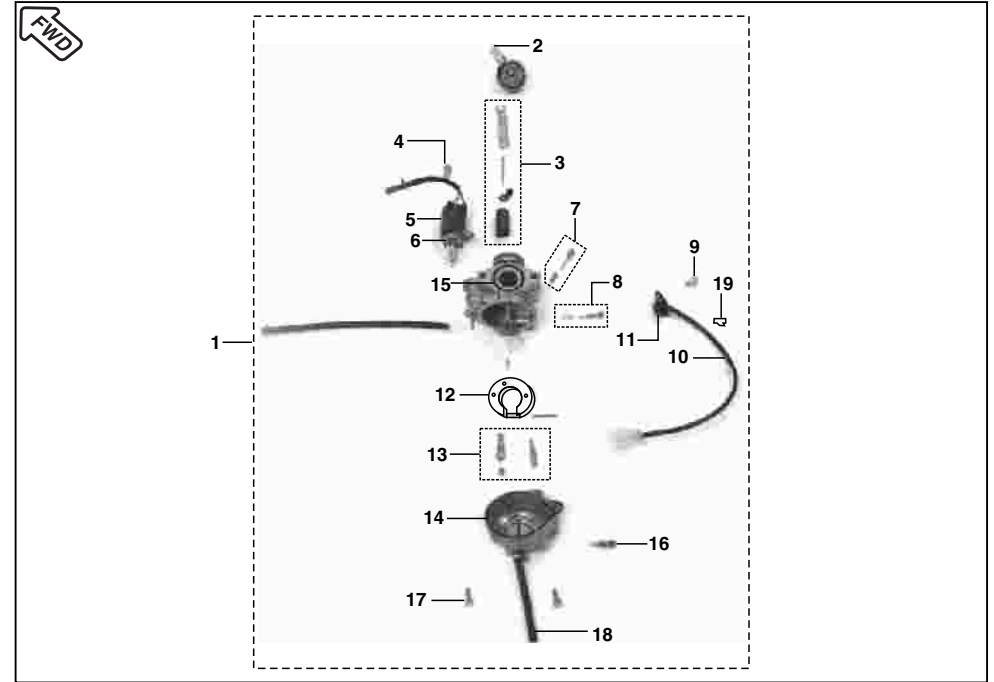
No.	Part No.	Description	15A	15B	Remarks
			ES	KS	
1	JA 6212 01	Lever assly. kick	1	1	
2	DP 1510 18	Bolt Special	1	1	
3	36 DU10 07	Boss Kick Set	1	1	Ref. page no. 65
4	DH 1011 25	Spring Kick Start Return	1	1	
5	39 0993 11	Plain Washer small	3	3	
6	39 0738 17	Circlip	2	2	
7	JA 6210 01	Spindle Kick Starter	1	1	
8	DS 1011 17	Spring Kick Starter	1	1	
9	JA 6210 02	Ratchet	1	1	
10	JA 6210 03	Gear spur kick starter	1	1	
11	JA 6210 06	Washer Thrust	1	1	
12	39 2408 17	Circlip	1	1	
13	DD 1010 97	Kick rubber	1	--	



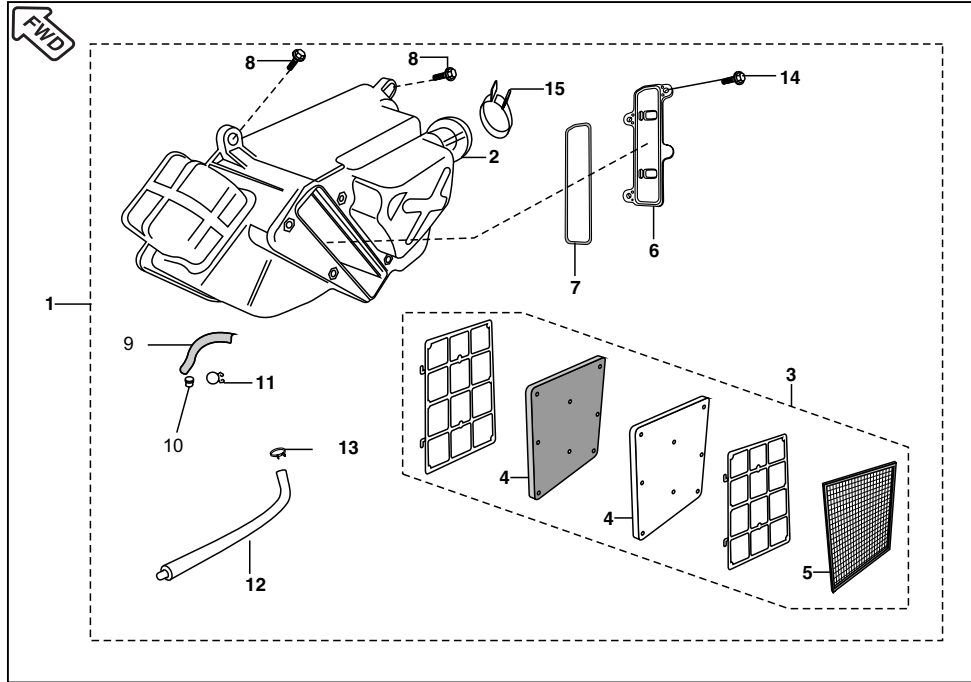
No.	Part No.	Description	16A	16B	Remarks
			ES	KS	
1	JA 5812 09	Carburettor assly.	1	1	
2	JA 5812 23	Mixing cap assly	1	1	
2A	JA 5812 32	'O' Ring	1	1	
3	CB 1210 61	Cable adjuster	1	1	
4	JA 5812 45	Piston valve kit	1	1	Ref. page no. 66
5	JA 5812 41	Needle jet kit	1	1	
6	JB 5812 02	Throttle position sensor	1	1	
7	JA 5812 38	"O" ring (TPS)	1	1	
8	JA 5812 39	Solenoid choke assly	1	1	
9	JA 5812 40	"O" ring (solenoid fixing)	1	1	
10	JA 5812 33	Screw	2	2	
11	JA 5812 42	Air screw kit	1	1	Ref. page no.
12	JA 5812 43	Idling screw kit	1	1	Ref. page no.
13	JA 5812 44	Jet kit	1	1	Ref. page no.
14	JA 5812 21	Needle valve assly	1	1	
15	24 1213 65	Float assly	1	1	



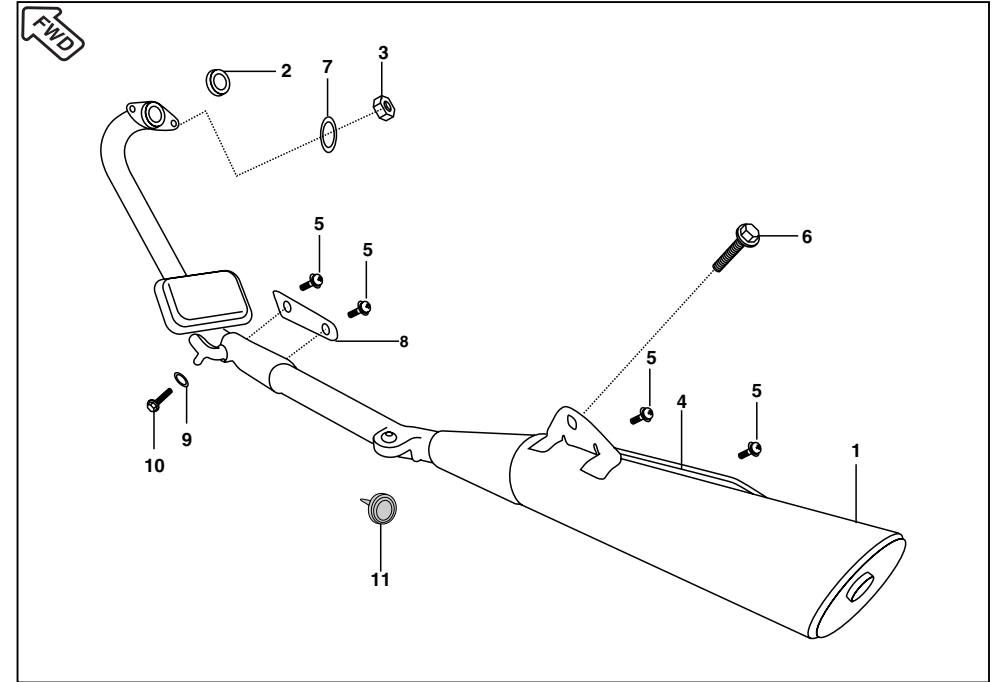
No.	Part No.	Description	16A	16B	Remarks
			ES	KS	
16	24 1210 69	Float pin	1	1	
17	JA 5812 32	"O" ring	1	1	
18	JA 5812 20	Float body assly	1	1	
19	CB 1210 46	Screw	4	4	
20	24 1210 86	Drain screw	1	1	



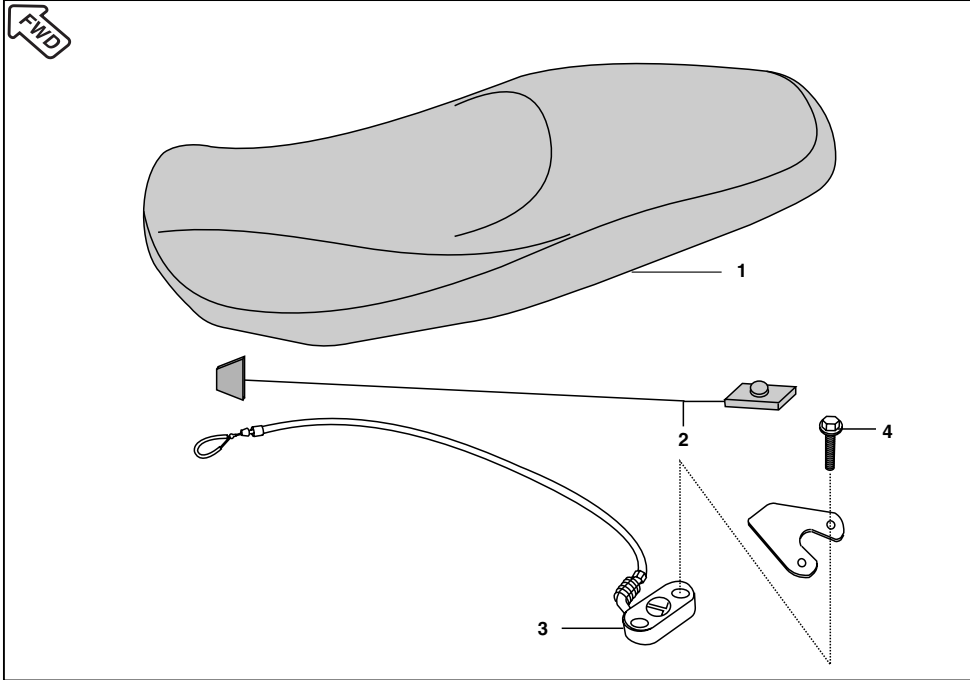
No.	Part No.	Description	16A	16B	Remarks
			ES	KS	
1	JB 5812 00	Carburettor assly.	1	1	
2	JA 5812 91	Cable adjuster	1	1	
3	JA 5813 10	Needle jet kit	1	1	Ref. page no.
4	JA 5813 07	Screw	1	1	
5	JB 5812 05	Solenoid choke assly	1	1	
6	JA 5812 40	"O" ring	1	1	
7	JA 5813 11	Air screw kit	1	1	Ref. page no.
8	JA 5813 12	Idling screw kit	1	1	Ref. page no.
9	JA 5813 09	Screw	1	1	
10	JB 5812 02	Throttle position sensor	1	1	
11	JA 5812 38	"O" Ring	1	1	
12	JA 5812 68	Float Complete	1	1	
13	JA 5813 13	Jet kit	1	1	Ref. page no.
14	JA 5812 76	Gasket	1	1	
15	JA 5813 01	"O" ring	1	1	
16	JA 5812 78	Drain Screw	1	1	
17	JA 5812 77	Screw Washer Bowl M4x14	1	1	
18	JA 5812 98	Tube Over Flow	1	1	
19	JA 5812 38	'O' Ring (TPS)	1	1	



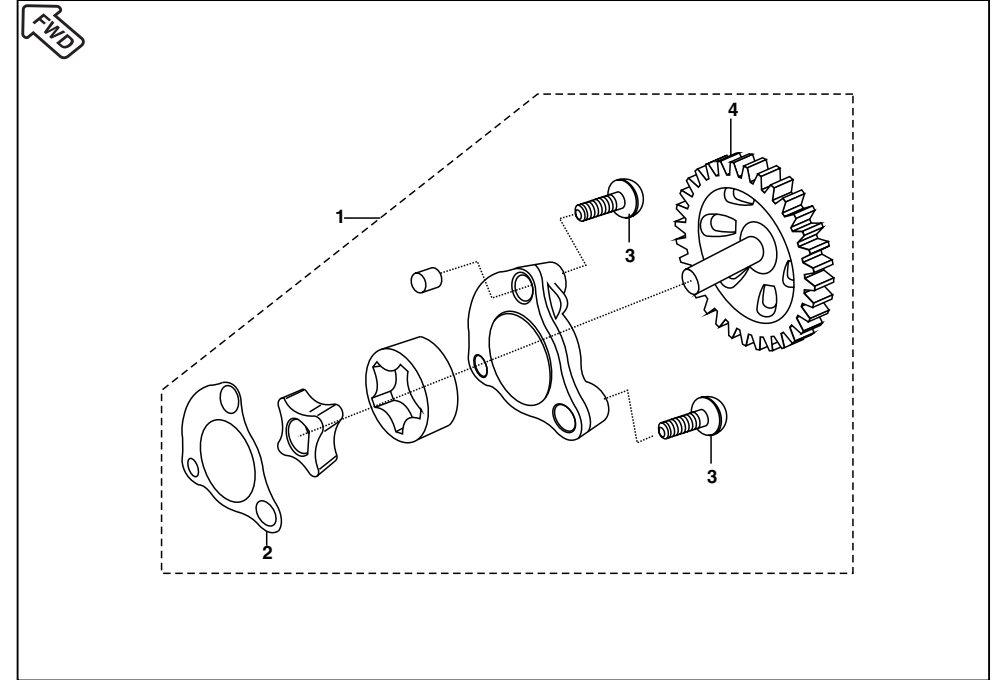
No.	Part No.	Description	17A	17B	Remarks
			ES	KS	
1	JA 5810 17	Air filter assly	1	1	For Ucal Carburettor
	JP 5810 00	Air Filter Assly.	1	1	For Kehin Carburettor
2	JA 5810 16	Air Filter duct	1	1	For Ucal Carburettor
	JA 5810 15	Connecting Tube	1	1	For Kehin Carburettor
3	JA 5810 05	Cartridge assly.	1	1	
4	JA 5810 06	Element air filter	2	2	
5	JA 5810 09	Flame arrestor	1	1	
6	JA 5810 10	Cartridge cover	1	1	
7	JA 5810 11	"O" ring cartridge	1	1	
8	39 1773 04	Flange bolt	4	4	
9	JA 5810 12	Tube drain	1	1	
10	DS 1211 26	Plug	1	1	
11	DP 1210 25	Clamp	1	1	
12	JA 5110 11	Hose breather	1	1	
13	JA 5110 29	Clamp breather	1	1	
14	39 1673 04	Flange bolt	3	3	
15	JA 5812 17	Clamp	1	1	For Ucal Carburettor
	DH 1210 38	Clamp	1	1	For Kehin Carburettor



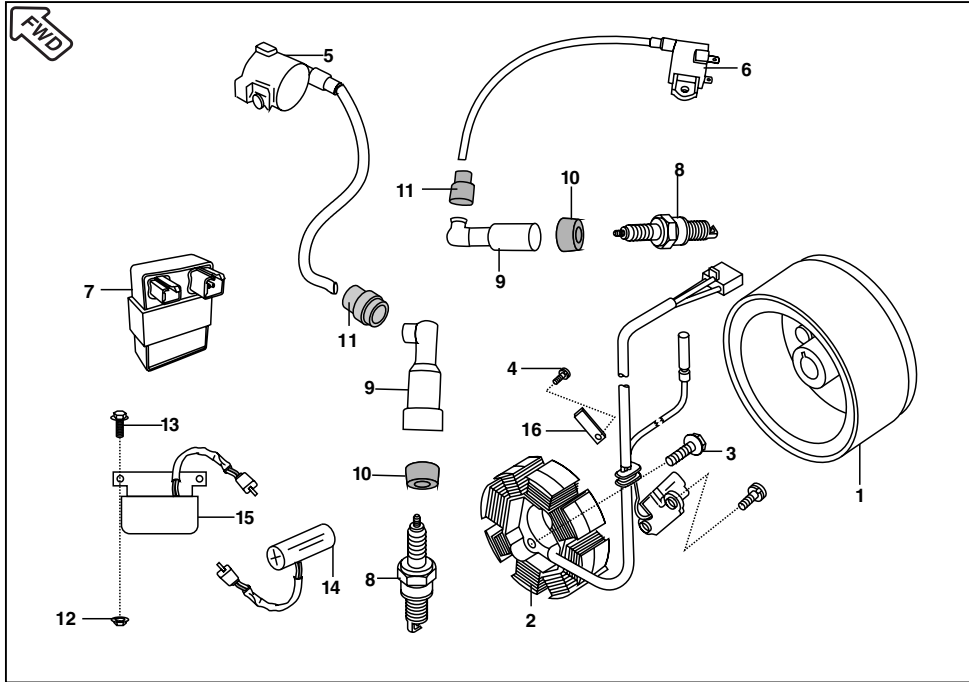
No.	Part No.	Description	18A	18B	Remarks
			ES	KS	
1	JA 5910 42	Silencer assly. W/o shield	1	1	Stand rubber mtd. on silencer
	JA 5910 43	Silencer assly W/o shield	1	1	Stand rubber mtd. on Frame From Nov. 2007 onwards
	JA 5910 46	Silencer assly W/o cat	1	1	
2	CB 1011 14	Gasket exhaust mtg.	1	1	
3	JA 5910 40	Flange nut	2	2	
4	JA 5910 36	Shield silencer	1	1	
5	DH 1016 07	Trues screw	4	4	
6	JB 1130 04	Hex head bolt flange	1	1	
7	39 2492 11	Plain washer	1	1	
8	JA 5910 37	Shield exhaust tube	1	1	(CAT)
9	39 2492 11	Plain washer	1	1	
10	39 2754 04	Bolt	1	1	
11	DG 1612 24	Stand Stopper Rubber	1	1	



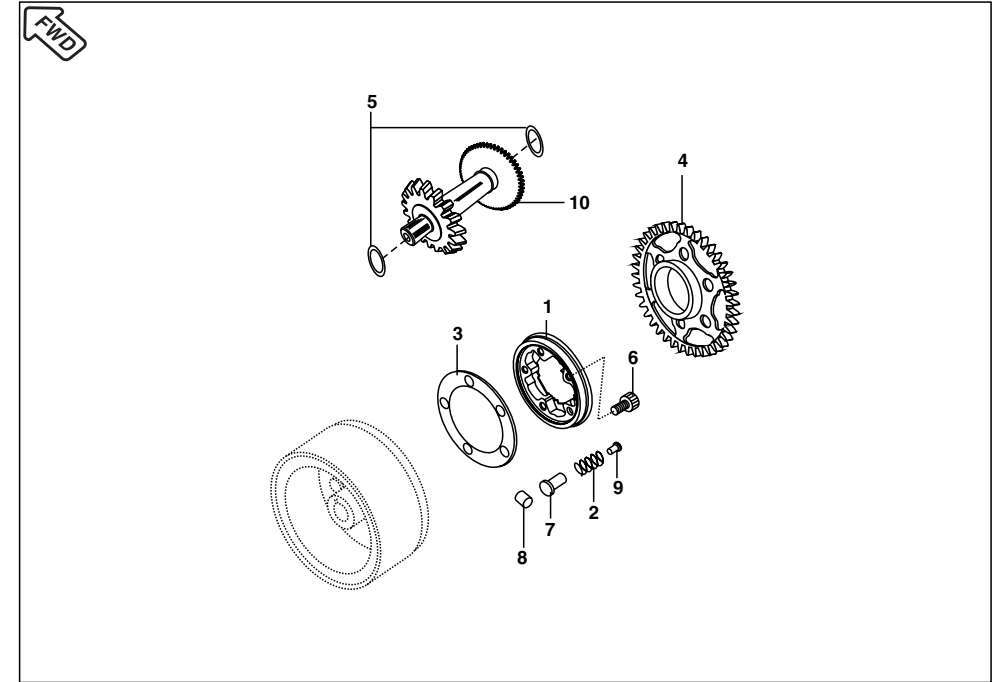
No.	Part No.	Description	19A	19B	Remarks
			ES	KS	
1	JB 1910 00	Seat assy. complete	1	1	Ref. page no.
2	36 DS21 01	Seat damper kit	1	1	
3	JB 1910 03	Lock assy. seat	1	1	
4	39 1902 04	Bolt flange small	2	2	



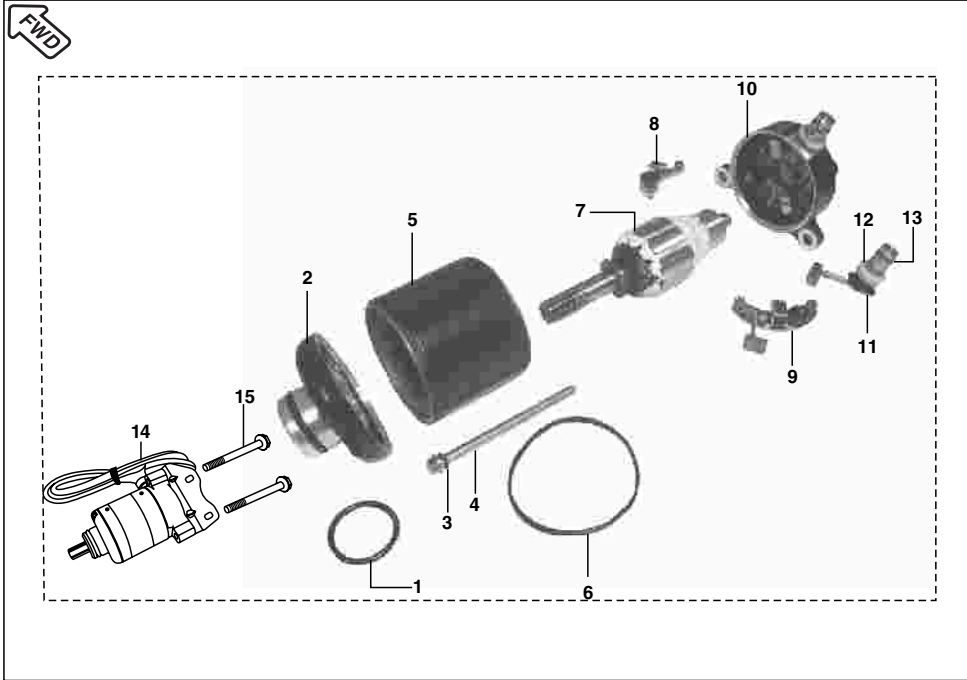
No.	Part No.	Description	20A	20B	Remarks
			ES	KS	
1	52 JA00 23	Oil pump assy.	1	1	
2	JA 5410 16	Gasket case oil pump	1	1	
3	39 0753 01	Pan head screw	3	3	
4	JA 5410 18	Gear driven + shaft oil pump	1	1	



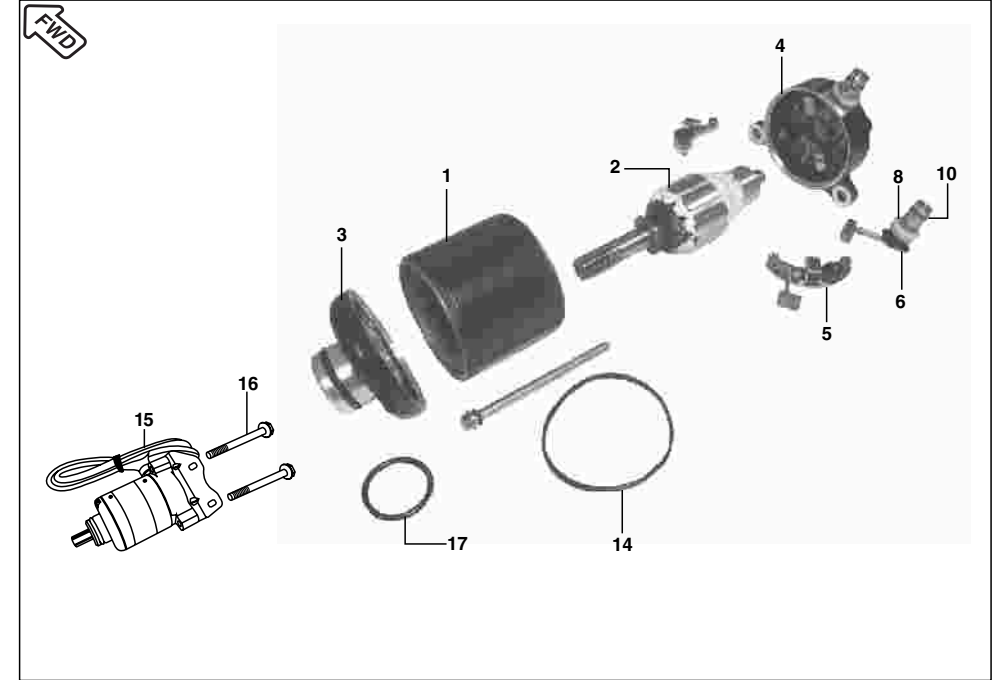
No.	Part No.	Description	21A	21B	Remarks
			ES	KS	
1	JA 3510 00	Roter assly.	1	--	
	JP 3510 01	Roter assly.	--	1	
2	JA 3510 12	Stator assly. complete	1	1	
3	39 1674 04	Bolt flange	2	2	
4	39 0746 01	Pan head screw	3	3	
5	JA 3512 03	Ignition coil with cable & cap LH	1	1	
6	JA 3512 04	Ignition coil with cable & cap RH	1	1	
7	JA 3512 00	C.D.I. assly.	1	1	
8	DG 1110 08	Spark plug	2	2	
9	DD 1110 48	Spark plug cap	2	2	
10	DD 1110 11	Grommet spark plug cap	2	2	
11	DD 1110 12	Grommet for HT cable	2	2	
12	DJ 1810 65	Clip nut	1	1	
13	39 1943 04	Bolt flange	2	2	
14	DK 2010 36	Condenser	1	1	
15	JB 4020 00	DC Regulator	1	--	Till 1st week of Dec. 2007.
	JB 4020 01	Capacitor integral with regulator	1	1	(ES) From 2nd week of Dec. 2007 (KS) Since beginning.
16	JA 5410 28	Lock plate	1	1	



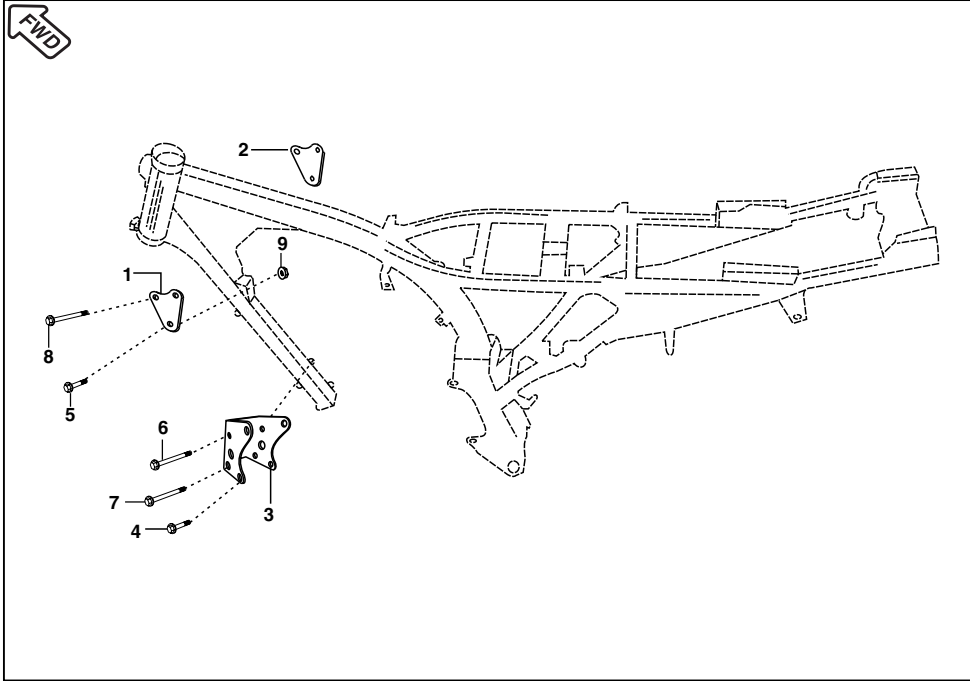
No.	Part No.	Description	22A	22B	Remarks
			ES	KS	
1	JA 6214 03	Body comp. starter clutch	1	--	
2	JA 6214 12	Spring	5	--	
3	DH 1017 81	Plate roller clutch	1	--	
4	JA 6214 10	Gear starter clutch	1	--	
5	JA 6214 02	Washer	2	--	
6	39 2437 04	Bolt socket	3	--	
7	DJ 1011 09	Bush for Spring Starter	5	--	
8	DH 1011 63	Roller	5	--	
9	JA 6214 11	Bush Spring Starter Clutch	5	--	
10	JA 6214 06	Drive assly.	1	--	



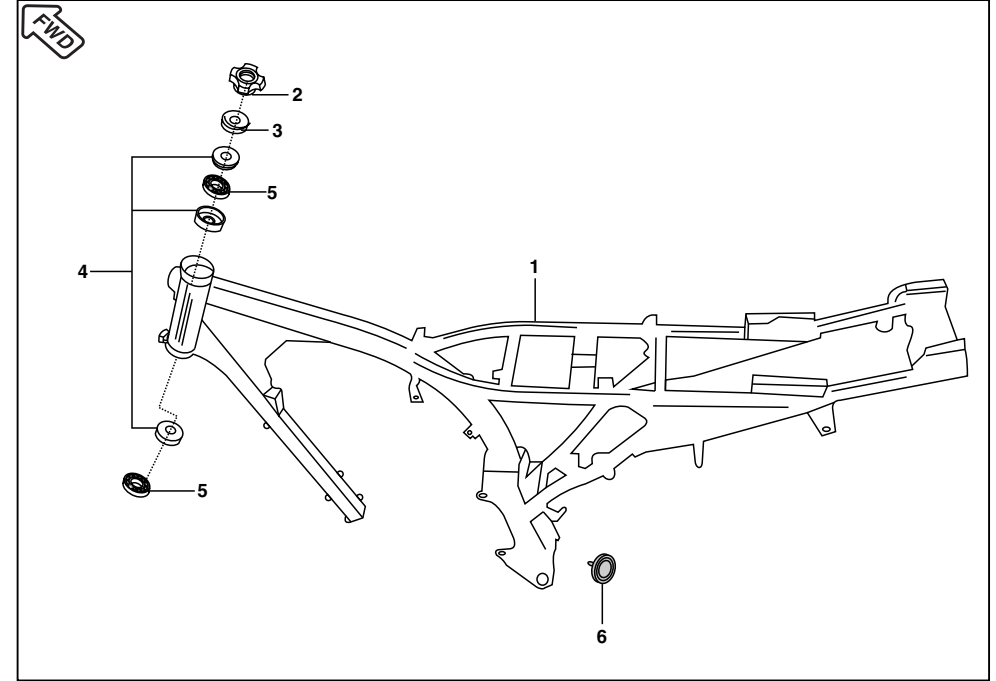
No.	Part No.	Description	22A	22B	Remarks
			ES	KS	
1	JA 3516 02	"O" ring for Motor Assly.	1	--	
2	JA 3516 01	DE bracket assly	1	--	
3	JA 3516 04	"O" ring for tie screw	1	--	
4	JA 3516 03	Tie screw	1	--	
5	JA 3516 05	Yoke assly	1	--	
6	JA 3516 06	Sealing Ring	1	--	
7	JA 3516 07	Armature assly	1	--	
8	JA 3516 08	Positive brush holder assly	1	--	
9	JA 3516 09	Negative brush holder assly	1	--	
10	JA 3516 11	CE bracket assly	1	--	
11	JA 3516 10	Positive terminal assly	1	--	
12	JA 3516 12	"O" ring inside insulator bush	1	--	
13	JA 3516 13	"O" ring	1	--	
14	JA 3516 00	Motor Assly. Stater	1	--	
15	JA 5210 19	Flange Bolt	2	--	



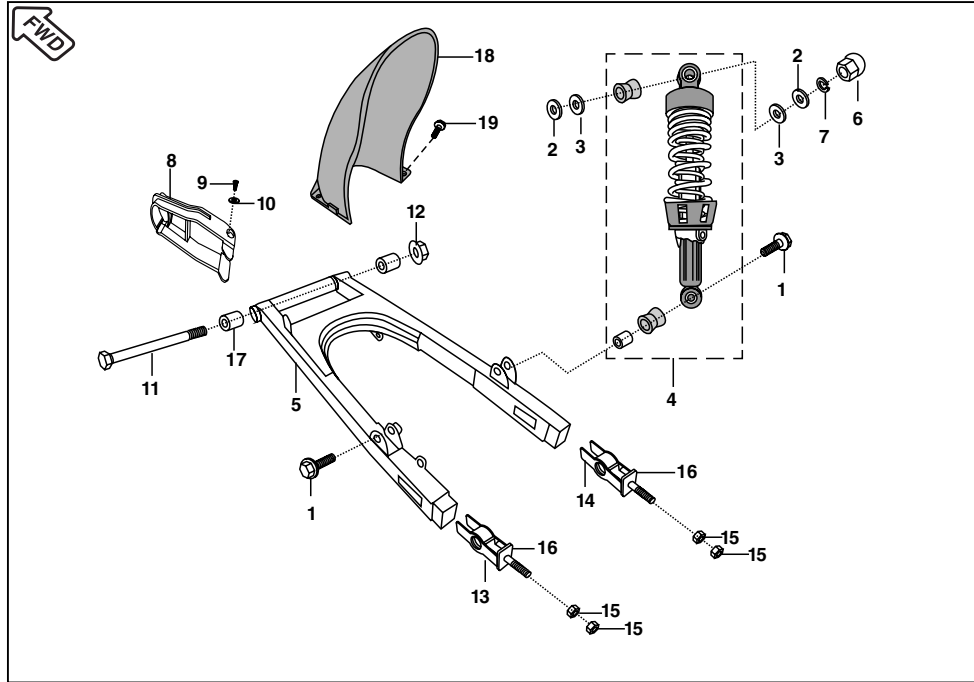
No.	Part No.	Description	22A	22B	Remarks
			ES	KS	
1	JA 3516 14	Yoke Assly.	1	--	
2	JA 3516 15	Armature Assly.	1	--	
3	JA 3516 16	DE Bracket Assly.	1	--	
4	JA 3516 17	CE Bracket Assly.	1	--	
5	JA 3516 18	Brush & Earth Plate Assly.	1	--	
6	JA 3516 19	Terminal Assly.	1	--	N.I.
7	JA 3516 20	Insul Bush	1	--	
8	JA 3516 21	"O" Ring (Terminal Insul)	1	--	
9	JA 3516 22	Insul Bush Outer	1	--	
10	JA 3516 23	"O" Ring Terminal	1	--	
11	JA 3516 24	Brush Spring	2	--	
12	JA 3516 25	"O" Ring (Terminal Bolt)	2	--	
13	JA 3516 26	Seal Yoke	2	--	
14	JA 3516 27	"O" Ring Spigot	1	--	
15	JA 3516 00	Motor Assly.	1	--	
16	JA 5210 19	Flange Bolt	2	--	
17	JA 3516 02	"O" ring for motor assly.	1	--	



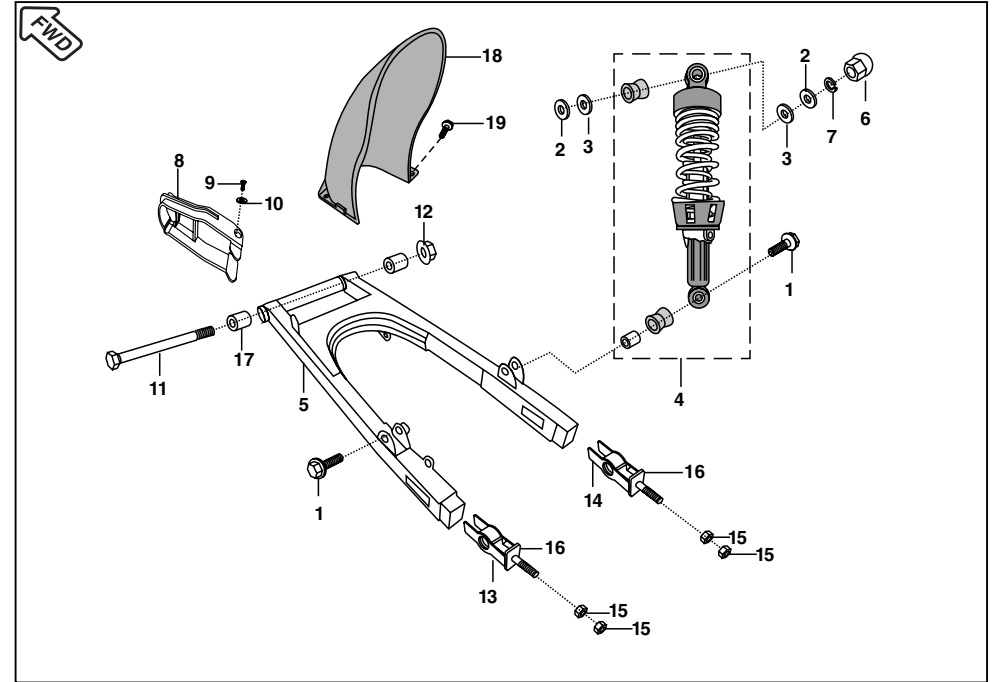
No.	Part No.	Description	23A	23B	Remarks
			ES	KS	
1	JA 1134 00	Bracket engine hanger LH	1	1	
2	JA 1134 01	Bracket engine hanger RH	1	1	
3	JA 1134 02	Engine Mounting bracket front	1	1	
4	39 2723 15	Hex Nut Flanged	2	2	
5	JA 1134 03	Bolt Flanged	2	2	for engine mtg.
6	JA 1134 04	Bolt flanged	3	3	for engine mtg.
7	39 2312 04	Bolt Flanged	3	3	
8	59 0400 17	Hex Bolt Flanged	1	1	
9	39 1970 15	Nut Flanged	7	7	



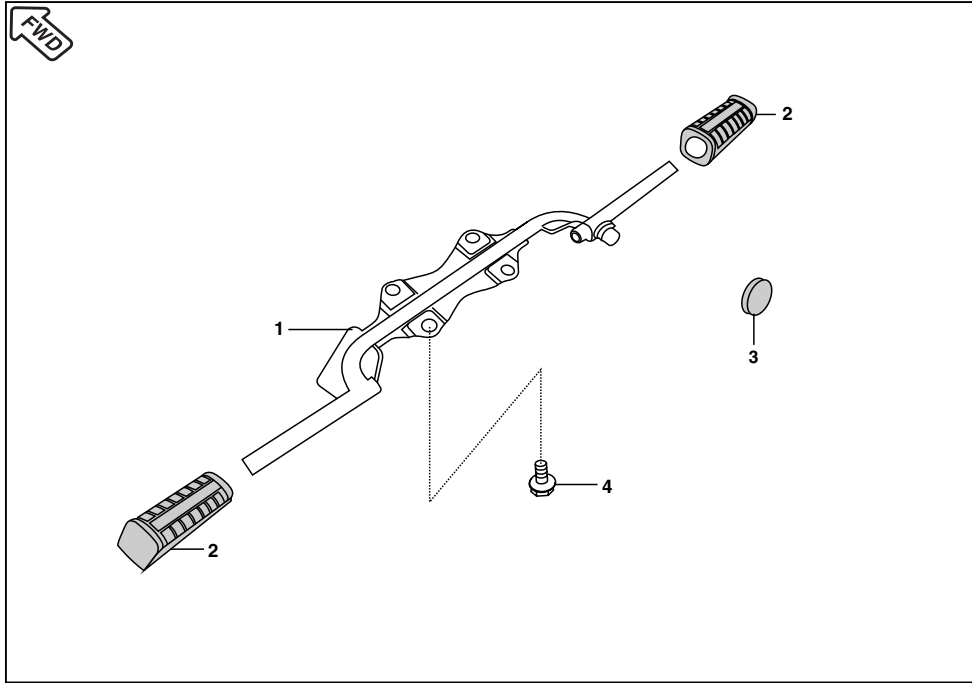
No.	Part No.	Description	24A	24B	Remarks
			ES	KS	
1	JB 1110 48	Frame Assly. comp.	1	1	
	JB 1110 31	Frame Assly. comp.	1	1	Stand rubber Mtd. on silencer
	JB 1110 43	Frame Assly. comp.	1	1	Stand rubber Mtd. on Frame From Nov. 2007 onwards
2	DS 1810 18	Nut Fork	1	1	
3	DH 1810 14	Cup - Steering	1	1	
4	36 DS18 02	Bearing cone Kit	1	1	Ref. page no.
5	DJ 1811 15	Cage Bearing	2	2	
6	JN 1132 00	Stand stopper rubber	1	1	



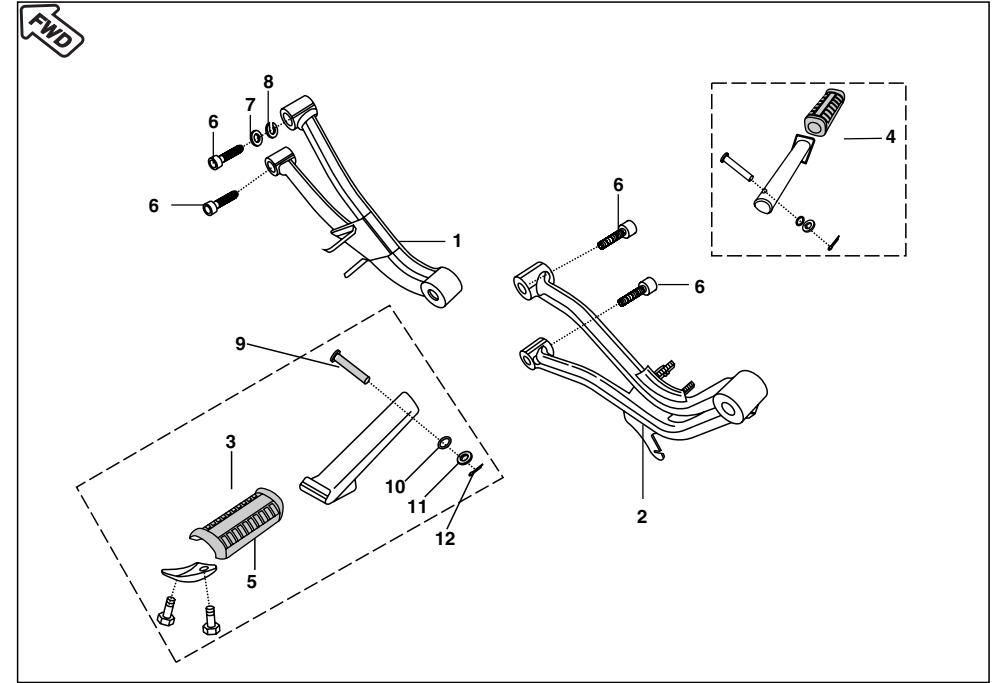
No.	Part No.	Description	25A	25B	Remarks
			ES	KS	
1	JB 1220 16	Hex. Bolt/ Flange	2	2	
2	JB 1220 11	Plain washer	4	4	
3	JB 1220 10	Plain washer	4	4	
4	JB 1220 13	Rear Shock Absorber	2	2	For Orange Colour
	JB 1220 14	Rear Shock Absorber	2	2	For Blue Colour
	JB 1220 05	Rear Shock Absorber	2	2	For Red Colour
	JB 1220 15	Rear Shock Absorber	2	2	For Silver Colour
5	JB 1220 07	Swing arm assly.	1	1	
6	JB 1220 09	Domed Cap Nut	2	2	
7	39 2726 12	Spring Washer	2	2	
8	JB 1220 03	Chain slider	1	1	
9	39 0553 02	Screw	2	2	
10	39 0454 11	Plain washer	2	2	



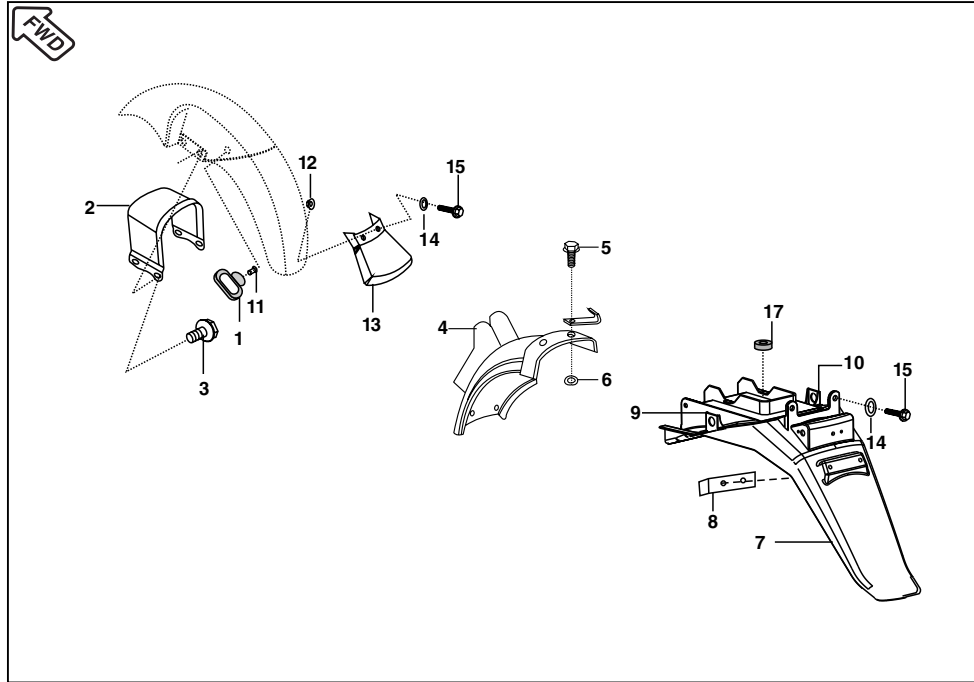
No.	Part No.	Description	25A	25B	Remarks
			ES	KS	
11	JB 1220 04	Shaft swing arm	1	1	
12	JB 1220 08	Special Nylock Nut	1	1	
13	DJ 1510 36	Adjuster chain LH	1	1	
14	DX 1510 14	Adjuster chain RH	1	1	
15	39 0292 15	Hexagon nut	4	4	
16	DJ 1510 47	Plate Chain Adjuster	2	2	
17	DP 1710 06	Silent bush	2	2	
18	JA 1814 20	Hugger	1	1	
19	DS 1612 24	Bolt step flange	3	3	



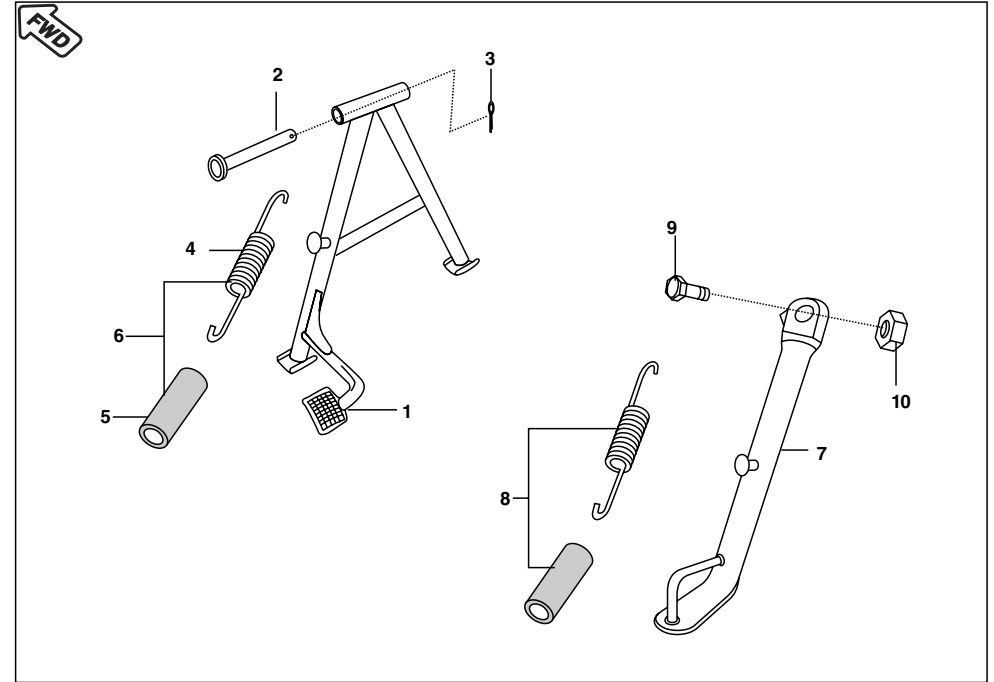
No.	Part No.	Description	26A	26B	Remarks
			ES	KS	
1	JA 1130 10	Stay main step fix	1	1	
2	DF 1614 13	Damper step front in PVC	2	2	
3	DH 1611 94	Stopper kick	1	1	
4	JA 1130 11	Bolt flange	4	4	



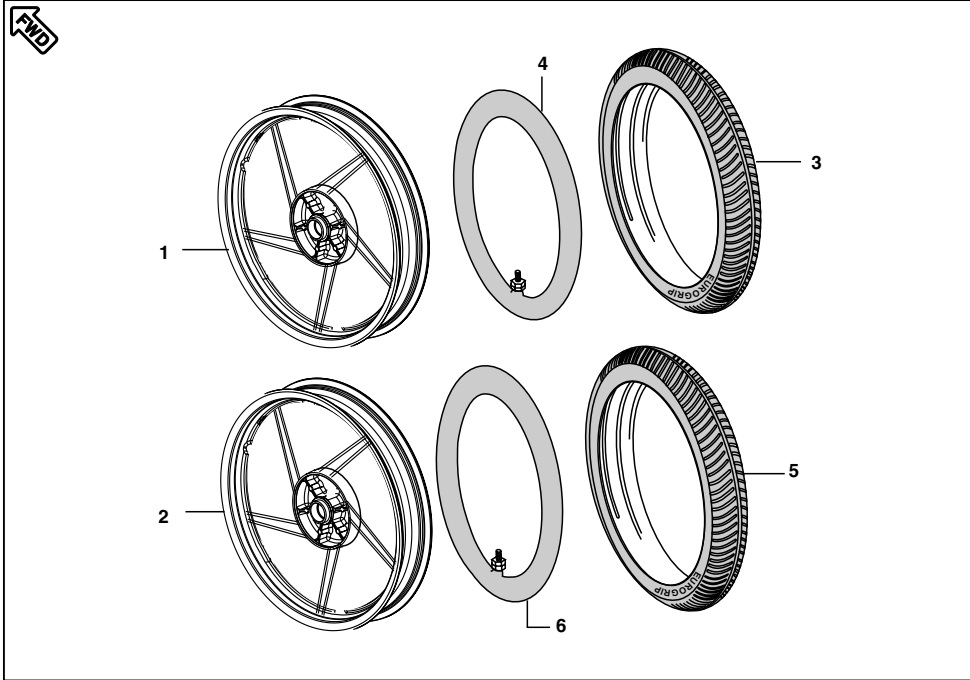
No.	Part No.	Description	27A	27B	Remarks
			ES	KS	
1	JB 1130 01	Holder LH step	1	1	
2	JB 1130 03	Holder RH step	1	1	
3	DX 1610 21	Pillion step assly. comp. LH	1	1	
4	DX 1610 24	Pillion step assly. comp. RH	1	1	
5	DX 1610 56	Rubber pillion step	2	2	
6	JB 1130 06	Special Bolt	-	4	
	39 2310 04	Bolt - Hex. Head with Flange -M8	4	-	
7	39 0254 11	Plain Washer	4	4	
8	39 0463 12	Spring Washer	4	4	
9	DD 1613 81	Pin Pillion Step	2	2	
10	30 1410 31	"O" Ring	2	2	
11	39 1040 11	Plain Washer	2	2	
12	39 0784 08	Split Pin	2	2	



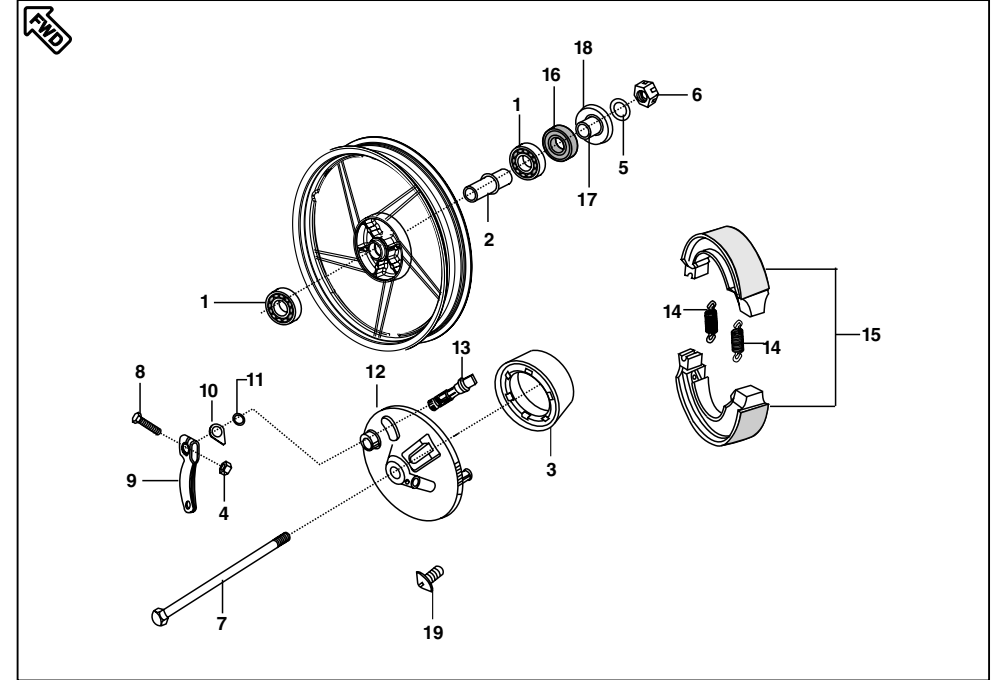
No.	Part No.	Description	28A	28B	Remarks
			ES	KS	
1	DS 1611 25	Cable Guide	1	1	
2	JB 1814 01	Brace fender	1	1	
	JB 1814 14	Brace fender	1	1	For fixed fr. no. plate
	JB 1814 16	Brace fender	1	1	For W/o fr. no. plate
3	JB 1814 12	Flange bolt	4	4	Fender front mtg.
4	JB 1814 04	Fender rear front	1	1	
5	39 1943 04	Flange bolt	3	3	
6	39 0211 11	Plain washer	3	3	
7	JB 1814 06	Fender rear	1	1	
8	JB 1814 07	Stay RR fender	2	2	
9	JB 1814 08	Clip nut LH	1	1	
10	JB 1814 09	Clip nut RH	1	1	
11	DJ 1610 69	Nail for Cable Guide	1	1	
12	39 0326 15	Nyloc Nut	3	3	
13	JB 1814 03	Flap Front fender	1	1	
14	39 0242 11	Plain Washer	3	3	
15	39 2420 01	Screw pan head	3	3	
16	DK 1810 41	Speed sensor holding clamps	2	2	NI
17	DK 1810 42	Rubber	2	2	



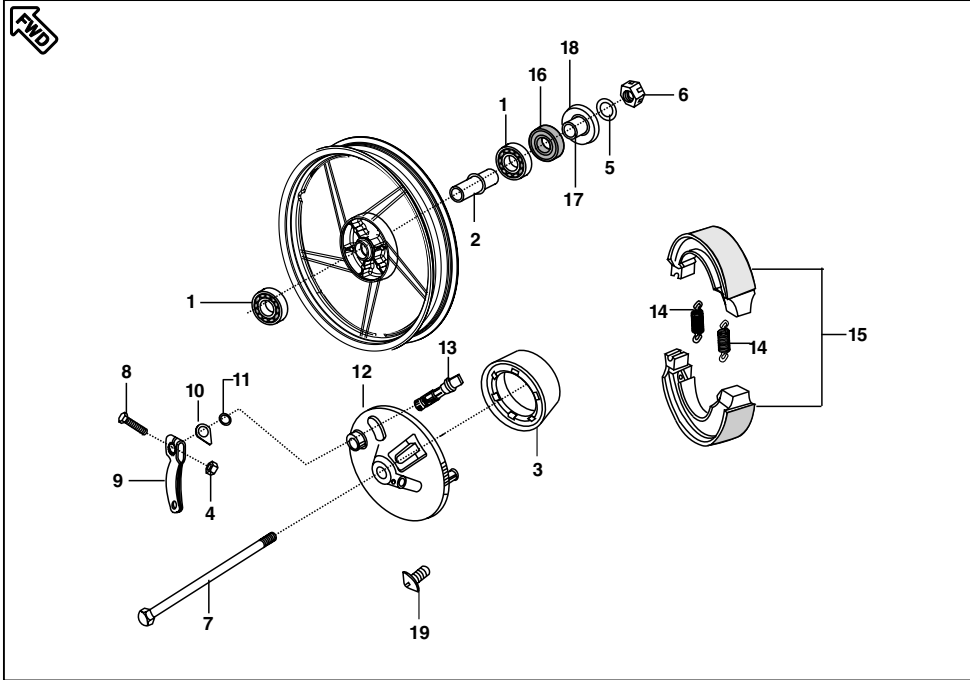
No.	Part No.	Description	29A	29B	Remarks
			ES	KS	
1	JA 1132 00	Center Stand	1	1	Stand rubber mtd. on silencer
	JB 1132 00	Center Stand	1	1	Stand rubber mtd. on frame From Nov. 2007
2	JA 1132 01	Shaft stand	1	1	
3	39 0797 08	Pin cotter	1	1	
4	DH 1611 21	Spring main stand	1	1	
5	DH 1611 45	Cover spring main stand	1	1	
6	DH 1612 39	Spring main stand with cover	1	1	
7	JA 1132 02	Stand side	1	1	
8	DH 1612 40	Spring side stand with cover	1	1	
9	DF 1611 02	Bolt	1	1	
10	39 0422 15	Nut	1	1	



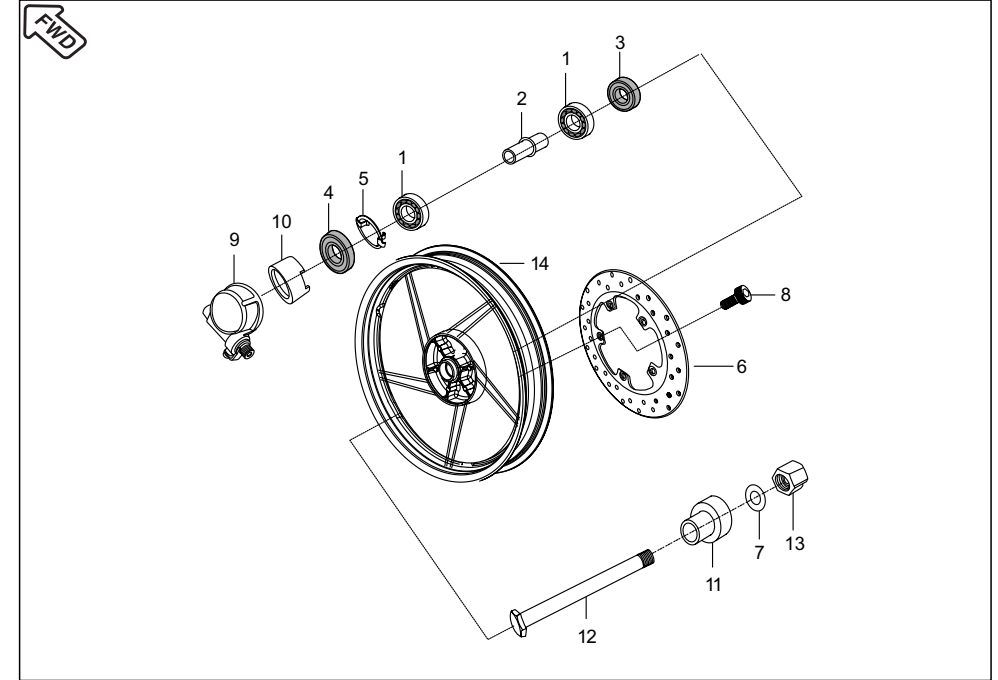
No.	Part No.	Description	30A	30B	Remarks
			ES	KS	
1	JB 1310 16	Wheel Rim Front	1	1	} Not Serviceable
2	JB 1312 22	Wheel Rim Rear	1	1	
3	DS 1510 48	Tyre Front	1	1	
4	DS 1510 49	Tube Front	1	1	
5	DS 1510 52	Tyre Rear	1	1	
6	DS 1510 53	Tube Rear	1	1	



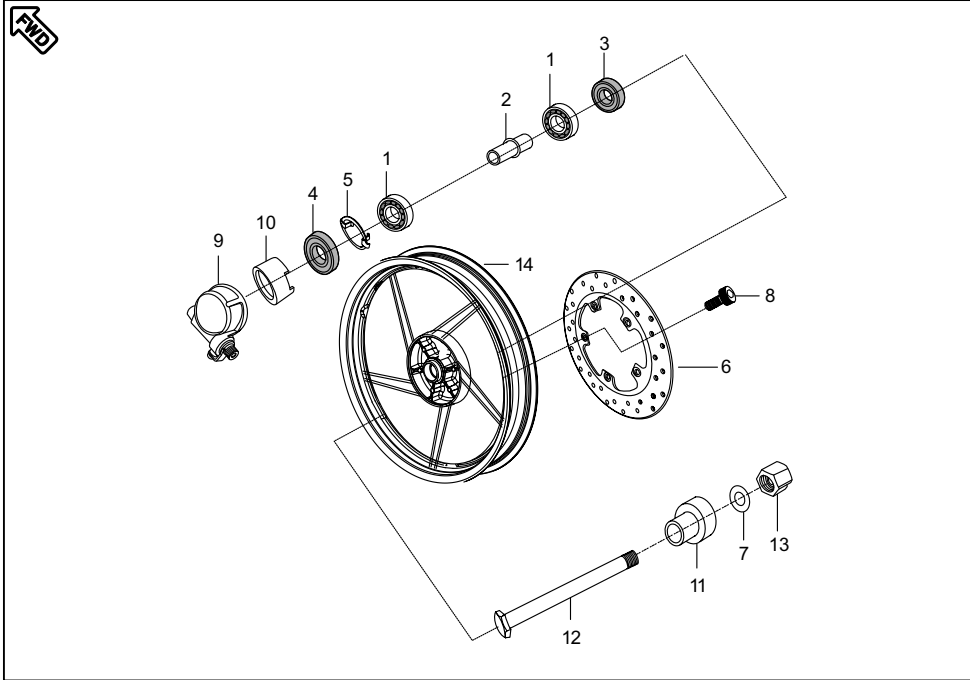
No.	Part No.	Description	31A	31B	Remarks
			ES	KS	
1	39 2688 20	Bearing Ball	2	2	
2	30 1510 32	Collar Bearing	1	1	
3	JB 1310 08	Ring speed sensor	1	1	
4	DS 1510 94	Nut	1	1	
5	JB 1310 18	Plain washer	1	1	
6	JB 1310 19	U Nut	1	1	
7	JB 1310 17	Axle	1	1	
8	DS 1510 95	Bolt	1	1	
9	DS 1510 92	Lever brake cam	1	1	
10	DS 1510 91	Indicator	1	1	
11	30 1510 38	Ring 'O'	1	1	
12	JB 1316 01	Panel front brake	1	1	
13	DS 1510 89	Cam brake	1	1	
14	30 1510 69	Spring	2	2	
15	30 1510 68	Shoe Brake	1	1	



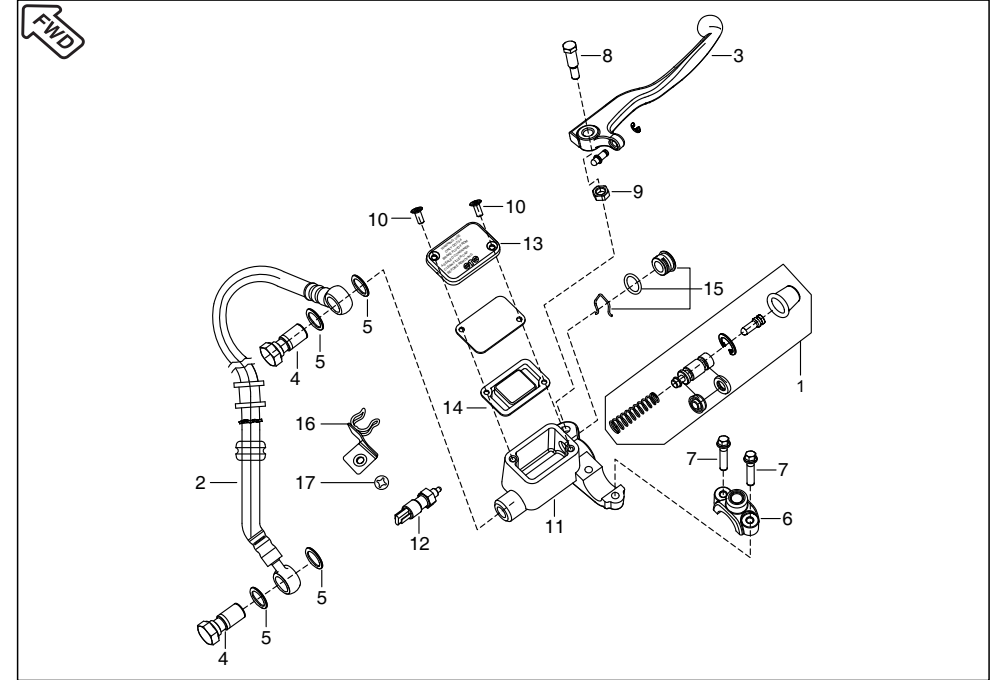
No.	Part No.	Description	31A	31B	Remarks
			ES	KS	
16	30 1510 33	Oil Seal	1	1	
17	JB 1310 22	Spacer Assly.	1	1	
18	DS 1510 56	Dust Seal	1	1	
19	JB 1310 20	Pan head screw	1	1	



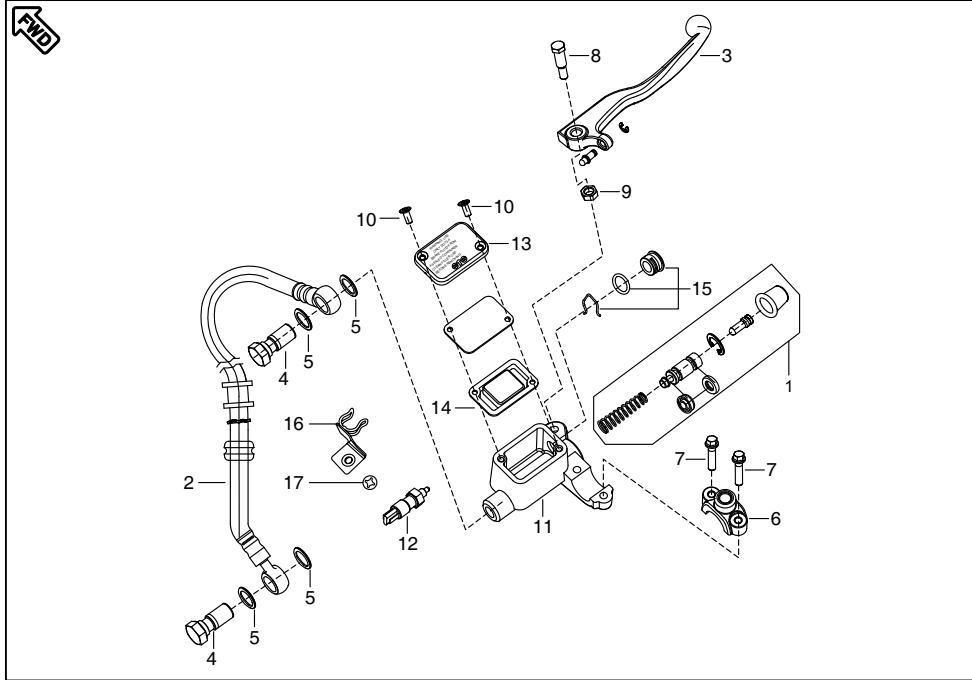
No.	Part No.	Description	32A	32B	Remarks
			ES	KS	
1	39 2688 20	Bearing Ball	2	--	
2	DE 1510 06	Spacer Assly.	1	--	
3	30 1510 33	Seal Oil	1	--	
4	DE 1510 08	Seal Oil	1	--	
5	DE 1510 12	Plate Drive	1	--	
6	JW 1318 06	Disc (200 mm Dia)	1	--	
7	JB 1310 18	Plain Washer	1	--	
8	LA C000 02	Hex. Soc. Head Bolt	5	--	
9	JN 1316 03	Case Meter Assly	1	--	
10	DJ 1510 94	Rotor Speedo (Disc)	1	--	
11	JN 1310 03	Spacer	1	--	



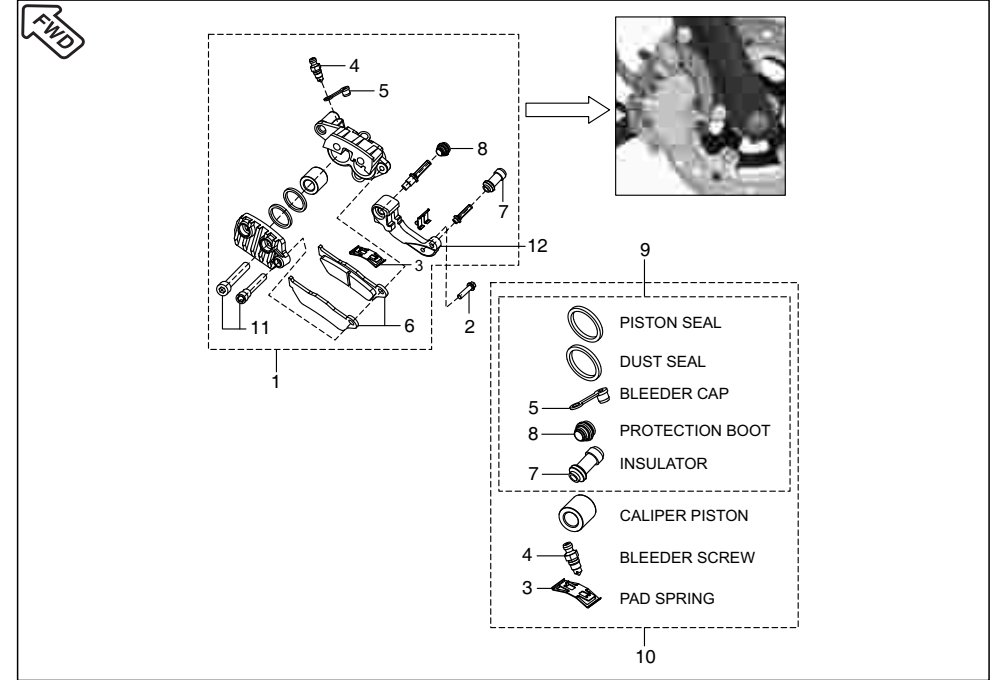
No.	Part No.	Description	31A	31B	Remarks
			ES	KS	
12	JB 1310 17	Axle	1	--	
13	JB 1310 19	'U' Nut	1	--	
14	JW 1310 04	Wheel Rim	1	--	



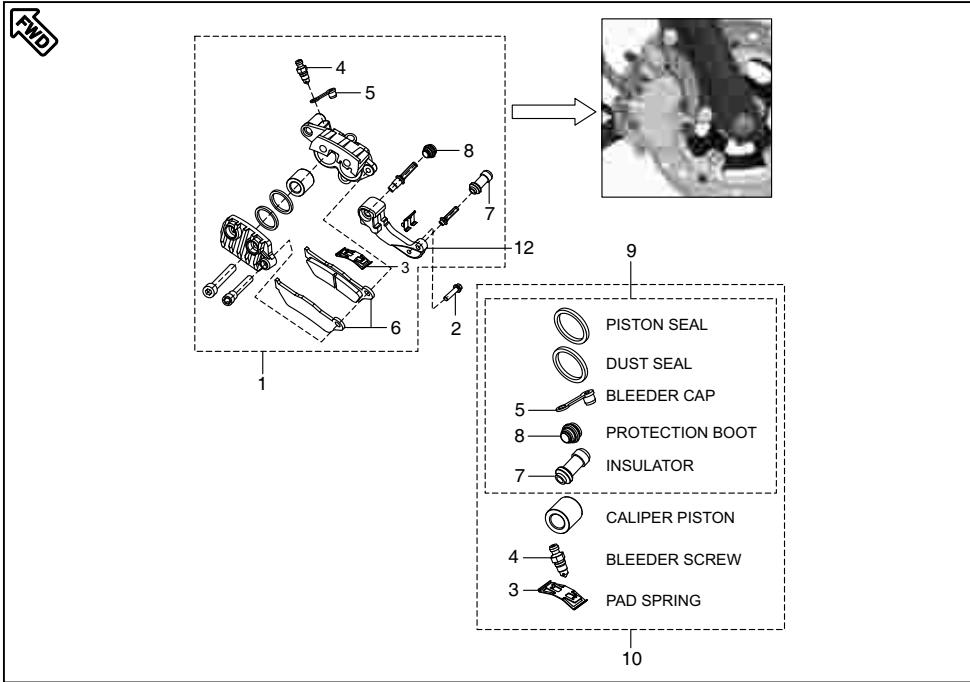
No.	Part No.	Description	32A	32B	Remarks
			ES	KS	
1	DJ 1910 23	Major Kit - Master Cylinder	1	--	
2	JW 1318 05	Hose Brake Front	1	--	
3	DJ 1910 06	Lever Grip RH	1	--	
4	DE 1910 11	Banjo Bolt	2	--	
5	DE 1910 10	Washer Copper	4	--	
6	DE 1910 34	Clamp Holder RH	1	--	
7	DJ 1910 28	Bolt	2	--	
8	DJ 1910 29	Bolt Front Brake Lever	1	--	
9	39 1943 04	Nut Flanged	1	--	
10	DE 1910 30	Screw	2	--	
11	DE 1510 15	Cylinder Master	1	--	
12	DE 2010 16	Front Brake Switch	1	--	



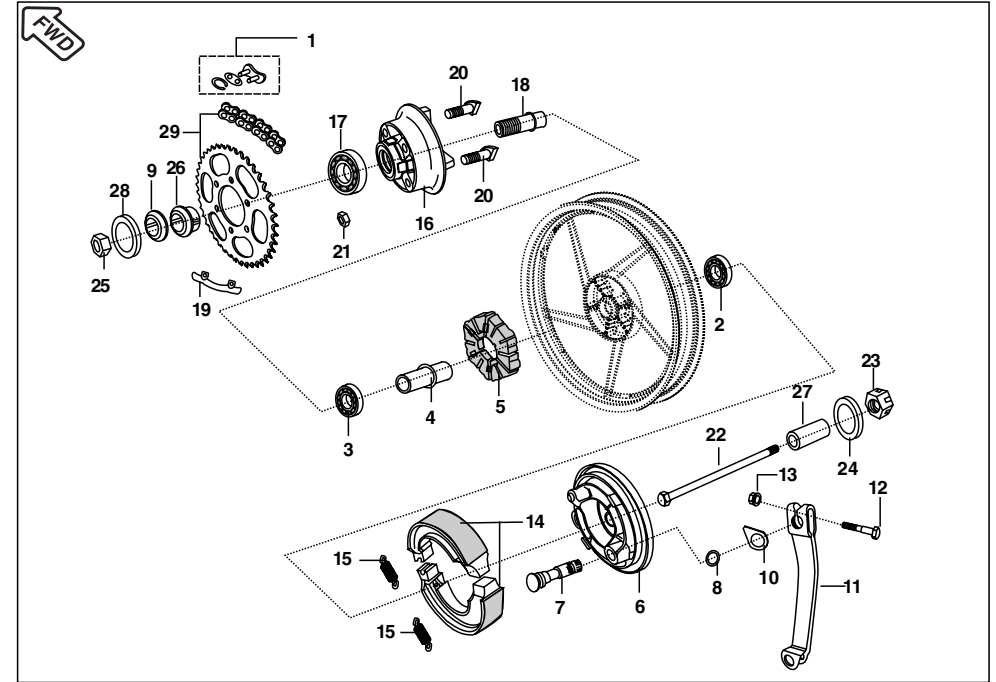
No.	Part No.	Description	31A	31B	Remarks
			ES	KS	
13	DE 1910 29	Reservoir Cover	1	--	
14	DE 1910 28	Diaphragm	1	--	
15	59 2100 19	'O' Ring Master Cylinder Kit	1	--	
16	JW 1318 04	Clamp Hose Pipe Upper	1	--	
17	DE 1510 41	Lock Washer	1	--	
18	DJ 2011 08	Cable Assly For Switch	1	--	N.I.



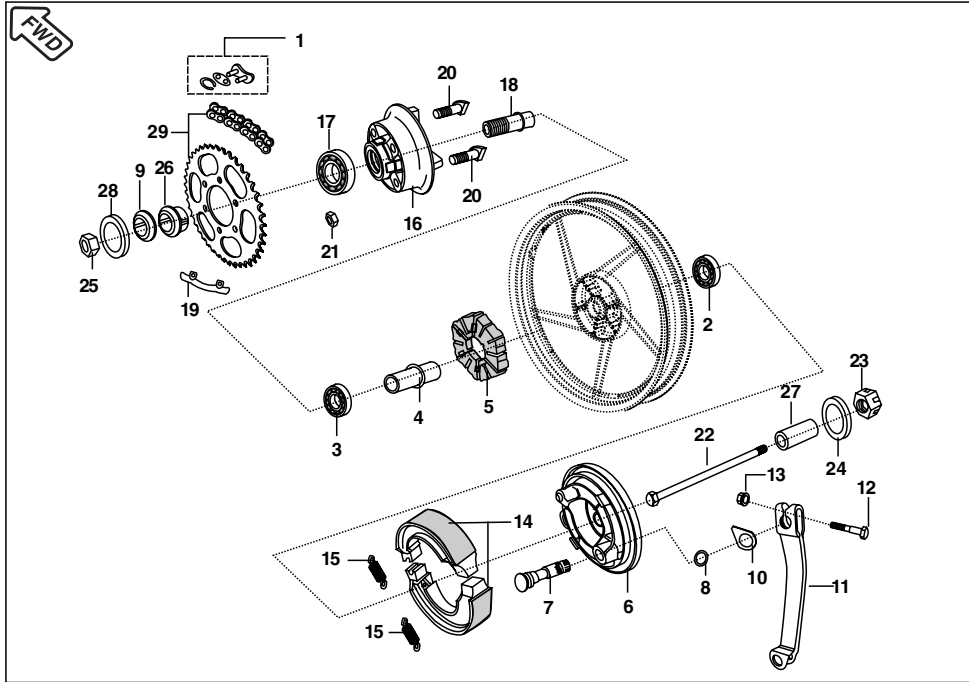
No.	Part No.	Description	32A	32B	Remarks
			ES	KS	
1	JW 1318 01	Caliper Assly. Front	1	--	
2	39 1943 04	Bolt Flanged Caliper Mounting	2	--	
3	DE 1510 48	Spring Pad	1	--	
4	DE 1510 46	Bleeder Screw	1	--	
5	DE 1510 47	Bleeder Cap	1	--	
6	JW 1318 07	Disc Pad Set	1	--	
7	DJ 1510 73	Protection Boot (8 mm Dia)	1	--	
8	DE 1910 27	Protection Boot (9 mm Dia)	1	--	
9	JW 1318 09	Minor Kit - Caliper	1	--	
10	DJ 1510 75	Major Kit - Caliper	1	--	
11	DJ 1612 80	Bolts	2	--	



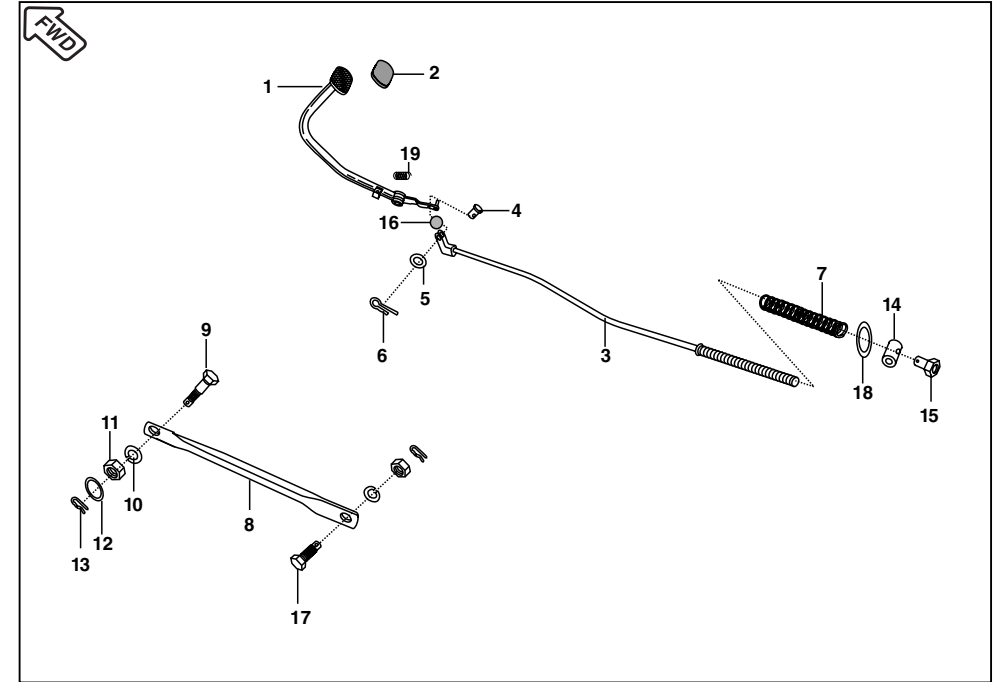
No.	Part No.	Description	31A	31B	Remarks
			ES	KS	
11	JW 1318 10	Anchor Pin Ki	1	--	N.I.
12	JW 1318 02	Holder Bracket	1	--	



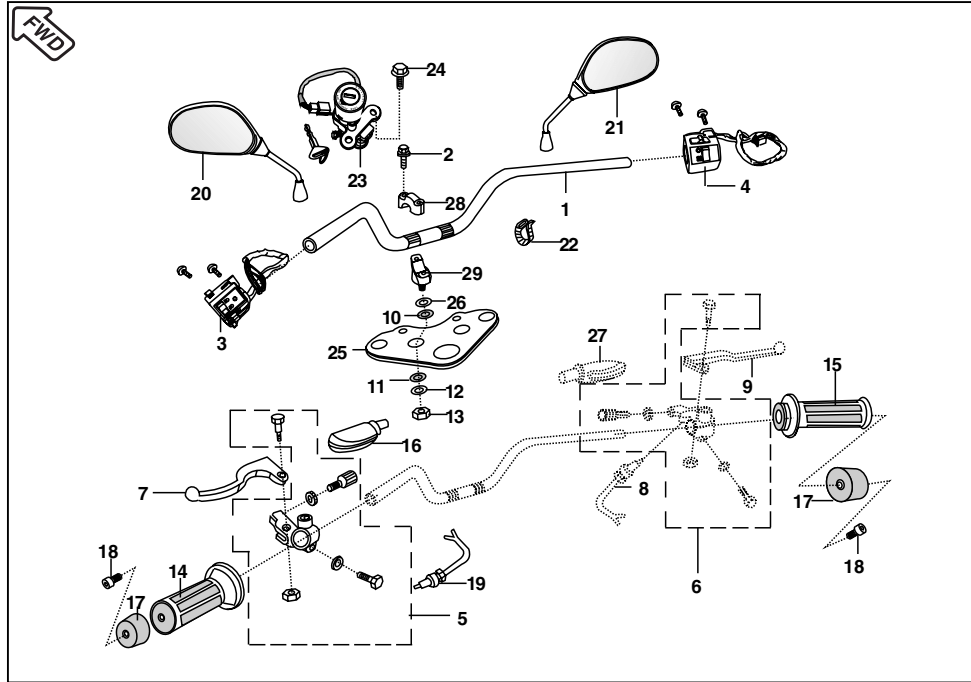
No.	Part No.	Description	32A	32B	Remarks
			ES	KS	
1	JB 1410 01	Drive Chain Lock	1	1	
2	39 2682 20	Bearing ball	1	1	
3	39 1364 20	Bearing ball	1	1	
4	31 1510 18	Collar bearing	1	1	
5	31 1510 21	Damper	1	1	
6	JA 1312 05	Panel rear brake	1	1	
7	JB 1312 23	Cam brake	1	1	
8	30 1510 38	Ring 'O'	1	1	
9	DS 1510 57	Dust cover	1	1	
10	DS 1510 90	Indicator	1	1	
11	JB 1316 05	Lever brake	1	1	
12	JB 1312 24	Flange Bolt	1	1	
13	DS 1510 94	Nut	1	1	
14	31 1510 60	Shoe brake	2	2	
15	30 1510 69	Spring	2	2	



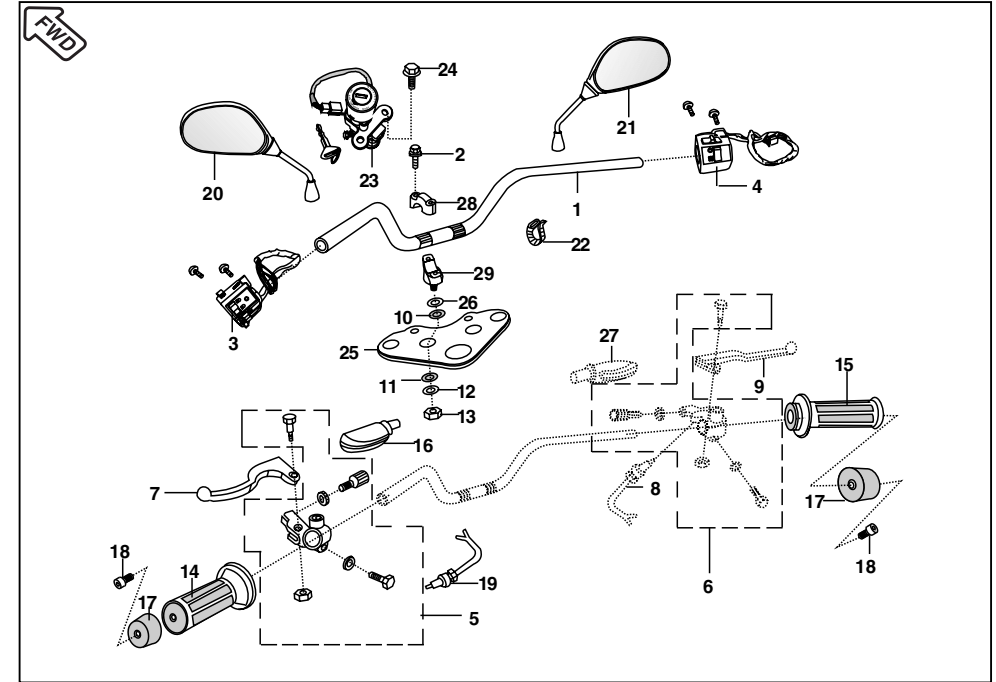
No.	Part No.	Description	32A	32B	Remarks
			ES	KS	
16	DX 1510 08	Coupling	1	1	
17	39 2240 20	Bearing ball	1	1	
18	DX 1510 09	Sleeve	1	1	
19	31 1510 29	Lock Washer	4	4	
20	DX 1510 10	'D' Bolt	4	4	
21	39 0794 15	Hex. lock nut	4	4	
22	DX 1510 16	Axle	1	1	
23	JB 1310 19	'U' nut	1	1	
24	DX 1510 15	Plain washer	1	1	
25	JB 1312 25	Nut	1	1	
26	JA 1312 02	Collar	1	1	
27	DX 1510 13	Collar	1	1	
28	DX 1510 18	Plain washer	1	1	
29	36 JA00 05	Chain sprocket kit	1	1	Refer page no. 61



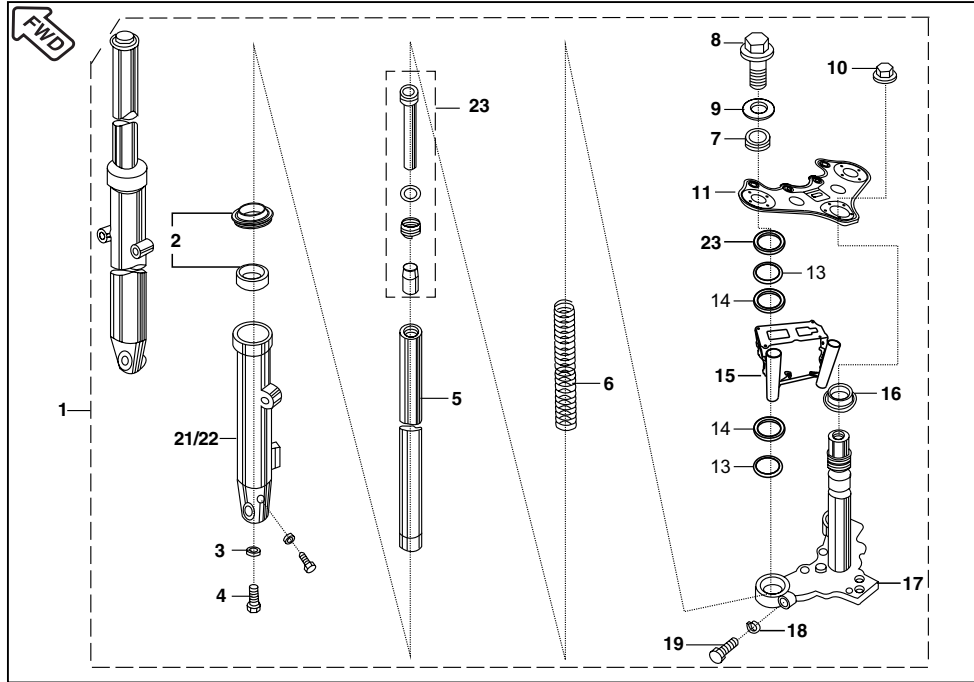
No.	Part No.	Description	33A	33B	Remarks
			ES	KS	
1	JA 1610 00	Brake Pedal	1	1	
2	JA 1610 03	Pad Brake Lever (PVC)	1	1	
3	JB 1610 05	Rod brake	1	1	
4	30 1910 38	Pin	1	1	
5	39 0198 11	Plain washer	2	2	
6	39 0808 08	Split pin	1	1	
7	30 1910 35	Spring	1	1	
8	JA 1210 04	Rod torque	1	1	
9	JA 1210 05	Step bolt	1	1	
10	39 1540 11	Plain washer	1	1	
11	39 0694 15	Hex. lock nut	2	2	
12	39 0789 12	Washer spring	2	2	
13	39 0807 08	Pin snap	2	2	
14	JB 1610 02	Pin	1	1	
15	JB 1610 03	Brake Adjuster Nut	1	1	
16	DS 1910 35	Packing brake rod	1	1	
17	30 1510 96	Hex bolt	1	1	
18	JK 1610 00	Washer	1	1	
19	JB 1610 04	Brake pedal spring	1	1	



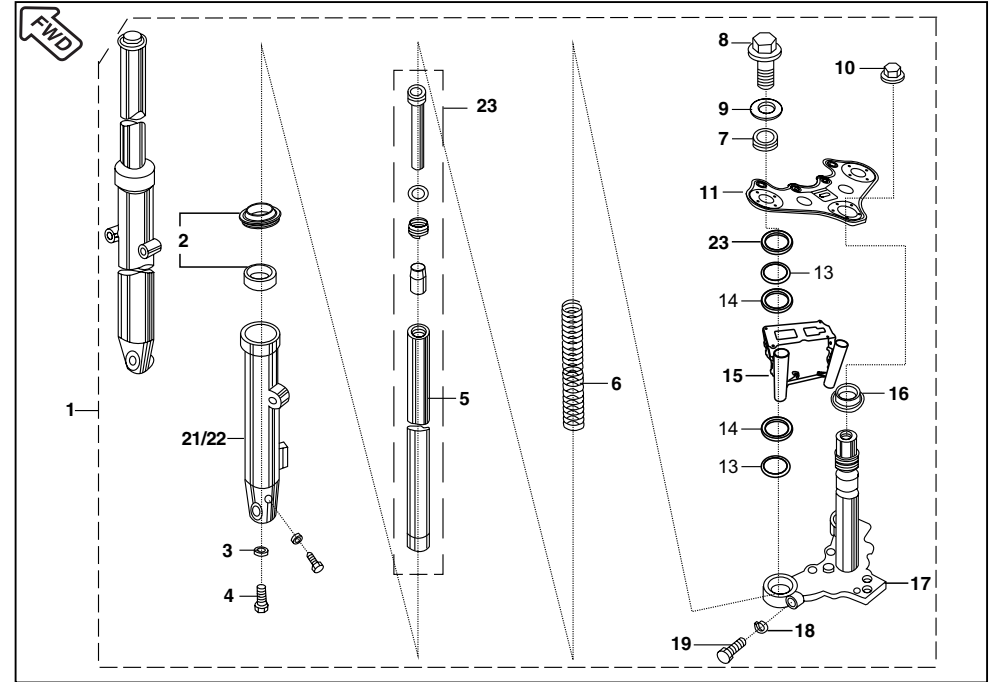
No.	Part No.	Description	34A	34B	Remarks
			ES	KS	
1	DS 1810 44	Handle	1	1	
2	39 1714 04	Flanged bolt	4	4	
3	JB 4014 00	Control switch LH	1	1	
4	JB 4014 01	Control switch RH	1	--	
	JB 4014 04	Control switch RH	--	1	
5	DJ 1910 53	Holder Assly. LH	1	-	
	DX 1910 08	Lever Assembly LH	-	1	
6	DX 1910 09	Holder Assly. RH	1	1	
7	DJ 1910 55	Lever grip Left	1	--	
	DL 1910 13	Lever grip Left	--	1	
9	DD 1911 42	Lever Grip - Right	1	1	
8	29 2011 17	Front Brake Switch	1	1	
10	DS 1810 08	Damper handle upper	2	2	
11	DS 1810 09	Damper handle lower	2	2	
12	DS 1810 10	Washer handle lower	2	2	
13	39 0422 15	Nylock Nut	2	2	
14	DS 1910 15	Grip LH	1	1	
15	DS 1910 16	Grip RH	1	1	



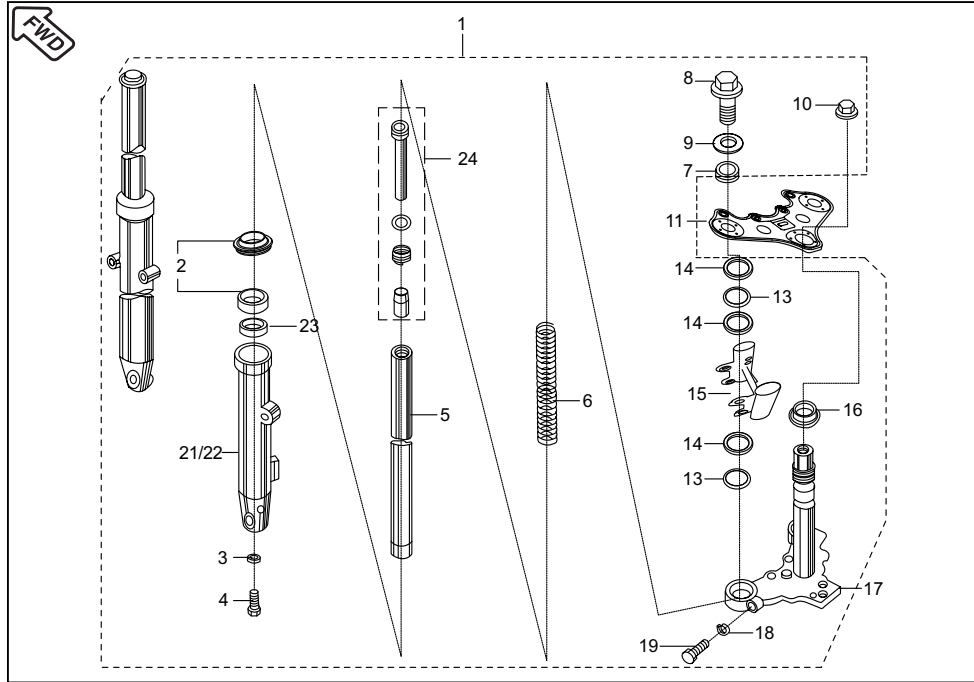
No.	Part No.	Description	34A	34B	Remarks
			ES	KS	
16	DS 1910 52	Boot for lever LH	1	1	
17	DH 1810 22	Handle bar weight	2	2	
18	39 2427 04	Hex. soc. head cap screw	2	2	
19	JB 4014 05	Clutch Switch	1	1	
20	DJ 2210 03	Mirror assly. LH	1	1	
21	DJ 2210 04	Mirror assly. RH	1	1	
22	30 1910 48	Band	2	2	
23	JB 4014 02	Switch assly. ignition	1	1	
24	39 1943 04	Flange bolt	2	2	
25	JB 1510 03	Holder Fork Upper	1	1	
26	DS 1810 07	Washer handle Upper	2	2	
27	DS 1910 18	Boot For Lever RH	1	1	
28	DS 1810 06	Holder Up	2	2	
29	DS 1810 19	Holder lower	2	2	



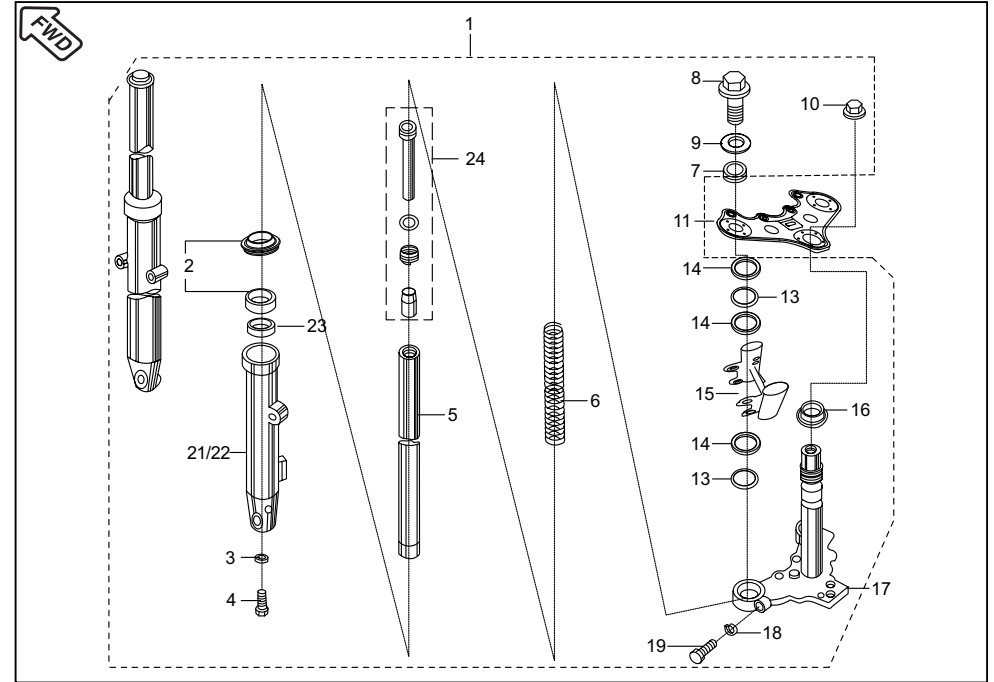
No.	Part No.	Description	35A	35B	Remarks
			ES	KS	
1	JB 1510 00	Fork front	1	1	Common for Endurance & Gabriel
2	36 DZ00 20	Front fork seal kit	1	1	-----"do"-----
3	30 1810 26	Gasket	2	2	-----"do"-----
4	30 1810 25	Bolt	2	2	-----"do"-----
5	JA 1510 13	Fork Pipe Spinning	2	2	Endurance
	JB 1510 25	Fork Pipe Spinning	2	2	Gabriel
6	DJ 1811 04	Spring front fork	2	2	-----"do"-----
7	DH 1810 09	Grommet Top	2	2	-----"do"-----
8	DS 1810 12	Bolt fork	2	2	-----"do"-----
9	DS 1810 18	Washer	2	2	-----"do"-----
10	DS 1810 15	Cap Nut Fork	1	1	-----"do"-----
11	JB 1510 03	Holder fork upper	1	1	-----"do"-----
12	DG 1810 08	Socket Bolt	2	2	N.I. -----"do"-----
13	DJ 1810 85	Cushion Rubber	2	2	-----"do"-----
14	DJ 1810 52	Cover Trail B	4	4	-----"do"-----
15	JB 1510 01	Lamp Shade asly.	1	1	N.I. -----"do"-----



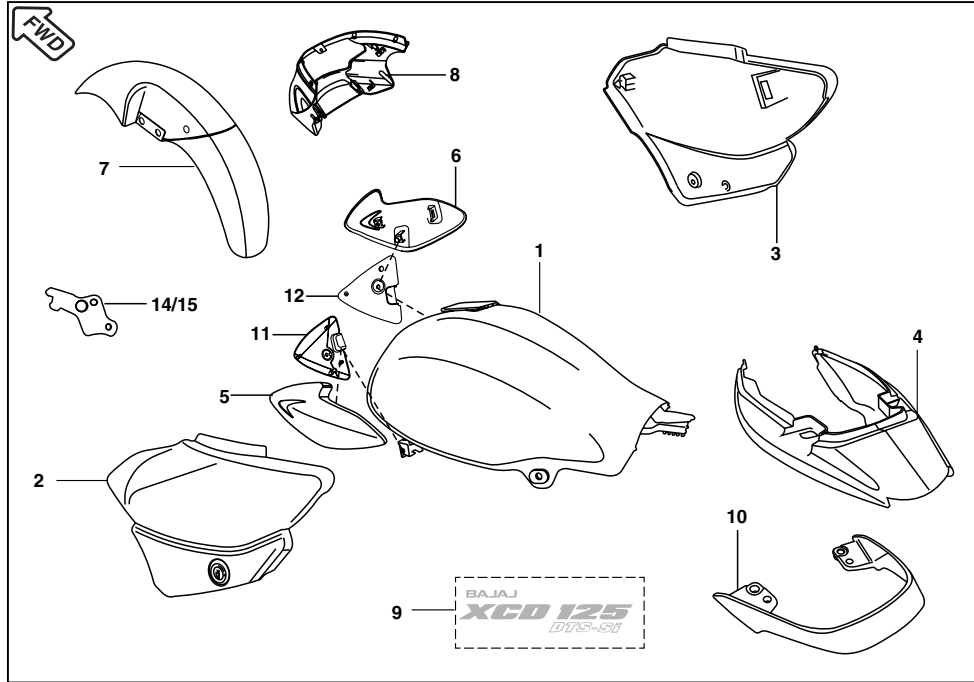
No.	Part No.	Description	35A	35B	Remarks
			ES	KS	
16	DH 1810 23	Bearing cone	1	1	-----"do"-----
17	JA 1510 03	Holder fork under	1	1	-----"do"-----
18	39 0789 12	Spring washer	2	2	-----"do"-----
19	39 1714 04	Bolt	2	2	-----"do"-----
20	DS 1810 17	Nylon spacer	2	2	-----"do"-----
21	JB 1510 05	Outer Tube LH	1	1	For Endurance
	JB 1510 23	Outer Tube LH	1	1	For Gabriel
22	JB 1510 06	Outer Tube RH	1	1	For Endurance
	JB 1510 24	Outer Tube RH	1	1	For Gabriel
23	JB 1510 32	Cylinder Complete - Fork	1	1	



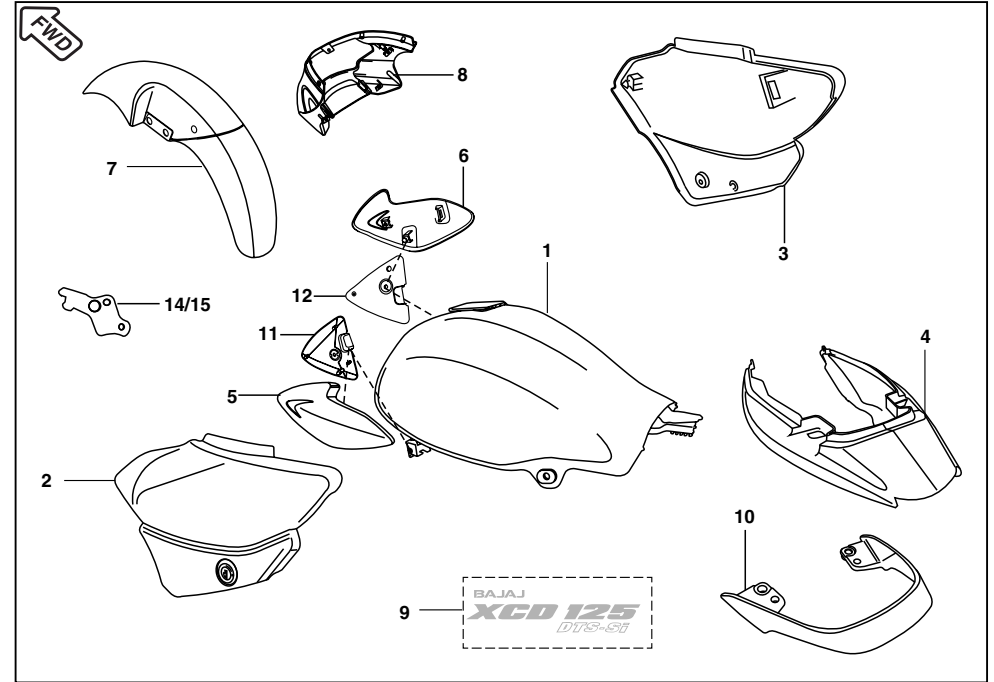
No.	Part No.	Description	35A	35B	Remarks
			ES	KS	
1	JW 1510 02	Fork front (Drum)	--	1	
	JW 1510 03	Front Fork (Disc)	1	--	
2	36 DZ00 20	Front fork seal kit	1	1	
3	30 1810 26	Gasket	2	2	
4	30 1810 25	Bolt	2	2	
5	JA 1510 13	Fork Pipe Inner	2	2	
6	DJ 1811 04	Spring front fork	2	2	
7	DH 1810 09	Grommet Top	2	2	
8	DS 1810 12	Bolt fork	2	2	
9	DS 1810 18	Washer	2	2	
10	DS 1810 15	Cap Nut Fork	1	1	
11	JW 1510 01	Holder fork upper	1	1	
12	DG 1810 08	Socket Bolt	2	2	
13	DJ 1810 85	Cushion Rubber	2	2	
14	DJ 1810 52	Cover Trail B	4	4	
15	JW 1510 08	Lamp Shade assly	1	1	



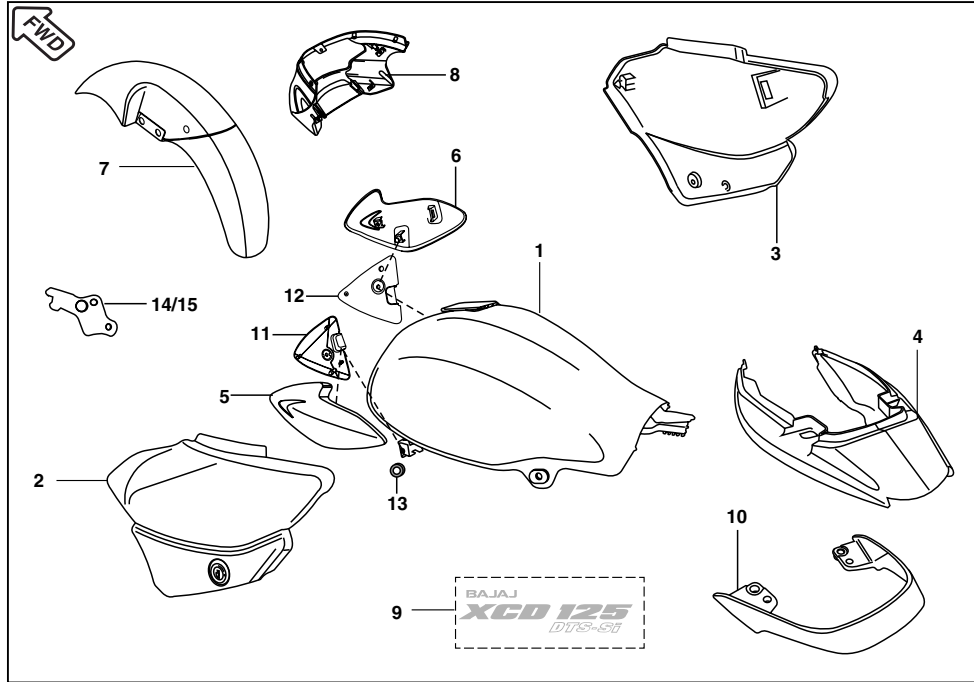
No.	Part No.	Description	35A	35B	Remarks
			ES	KS	
16	DH 1810 23	Bearing cone	1	1	
17	JA 1510 03	Holder fork under	1	1	
18	39 0789 12	Spring washer	2	2	
19	39 1714 04	Bolt	2	2	
20	DS 1810 17	Nylon spacer	2	2	
21	JW 1510 05	Outer Tube LH (Drum)	--	1	
22	JW 1510 21	Outer Tube LH (Disc)	1	--	
	JW 1510 07	Outer Tube RH (Drum)	--	1	
	JW 1510 22	Outer Tube RH (Disc)	1	--	
23	JK 1210 07	Anti Friction Bush	2	2	
24	JW 1510 23	Cylinder Complete Fork	2	2	



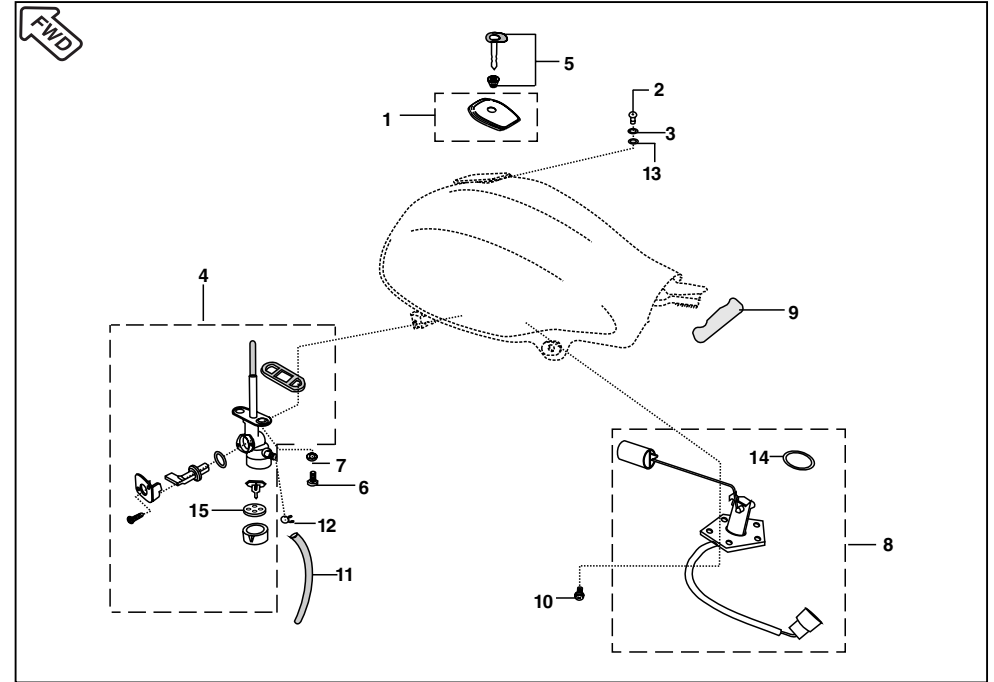
No.	Part No.	Description	36A	36B	Remarks
			ES	KS	
1	JB 7101 22	Petrol tank with decal	1	1	Jet black
	JB 7101 2V	Petrol tank with decal	1	1	Cocktail wine red
	JB 7101 3A	Petrol tank with decal	1	1	Long beach blue
	JB 7101 3Q	Petrol tank with decal	1	1	Silver
2	JB 7301 22	Side cover LH with decal	1	1	Jet black
	JB 7301 2V	Side cover LH with decal	1	1	Cocktail wine red
	JB 7301 3A	Side cover LH with decal	1	1	Long beach blue
	JB 7301 3Q	Side cover LH with decal	1	1	Silver
3	JB 7302 22	Side cover RH with decal	1	1	Jet black
	JB 7302 2V	Side cover RH with decal	1	1	Cocktail wine red
	JB 7302 3A	Side cover RH with decal	1	1	Long beach blue
	JB 7302 3Q	Side cover RH with decal	1	1	Silver
4	JB 7303 22	Seat cover with decal	1	1	Jet black
	JB 7303 2V	Seat cover with decal	1	1	Cocktail wine red
	JB 7303 3A	Seat cover with decal	1	1	Long beach blue
	JB 7303 3Q	Seat cover with decal	1	1	Silver
5	JB 7304 22	Spoiler cover LH with decal	1	1	Jet black
	JB 7304 2V	Spoiler cover LH with decal	1	1	Cocktail wine red
	JB 7304 3A	Spoiler cover LH with decal	1	1	Long beach blue
	JB 7304 3Q	Spoiler cover LH with decal	1	1	Silver



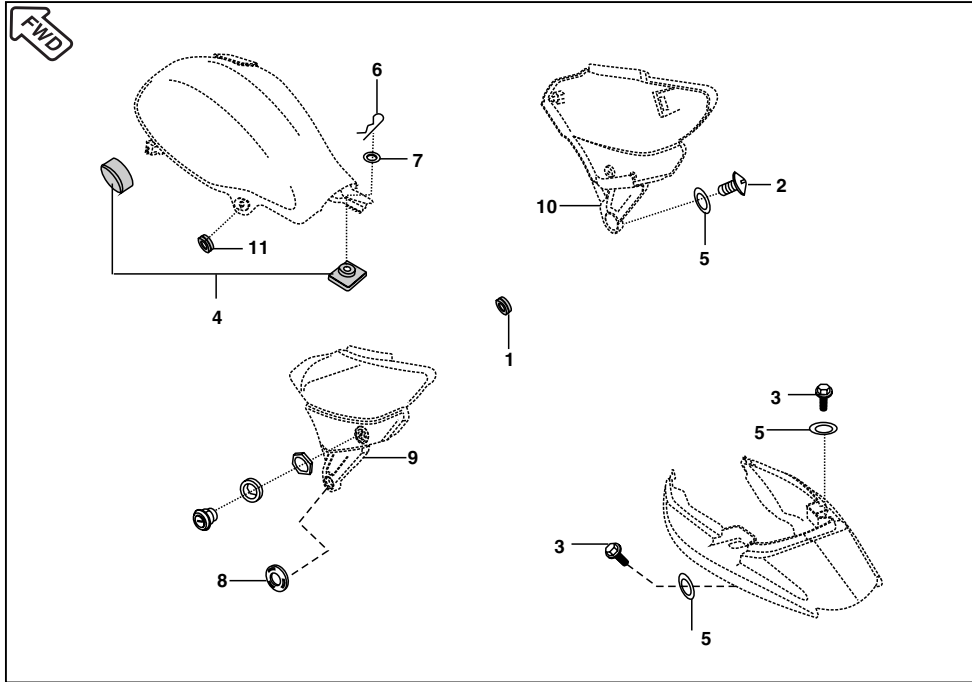
No.	Part No.	Description	36A	36B	Remarks
			ES	KS	
6	JB 7305 22	Spoiler cover RH with decal	1	1	Jet black
	JB 7305 2V	Spoiler cover RH with decal	1	1	Cocktail wine red
	JB 7305 3A	Spoiler cover RH with decal	1	1	Long beach blue
	JB 7305 3Q	Spoiler cover RH with decal	1	1	Silver
7	JB 7306 22	Front fender	1	1	Jet black
	JB 7308 22	Front fender (fixed fr. no. plate)	1	1	Jet black
	JB 7311 22	Front fender (W/o fr. no. plate)	1	1	Jet black
	JB 7306 2V	Front fender	1	1	Cocktail wine red
	JB 7308 2V	Front fender (fixed fr. no. plate)	1	1	Cocktail wine red
	JB 7311 2V	Front fender (W/o front no. plate)	1	1	Cocktail wine red
	JB 7306 3A	Front fender	1	1	Long beach blue
	JB 7308 3A	Front fender (fixed fr. no. plate)	1	1	Long beach blue
	JB 7311 3A	Front fender (W/o fr. no. plate)	1	1	Long beach blue
	JB 7306 3Q	Front fender	1	1	Silver
8	JB 7308 3Q	Front fender (fixed fr. no. plate)	1	1	Silver
	JB 7311 3Q	Front fender (W/o front no. plate)	1	1	Silver
	JB 1814 15	Front Fender	1	1	
	JB 7401 22	Fairing with decal	1	1	Jet black
	JB 7401 2V	Fairing with decal	1	1	Cocktail wine red
	JB 7401 3A	Fairing with decal	1	1	Long beach blue
JB 7401 3Q	Fairing with decal	1	1	Silver	



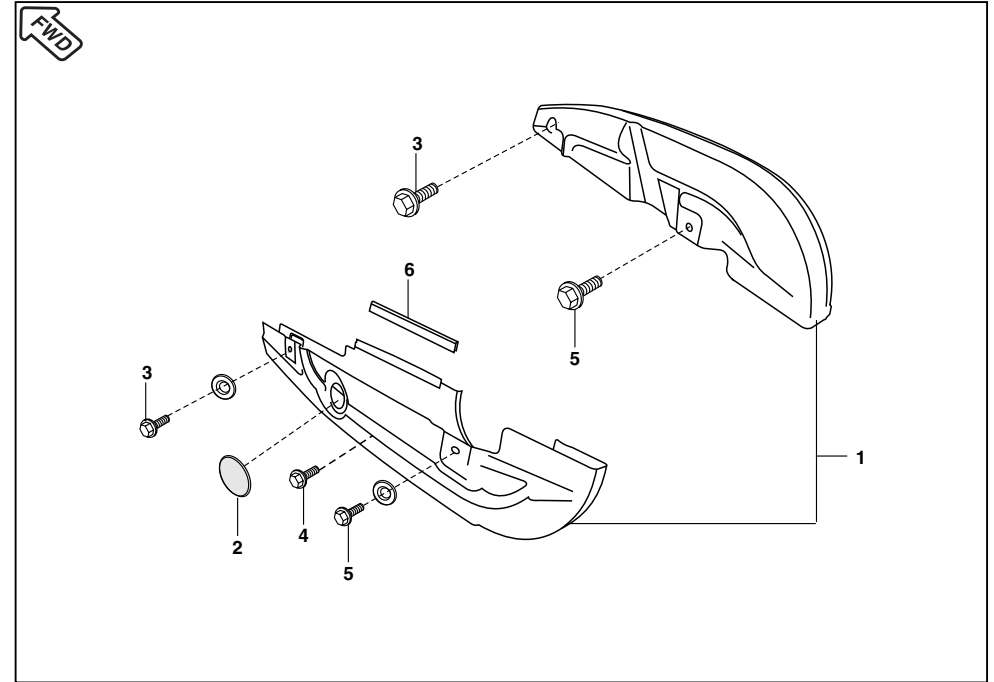
No.	Part No.	Description	36A	36B	Remarks
			ES	KS	
9	36 JA00 07	Decal set	1	1	Jet black
	36 JB00 01	Decal set	1	1	Cocktail wine red
	36 JB00 02	Decal set	1	1	Long beach blue
	36 JA00 08	Decal set	1	1	Silver
10	52 JB00 32	Grip frame	1	1	Jet black
	52 JB00 24	Grip frame	1	1	Cocktail wine red
	52 JB00 25	Grip frame	1	1	Long beach blue
	52 JB00 33	Grip frame	1	1	Silver
11	JB 1710 10	Spoiler mtg. bkt. LH	1	1	
12	JB 1710 11	Spoiler mtg. bkt. RH	1	1	
13	DS 1610 82	Rubber Grommet for spoiler	2	2	
14	JB 1710 18	Cover Spoiler LH	1	1	
15	JB 1710 19	Cover Spoiler RH	1	1	



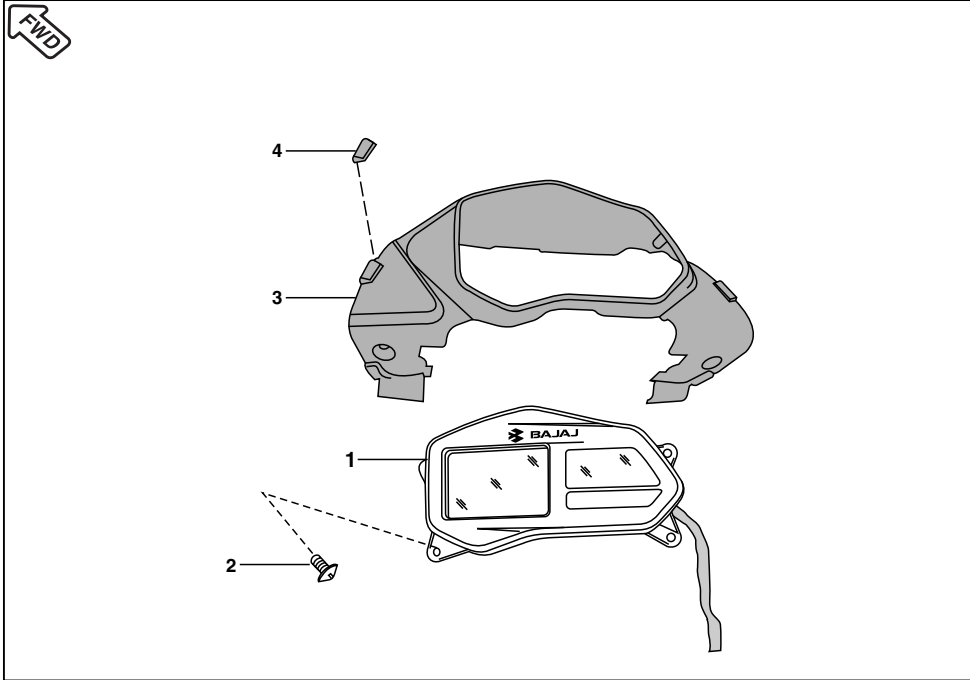
No.	Part No.	Description	37A	37B	Remarks
			ES	KS	
1	DS 1410 09	Cap Assly. Tank	1	1	
2	39 0761 01	Screw Pan Cross	2	2	
3	39 2179 24	Washer	2	2	
4	JB 1718 00	Fuel Tap Assly	1	1	
5	JB 2326 00	3 In 1 Lock set With Key	1	1	
6	DD 1410 22	Bolt flanged	2	2	
7	39 0740 11	Washer (Non-Metallic)	2	2	
8	JA 4026 00	Gauge Fuel	1	1	
9	JB 1710 20	Seat Tape	1	1	
10	30 1410 32	Bolt	4	4	
11	JA 1718 01	Tube fuel	1	1	
12	30 1410 15	Pipe clip	2	2	
13	30 1410 31	"O" Ring	2	2	
14	39 2758 21	"O" ring	1	1	
15	DZ 1410 75	4 hole washer	1	1	



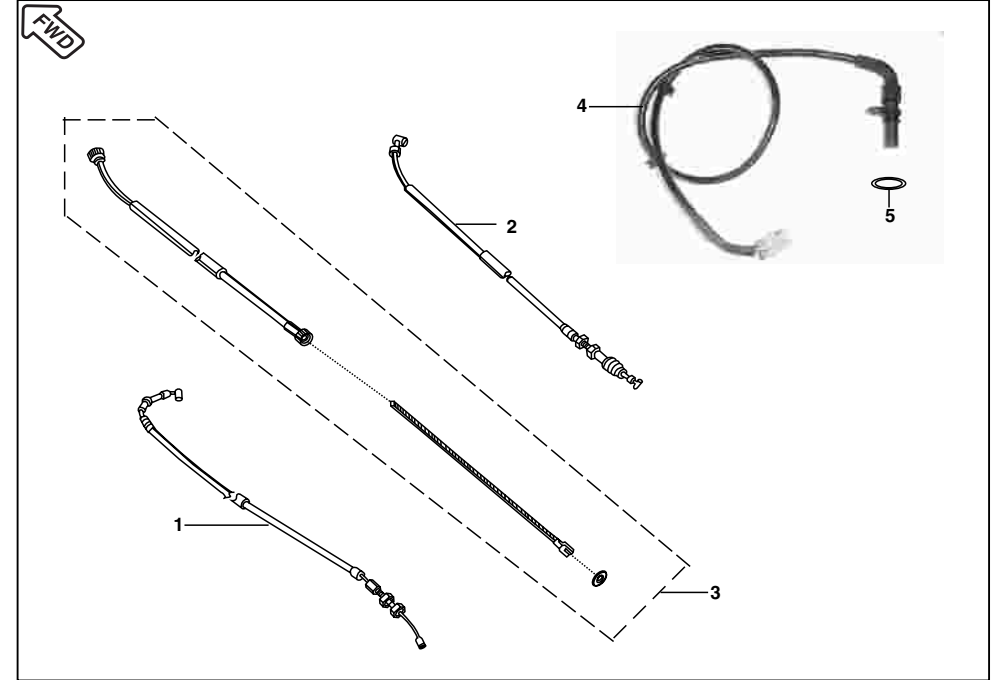
No.	Part No.	Description	38A	38B	Remarks
			ES	KS	
1	36 DS14 01	Grommet Kit for Side Cover	1	1	Ref. page no. 61
2	DG 1611 21	Screw	5	5	
3	39 1943 04	Flanged Bolt	2	2	
4	36 DS14 02	Damper Kit Petrol Tank	1	1	Ref. page no. 61
5	39 1789 24	Washer Nylon	3	3	
6	39 0983 08	Pin Snap	1	1	
7	39 1054 11	Plain Washer	1	1	
8	JB 1812 15	Rubber ring	1	1	
9	JB 1812 06	Cover LH side lower	1	1	
10	JB 1812 07	Cover RH side lower	1	1	
11	JC 1410 17	Rubber Grommet for Tank	2	2	



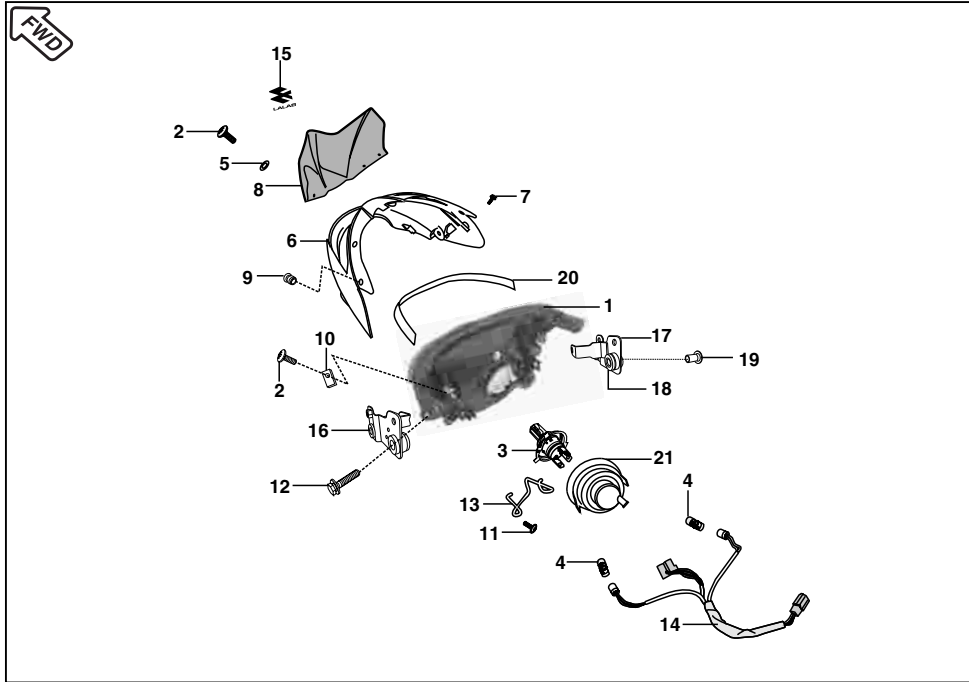
No.	Part No.	Description	39A	39B	Remarks
			ES	KS	
1	36 JA00 06	Case Chain Kit	1	1	Ref. page no. 61
2	JB 1812 18	Rubber Cap	1	1	
3	JB 1812 20	Flange bolt	2	2	
4	JB 1812 21	Flange bolt	1	1	
5	DH 1612 83	Bolt flange	2	2	
6	DF 1614 15	Trim for Chain Case	1	1	



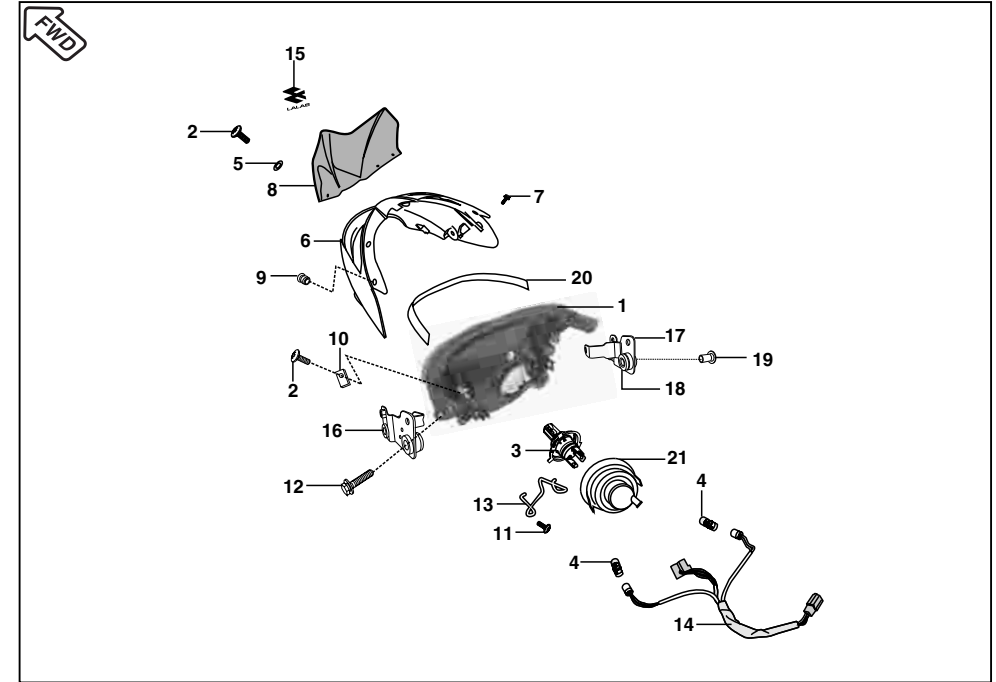
No.	Part No.	Description	40A	40B	Remarks
			ES	KS	
1	JB 4024 00	Meter assly.	1	1	
2	39 1778 02	Self tapping screw	4	4	
3	JB 1812 12	Speedo cap	1	1	
4	JB 1812 23	Beading Speedo Flap	4	4	



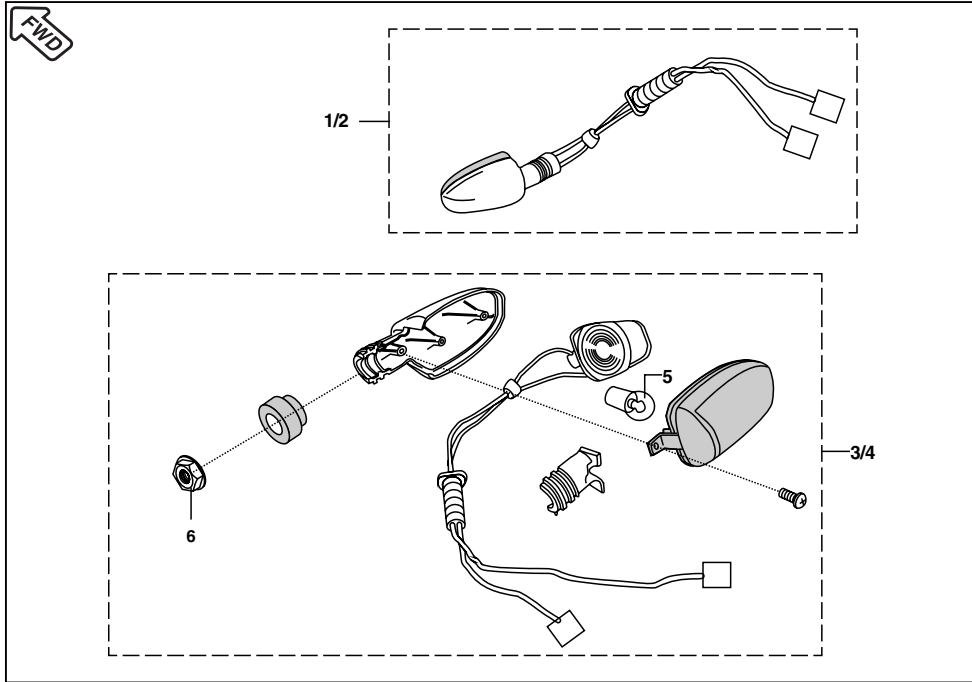
No.	Part No.	Description	41A	41B	Remarks
			ES	KS	
1	JB 1612 03	Cable accelerator	1	1	For Ucal
	JB 1612 00	Cable accelerator	1	1	For Kehin
2	JA 1612 01	Cable clutch	1	1	
3	JA 1612 03	Brake cable	1	1	
4	JB 1310 07	Speed sensor	1	1	
	JB 4024 01	Speed sensor	1	1	
5	JB 1310 23	Speed sensor "O" ring	1	1	



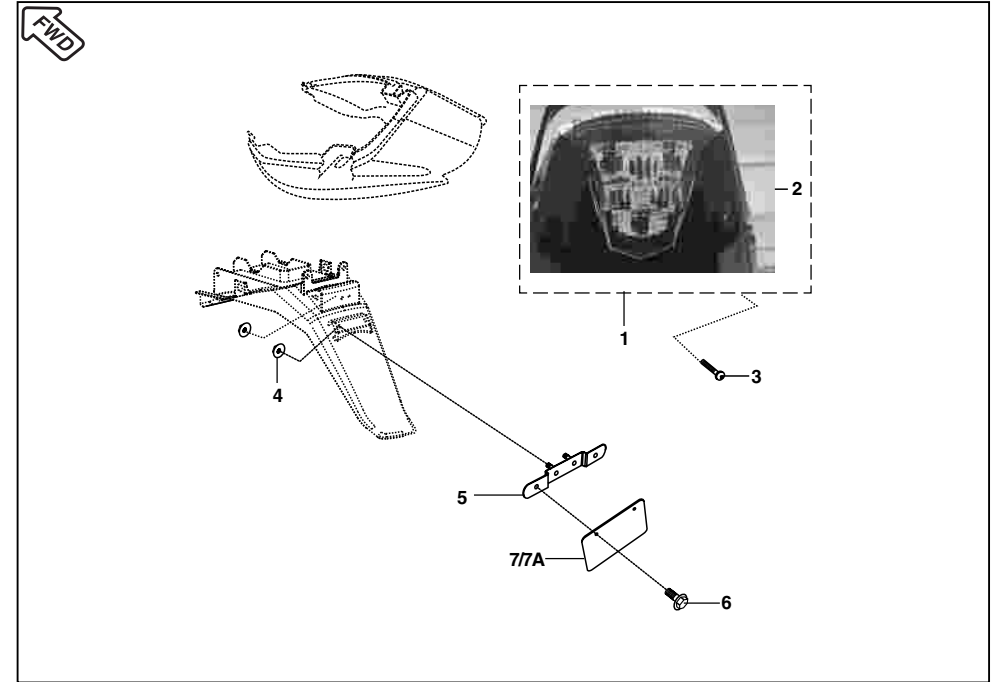
No.	Part No.	Description	42A	42B	Remarks
			ES	KS	
1	JB 4010 11	Head Lamp Without Bulb	1	1	
2	39 1778 02	Self Tapping Screw	8	8	
3	CL 2010 23	Lamp 12V 35/35W-HS1	1	1	
4	DJ 2010 72	Lamp 12V 5W	2	2	
5	39 2141 24	Washer	4	4	
6	JB 1812 10	Cowling	1	1	
7	DF 1810 98	Bolt	4	4	
8	JB 1812 11	Wind Shield	1	1	
9	DL 1810 10	Well Nut	4	4	
10	DJ 1810 65	Clip Nut	2	2	
11	39 0716 01	Screw	2	2	
12	39 1553 04	Flange Bolt	4	4	
13	DS 2010 36	Head Lamp Bulb Clip	1	1	
14	DS 2010 39	Head lamp Harness Branch	1	1	
15	JB 1812 13	'B' Monogram	1	1	On Wind shield



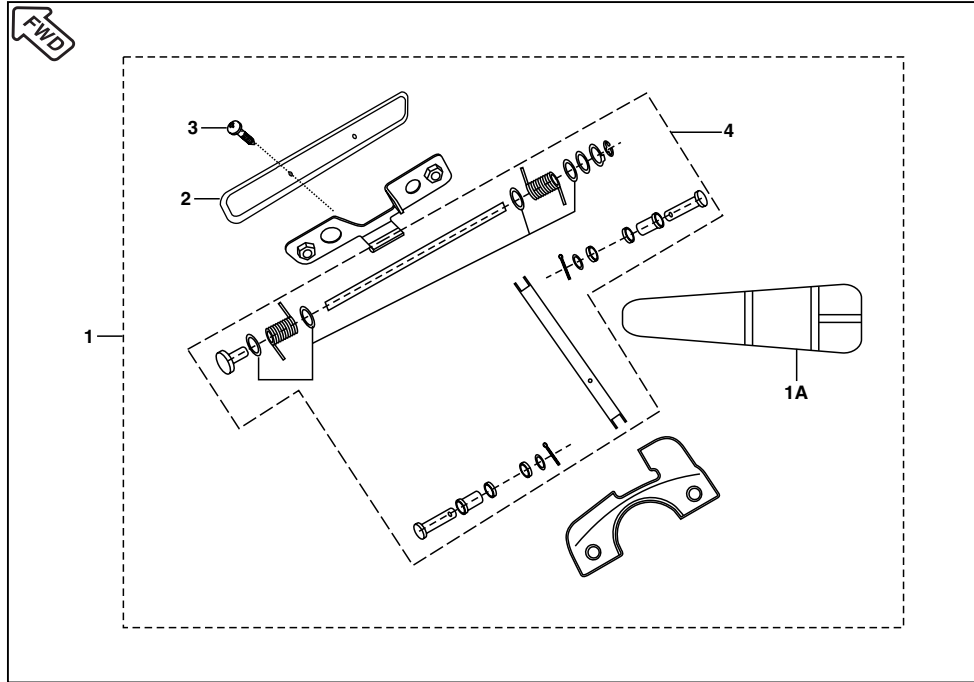
No.	Part No.	Description	42A	42B	Remarks
			ES	KS	
16	JB 1510 08	Head lamp mtg. bkt. LH	1	1	
17	JB 1510 09	Head lamp mtg. bkt. RH	1	1	
18	JB 1510 12	Grommet fairing mounting	4	4	
19	JB 1510 13	Sleeve fairing mounting	4	4	
20	JB 1812 14	Packing fairing	1	1	
21	JB 4010 20	Cap for head lamp bulb holder	1	1	



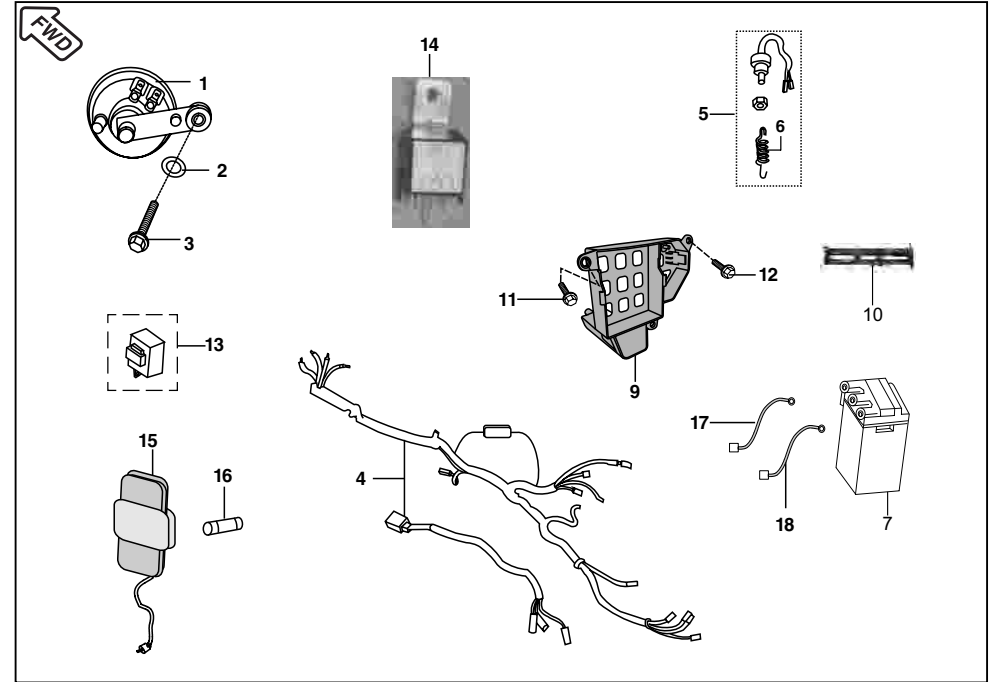
No.	Part No.	Description	43A	43B	Remarks
			ES	KS	
1	JB 4010 06	Blinker front LH	1	1	
2	JB 4010 07	Blinker front RH	1	1	
3	JB 4010 08	Blinker rear LH	1	1	alt. JB401007
4	JB 4010 09	Blinker rear RH	1	1	
5	GH 2010 12	Lamp 12V 10W	4	4	
6	39 1970 15	Hex nut / flange	2	2	



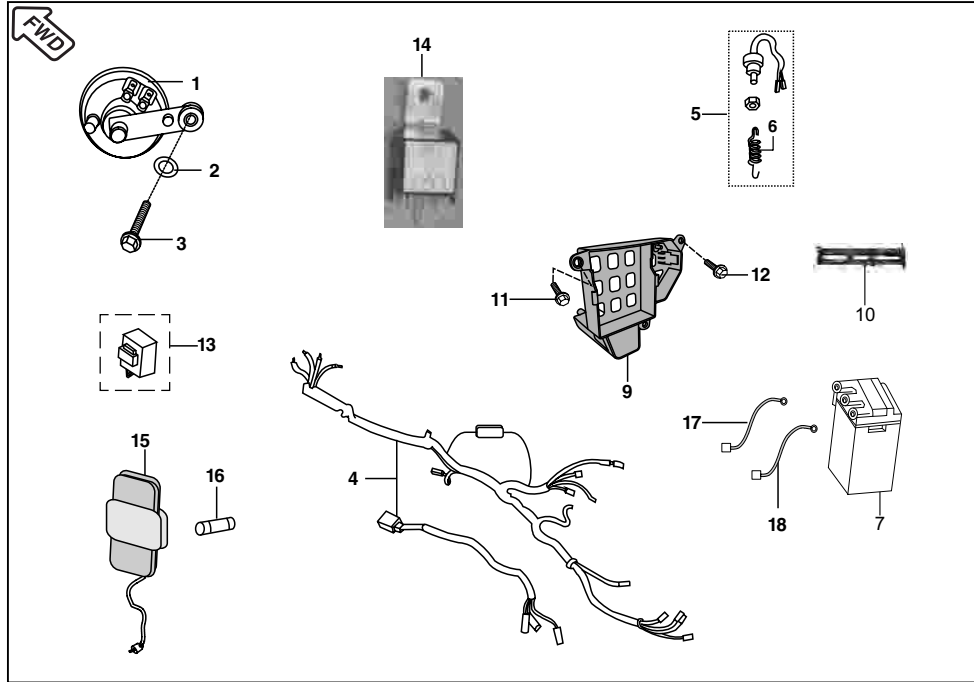
No.	Part No.	Description	44A	44B	Remarks
			ES	KS	
1	JB 4010 01	Tail light with Lamp	1	1	
2	DK 2010 24	Lamp Assly. for Rear No. Plate	1	1	
3	59 0200 01	Screw Tapping	4	4	
4	39 2124 15	Flange Nut	2	2	
5	DJ 1610 72	Bracket Rear No. Plate	1	1	
6	39 2476 04	Bolt flange	2	2	
7	DP 1611 45	Number plate Rear	1	1	
7A	DF 1612 52	Rear Number Palte	1	1	For Export N.I.



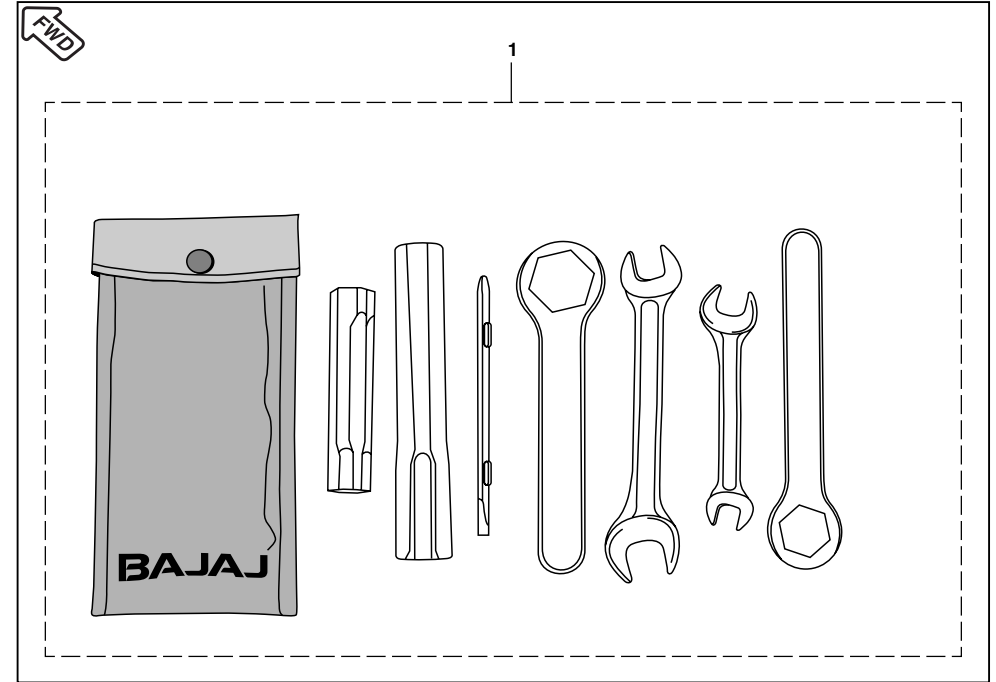
No.	Part No.	Description	45A	45B	Remarks
			ES	KS	
1	JB 2328 17	Number Plate Assly.	1	1	Without mtg. screw (Inclusive JB232812)
1A	JB 2328 27	Bkt For Fixed Number Plate	1	1	For Export
2	DP 1611 44	Number plate front	1	1	
2A	JB 2328 25	Front Number Plate	1	1	For Export
3	39 1783 01	Truss Screw (For Fr. No. Plate)	2	2	
4	JB 2328 12	Number plate kit	1	1	(Inclusive JB232826) N.I.
5	JB 2328 26	Front number plate sub. assly.	1	1	N.I.
6	JB 2328 28	Damper Front Number Plate	1	1	For Export N.I.
7	39 1944 04	Bolt	3	3	For Export N.I.
8	39 1783 01	Screw	2	2	For Export N.I.



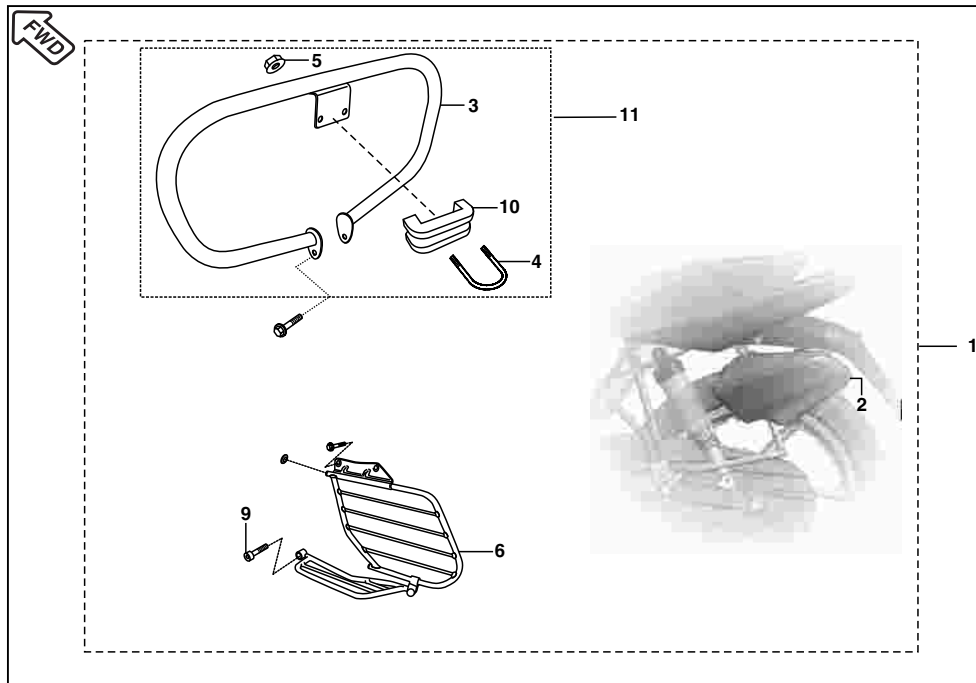
No.	Part No.	Description	46A	46B	Remarks
			ES	KS	
1	JB 4016 00	Horn with Stay	1	1	
2	39 1507 11	Plain Washer	1	1	
3	39 1689 04	Flange Bolt	1	1	
4	JB 4022 04	Wiring Harness	1	--	Separate capacitor and regulator can be till 1st week of Dec. 07
	JB 4022 05	Wiring Harness	1	--	Intrigal capacitor with regulator from 2nd week of Dec. 07
	JB 4022 01	Wiring Harness	--	1	
5	DS 2010 29	Rear Brake Switch assly.	1	1	
6	DS 1910 07	Spring Brake Switch	1	1	
7	DS 2010 81	Battery 5AH	1	--	
	DS 2010 82	Battery 5AH Dry Battery MF	1	--	For Export
	31 2010 27	Battery 2.5 AH	--	1	
8	JB 4010 13	Head lamp controller	1	1	N.I.
9	JA 4018 00	Case Battery	1	--	
	JA 4018 02	Case Battery	--	1	
10	JA 4018 01	Band Battery	1	--	
	JA 4018 03	Band Battery	--	1	



No.	Part No.	Description	46A	46B	Remarks
			ES	KS	
11	DS 1612 24	Stepped Bolt	2	2	
12	JK 1110 27	Stepped Bolt	1	1	
13	DS 2010 25	Assly DC flasher	1	1	
14	AP 2010 29	Starter Relay /	1	1	
15	30 2011 04	Fuse box Assly.	1	1	
16	30 2010 85	Fuse	4	4	
17	DS 2010 22	Cable assly. (Battery to St.Relay)	1	1	
18	JA 4022 02	Cable assly. (Battery to Earth)	1	1	
19	DK 2010 36	Capacitor	1	1	N.I.



No.	Part No.	Description	47A	47B	Remarks
			ES	KS	
1	JA 2310 00	Tool kit	1	1	



No.	Part No.	Description	48A	48B	Remarks
			ES	KS	
1	36 JA00 01	Saree / Leg Guard kit with hardware	1	1	
2	JB 2312 05	Utility Box Comp.	1	1	
3	JB 2312 01	Leg Guard	1	1	
4	JA 2312 01	Hook Leg Guard	2	2	
5	39 0798 15	Nut Hexagon with flange	2	2	
6	JB 2312 00	Saree Guard	1	1	
7	39 0589 15	Nut Hexagon weld	3	3	N.I.
8	39 2228 15	Nut domed cap	1	1	N.I.
9	39 2495 04	Bolt Hexagon	1	1	
10	JA 2312 02	Leg Guard Spacer	1	1	
11	JB 2312 02	Leg Guard Kit	1	1	

Sr. No.	Kit Part No.	Kit Description	Consisting of Following Parts		
			Part No.	Description	Qty./Kit
1	36JA0002	Valve kit	JA511200	Valve intake	1
			JA511201	Valve Exhaust	1
2	36JA0003	Valve Repair Kit	28101129	Seat Spring	2
			39201719	Seal Oil	2
			JA511202	Spring washer	2
			JA511203	Retainer valve spring	2
			DG101029	Collet	4
3	36JA0004	Chain Guide Kit	JA541013	Guide Chain Slack side	1
			JA521002	Guide Chain Tight side	1
4	JA521207	Set Piston Ring	JP521201	Ring Piston (Second)	1
			JP521202	Ring Piston (Oil)	1
			JP521203	Ring Piston (Piston)	1
5	36JA0010	Set Drive Driven	JA531010	Gear Primary Drive	1
			JA551401	Housing	1
6	36DU1007	Boss Kick Kit	30101233	Boss Kick	1
			30101234	Spring	1
			30101236	Ball Steel	1
			30101235	Pin	1
			39085517	E - Type Circlip	1
7	JA 5812 41	Needle jet kit	JA 5812 22	Needle jet	1
			JA 5812 26	Jet needle	1
			JA 5812 31	Jet holder	1
			DD1210 54	E ring	1
8	JA 5812 42	Air Screw Kit	JA581236	Screw - Air (Adjust)	1
			24121064	Spring - Screw Air	1
			24121062	"O" ring	1
			16121032	Washer	1
9	JA581243	Idling screw kit	JA581230	Adjuster	1
			CB121044	Sping	1
			24121062	"O" ring	1
			24121063	Washer	1
10	JA581244	Jet Kit	24121360	Pilot jet	1
			24121367	Main jet	1